

Coordinates

Survey of items

No.	Item		
91-86121	Cover of rear seat cushion in range of seat corrugated (fabric lining only)	B 17
91-86122	Clattering noises on rough road with rear seats not taken	B 17
91-87011	Driver's seat cushion too soft or worn out	D 17
91-87071	Noises at driver's and front passenger seats	D 17
91-87111	Driver's seat cushion worn out (vehicles from production period 01/87-08/87)	...	E 17
91-88011	Noises from mechanical seat adjusting device when driving around bends	E 17
91-88012	Head restraint can no longer be removed following wrong installation	G 17
91-88021	Noises from seat cushion when driving around bends	G 17
91-89051	a) Driver's seat cushion floats or tilts laterally when driving around bends b) Driver's seat cushion cover damaged on side in the area of tilt adjustment mechanism	G 17
91-89071	Noises on tilt adjustment mechanism	H 17
91-89072	Scratching noise in upper backrest range when backrest upholstery is energetically depressed	J 17
91-89073	Noises from manual seat height adjusting device	K 17
91-89074	Noise from seat adjuster when driving around bends	K 17
91-90041	Welt on driver's seat cover produces noises (only fabric/black trim of production period 01/02/90)	K 17
91-88042	Belt positioner fails to extend or to return	L 17
91-89075	Pulse display 10 without airbag release	O 17
91-89111	Clattering noises on front passenger airbag unit	O 17
91-83041	Airbag unit cannot be screwed off	P 17

91 Driver's seat

91-87011 Driver's seat cushion too soft or worn out.

Cause

Spring core in cushion frame too soft.

Remedy

Install reinforced rubber hair support.

Note

If this complaint shows up on a reinforced driver's seat exchange cushion frame of vehicles manufactured prior to 12/86 for a standard cushion frame. Simultaneously install the new, reinforced rubber hair support.

Production breakpoint: 12/86

Parts

Part no.

Reinforced rubber hair support for driver's seat with fabric, velours or tex leather cover	124 910 14 50
--	---------------

Reinforced rubber hair sup. for driver's seat with leather cover	124 910 12 50
--	---------------

Cushion frame (with tilt adjustment)	124 910 19 22
--------------------------------------	---------------

Cushion frame (without tilt adjustment)	124 910 18 22
---	---------------

Clip (for leather 11 each; for fabric, velours and tex leather 8 each)	201 988 39 78
--	---------------

91 Front seats

91-87071 Noises at driver's and front passenger seats.

Cause

Several noise sources on seat cushion and backrest.

Remedy

Check driver's seat according to Service Information 91/37 and perform the remedy measures named there.

Note

Replace damaged standard rubber hair support by a new standard rubber hair support.

If required, clarify with customer (body weight > 90 kg) whether subsequent installation of a reinforced rubber hair support would make sense.

Standard improved since: 12/86



91 Driver's seat

91-87111 Driver's seat cushion worn out (vehicles from production period 01/87-08/87).

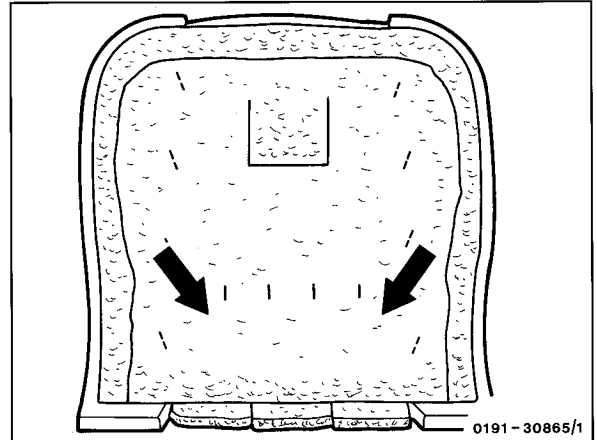
Cause

Bottom layer of standard rubber hair support parting from upper layer (Fig., arrows). Supplier's fault.

Remedy

Replace rubber hair support.

Standard improved as of 09/87



91 Driver's seat

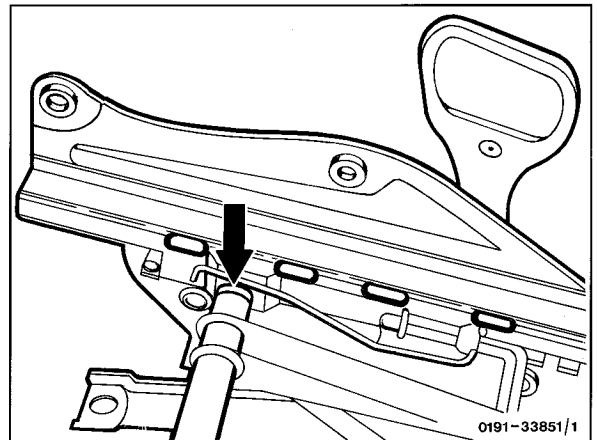
91-88011 Noises from mechanical seat adjusting device when driving around bends.

Cause

Plastic bushings in transverse tube of longitudinal adjusting lever are causing noises.

Remedy

Lubricate plastic bushings left and right on removed seat.



91 Rear seat system

91-88012 Head restraint can no longer be removed following wrong installation.

Model 124
T-sedan

Cause

Operating fault, head restraint arm binds in guide rail, which has no unlocking button.

Remedy

Pull out head restraint by jerking with increased force in upward direction, pushing head restraint forward.

Standard production modified since 10/87.

Detent in second guide rail removed.

91 Driver's seat

91-88021 Noises from seat cushion when driving around bends.

Cause

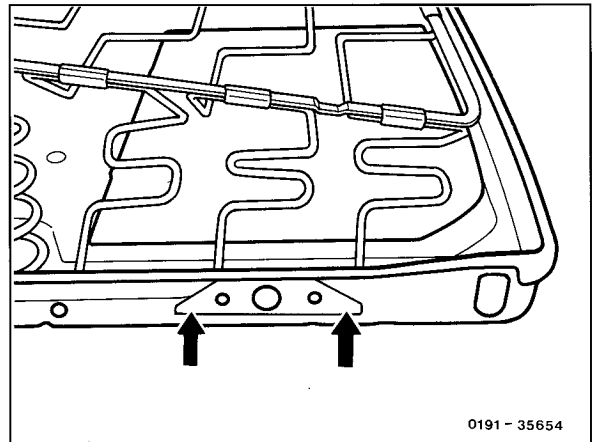
Reinforcing panels of cushion frame are rubbing against seat adjuster.

Remedy

Straighten projecting ends of the reinforcement plate, lightly file or grind if necessary and grease with door lock grease, part no.

001 989 13 51 10.

Modification of standard component in preparatory stage.



91 Driver's seat

- 91-89051
- a) Driver's seat cushion floats or tilts laterally when driving around bends.
 - b) Driver's seat cushion cover damaged on side in the area of tilt adjustment mechanism.

Cause

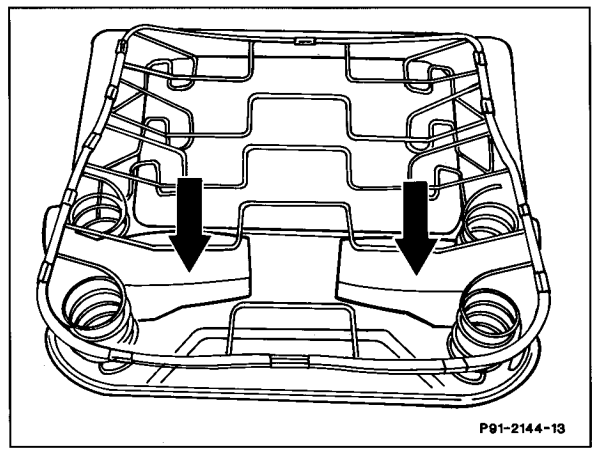
- a) Inadequate lateral guiding of cushion frame.
- b) Cover fabric is jammed in at the inclination adjusting device with heavy load on the seat cushion.

Remedy

- a) and b) Install foam material wedge (2 off) left and right in the cushion frame.

Part no. 124 910 16 75

Production breakpoint: 04/89 phased-in.



91 Driver's seat

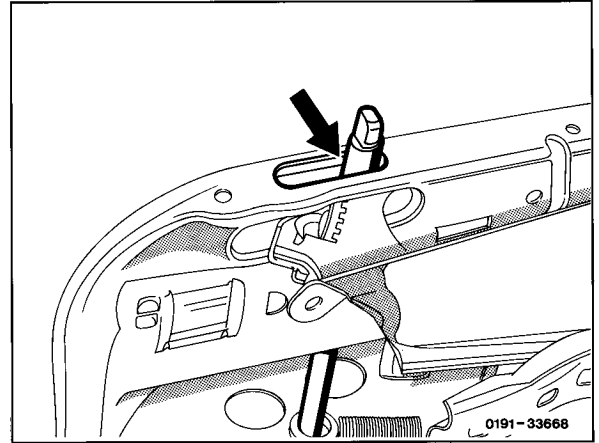
91-89071 Noises on tilt adjustment mechanism

Cause

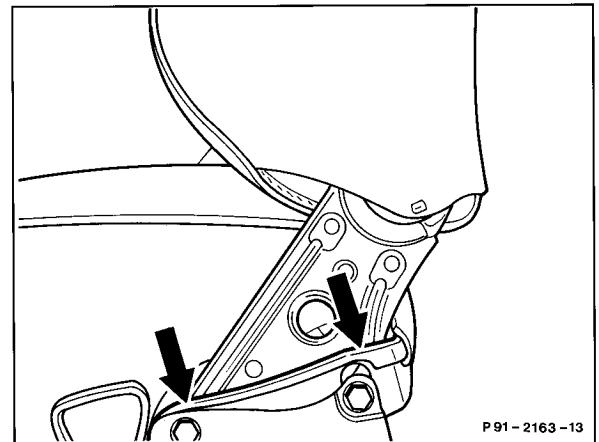
- Tilt adjusting shaft rubs in oblong hole of cushion frame, front.
- Backrest connection rubs against cushion frame or seat adjuster, rear.

Remedy

- Grease both oblong holes with MB door lock lubricating grease, part no. 001 989 13 51 10. Actuate tilt adjusting shaft several times.



- Lubricate backrest connection (arrows) left and right. For this purpose, force off lining of backrest fitting only. Actuate tilt adjusting shaft several times.



91 Driver's seat

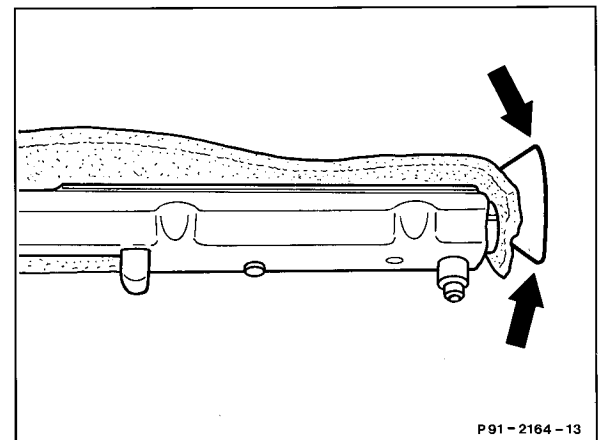
91-89072 Scratching noise in upper backrest range when backrest upholstery is energetically depressed.

Cause

Plastic funnel of headrest guide strip rubs against rubber hair mat.

Remedy

Remove headrest guide strip. Mask sharp edge of plastic funnel with self-adhesive felt (40 x 2), part no. 001 983 23 10 (arrows).



91 Driver's seat

91-89073 Noises from manual seat height adjusting device.

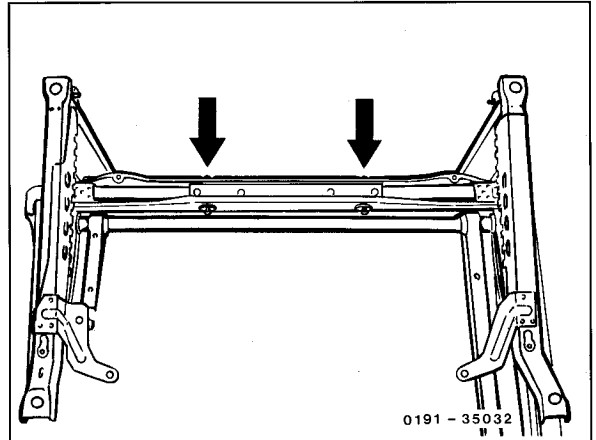
Cause

Lever for seat height not lubricated at pivots (2 bolts).

Remedy

Lubricate bolts on cross member.

Production breakpoint: 11/88.



91 Driver's seat

91-89074 Noise from seat adjuster when driving around bends.

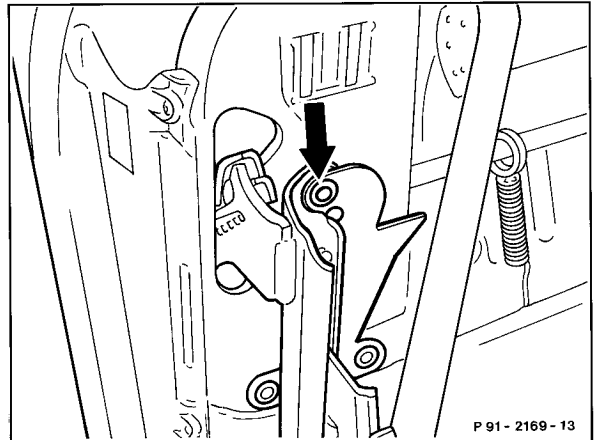
Cause

Rivet connection on front leaf spring loose.
Reason: Hole diameter for rivet too large.

Remedy

Install modified leaf spring, part no. 124 919 03 64/04 64 (with hole diameter 6.5 mm), using rivet 910002 006104. In an emergency, the rivet can also be replaced by a bolt M6 x 10 and nut M6.

Production breakpoint: 04/89.



91 Driver's seat

91-90041 Welt on driver's seat cover produces noises (only fabric/black trim of production period 01/02/90).

Cause

Core in welt produces noises due to poorly matched materials.

Damage code for warranty/goodwill claim: 91 075 36

91 076 36

Remedy

Remove core from welt with flat pliers.

91 Belt positioner

- 91-88042
- a) Belt positioner fails to move out every time the door is closed.
 - b) Belt positioner partially or completely fails to extend with front passenger door not actuated.
 - c) Driver's and front passenger belt positioners fail to extend.
 - d) Driver's and front passenger belt positioners fail to return.
- Typ 124
Coupe

Cause

a) No door open/closed identification. This happens only during the following sequence:

Open door – ignition On – close door – belt positioner extends – buckle seat belt – belt positioner retracts – ignition remains On – open door – take off belt – close door – belt positioner does not extend.

After the belt is unbuckled, the door is closed only, there is no new door open/closed identification.

b) Door open/closed identification is retained in memory. This happens only during the following sequence: Open doors – ignition On – close driver's and front passenger door – belt positioners extend – buckle belts – belt positioners retract – unbuckle belts – open doors – ignition Off – close doors – open driver's door – ignition On – close driver's door – belt positioners extend – buckle driver's belt – driver's belt positioner retracts – front passenger belt positioner retracts after approx. 30 s – ignition Off – unbuckle belt – open driver's door – close driver's door – open driver's door – ignition On – close driver's door – driver's belt positioner extends – front passenger belt positioner does not extend.

Remedy

None.

At the moment, conditions as described above apply to series vehicles.

c) Driver's and front passenger belt positioners fail to extend.

Remedy

Check microswitch, replace belt positioners if required.

Terminal	Component		Actuation
31 Door contact	Connector on control unit	BU11	Interrupted with door closed
31 Belt buckle	Connector on control unit	BU4	Interrupted with belt buckled up
15	Connector on control unit	BU10	Ignition: ON
30	Connector on control unit	BU2	–
31	Connector on control unit	BU8	–
31	Connector on belt positioner	BU2	–

If no fault can be found, continue testing according to points 1 - 5.

1. Plug connection belt buckle disconnected, interruption, belt buckle defective.

Remedy

Check belt buckle, replace if required.

2. Control unit, relay sticks, circuit board burnt.

Remedy

Replace control unit.

3. Door contact switch connection with ground short.

Remedy

Eliminate ground short.

4. Jacks widened.

Remedy

Replace jacks.

5. Microswitch of belt positioner defective.

Remedy

Check microswitch, replace belt positioner if required.

d) Driver's or front passenger belt positioner does not retract.

Remedy

Carry out test according to the above table.

If no fault can be found, continue testing according to items 1 – 4.

1. Overload switch sticks, belt positioner fails to retract, provided the belt is not buckled up, after 30 seconds.

Remedy

Replace belt positioner.

2. Control unit relay sticks, circuit board burnt.

Remedy

Replace control unit.

3. Jacks widened.

Remedy

Replace jacks.

4. Microswitch of belt positioner defective.

Remedy

Check microswitch, replace belt positioner if required.

If no fault can be found, the belt positioner can be moved into neutral position only by switching ignition "Off – On".

91 Airbag

91-89075 Pulse display 10 without airbag release.

Cause

Control unit sensitively reacting to ground potential difference.

Damage code for warranty/goodwill claim: 82 485 73

Remedy

Replace control unit (production date driver-airbag control unit as of 90 T 002, driver-front passenger airbag control unit as of 90 T 002) and attach ground cable shoe of airbag harness at lowest point.

91 Airbag

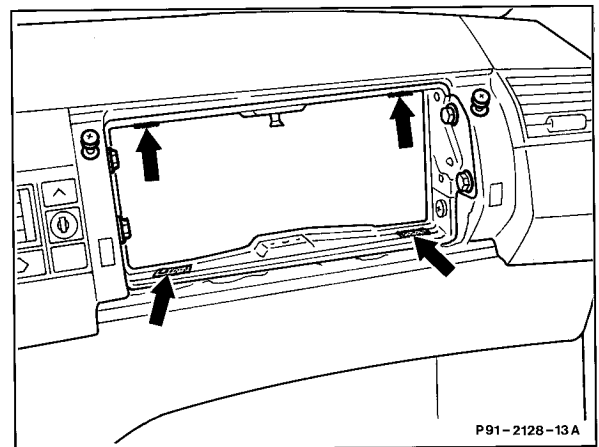
91-89111 Clattering noises on front passenger airbag unit.

Cause

Front passenger airbag unit knocks against installation frame.

Remedy

Remove front passenger airbag unit (pay attention to safety prescriptions). Cut out 4 felt strips approx. 20 x 25 mm from self-adhesive felt (40 x 2), part no. 001 983 23 10, and glue to inside of installation frame (arrows).



91 Airbag and belt tensioner

91-83041 Airbag unit cannot be screwed off.

Cause

Intorx screw head rounded off, cannot be unscrewed.

Remedy

Do not drill out screw (airbag unit may be damaged):

Call KD, plant Sindelfingen, telephone (0 70 31) 90 - 21 93.