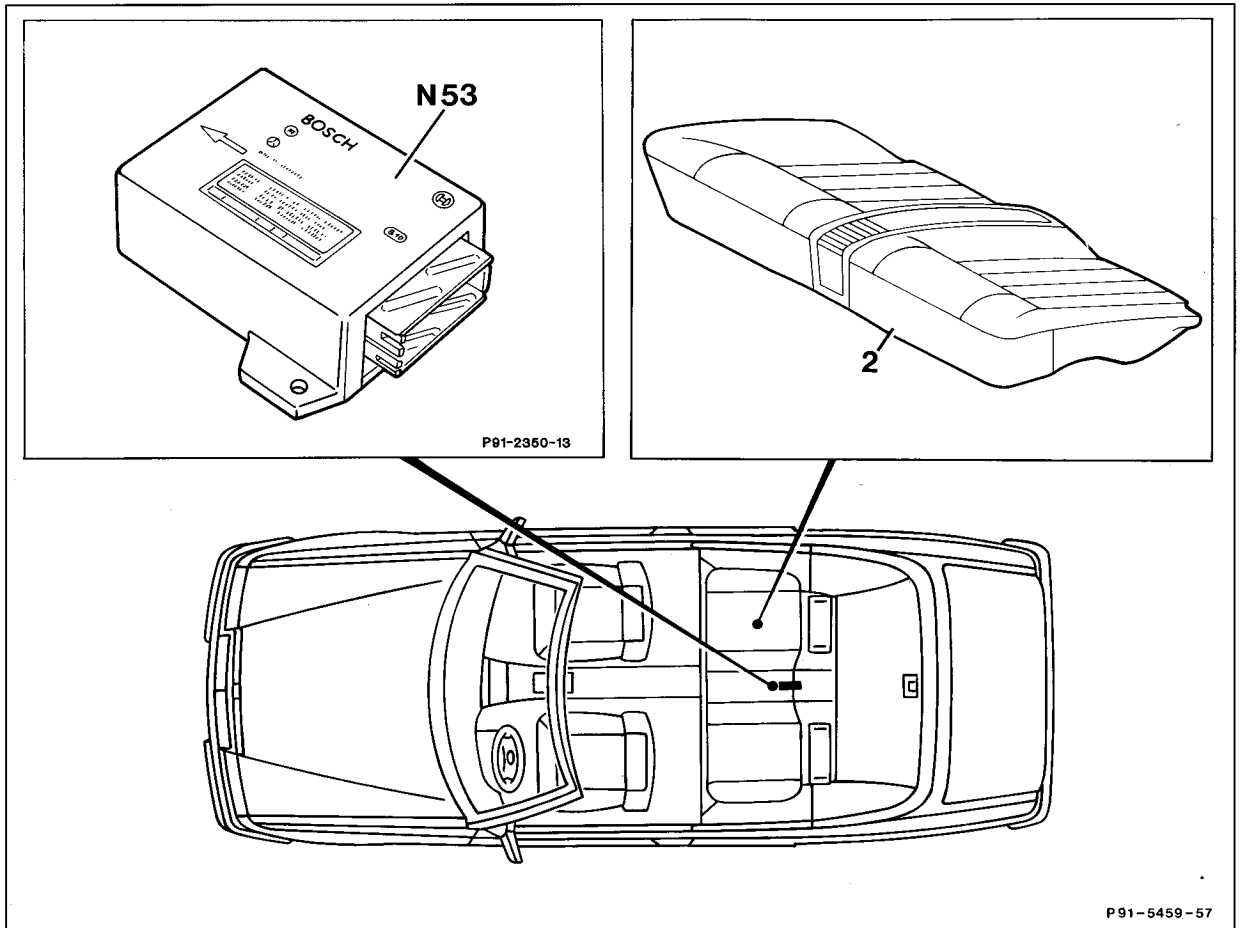


91-840 Removal and installation of roll-over bar control unit

Preliminary work:

Rear seat bench removed (91-170)

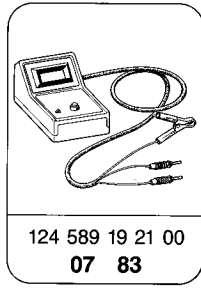
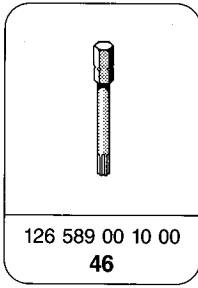


Roll-over bar	extend, retract.
Ignition	switch off.
Ground lead on battery	disconnect, connect.
Plug connector on control unit (N53)	disconnect with installation and pulling tool, connect.
Torx screws	screw out with special tool, screw in (10 Nm).
Control unit	remove, install.

Note

When replacing the control unit check the system via pulse readout. Connect pulse counter (socket 9). If the pulse readout is 1, no fault is present in the system. Check roll-over bar for proper function (91-830).

Special tools



Commercially available tools

Order no.

e.g. Company

Ratchet (1/4")

415

e.g. Eduard Wille GmbH

Connector (1/4")

412

D-42331 Wuppertal
