

## A. Sedan

### Note

---

When reeling up belt, noises on automatic reel are functional noises.

In the event of a complaint, excessive noises can be eliminated by replacing the seat belt. Never use oil or grease to eliminate noises.

Likewise, do not disassemble the automatic reel, since the preloaded spring may cause accidents. Automatic reel which have been opened are no longer recognized as a warranty case.

### Complaint:

---

#### Buckle tongue on belt twisted

Fold belt as shown on illustration and pull buckle tongue over belt into normal position.



#### Belt buckle tongue stuck between rear door and wheelhouse (vehicles as of 09/89 only)

### Note

---

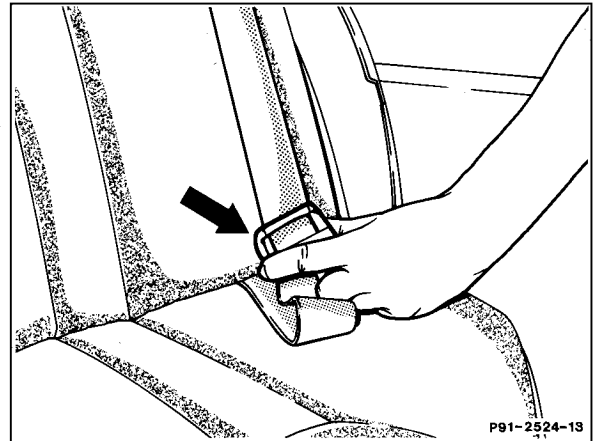
Modified rear safety belts were phased in starting in September 1990. When the belt is completely rolled up the buckle tongue on the modified rear seat belts is located directly above the seat cushion. This prevents the buckle tongue from getting into the wheelhouse. Moreover, the belt rolls up more easily.

If complaints are received regarding the way in which the rear seat belts roll up on vehicles produced earlier, proceed as follows:

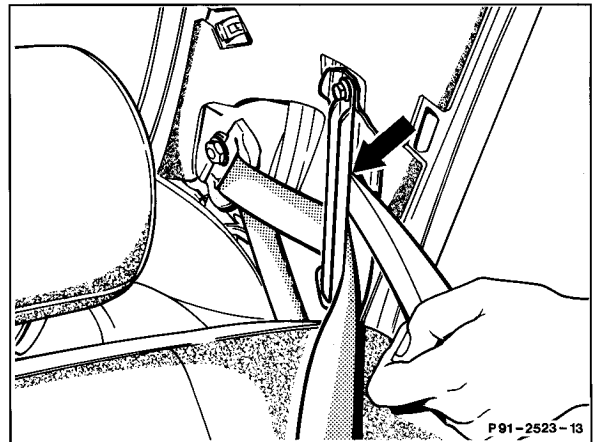
### Procedure

Check rear seat belts:

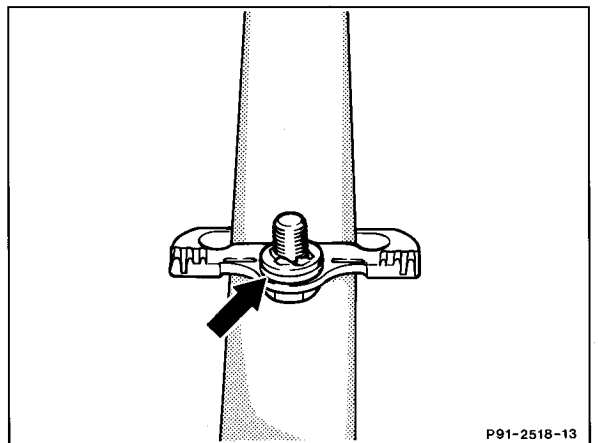
With the rear pillar trim installed pull buckle tongue down to seat cushion, then release; the seat belt should roll up automatically (arrow). If not, proceed as follows:



- 1 Remove trim on rear pillar (RI 68-449).
- 2 Measure gap between panel and bracket (nominal dimension: min. 1.7 mm), increase gap with plastic wedge, if required (arrow).
- 3 Check belt guide fitting for easy motion. If hard to move proceed with points 4 and 5 below.



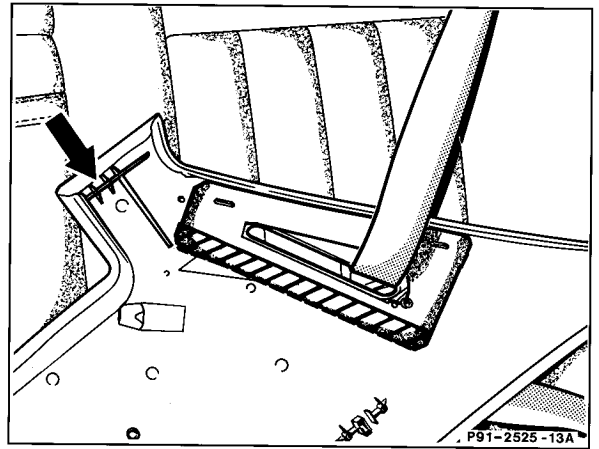
- 4 Unscrew belt guide fitting. Remove toothed washer on mounting bolt and turn over spacer below. Reinstall toothed washer and screw belt guide fitting back on (arrow).  
Tightening torque:  $35 \pm 10$  Nm



- 5 Check belt guide fitting for easy motion.

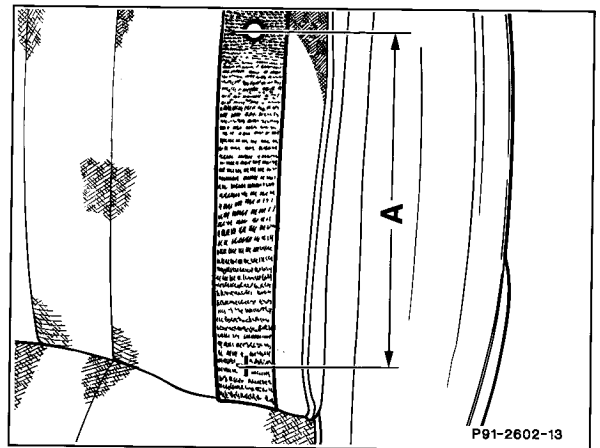
6 Cut out vapor seal on rear panel trim (shaded area) and remove reinforcement ribs (arrow).

7 Reinstall rear pillar trim.



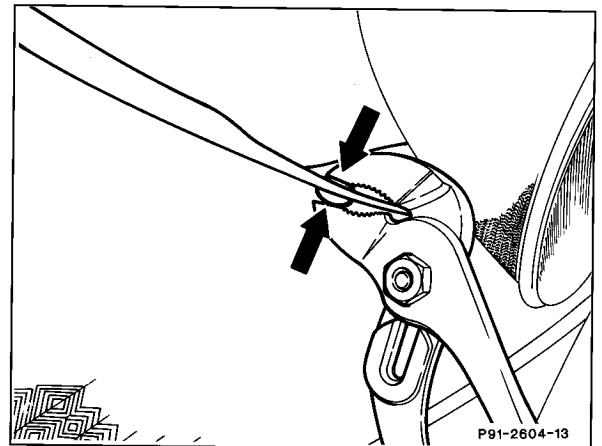
8 Measure downward 270 mm from previous plastic rivet and mark with chalk.

A = 270 mm



9 Insert new plastic rivet through belt webbing with tip toward front. Attach bottom section of rivet and press plastic rivet together with combination pliers or water pump pliers. The tip of the rivet should not extend beyond the bottom section of the rivet.

10 Press out and remove previous plastic rivet with plastic wedge.

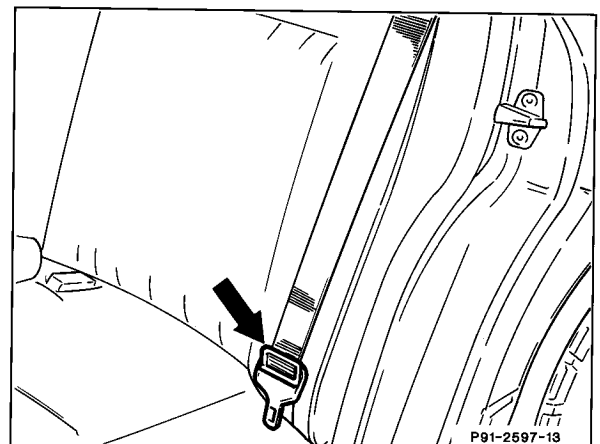


11 When the belt is rolled up completely the buckle tongue should be located directly above the seat cushion (arrow).

**Note**

It is necessary to move the buckle tongues down on both rear seat belts.

12 Check for proper function.

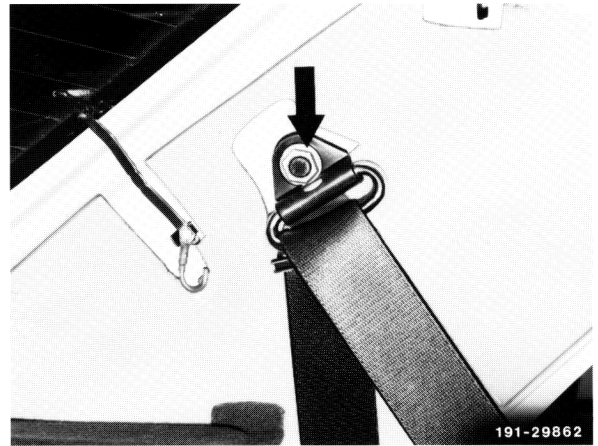


910767-510/3

## Removal, installation

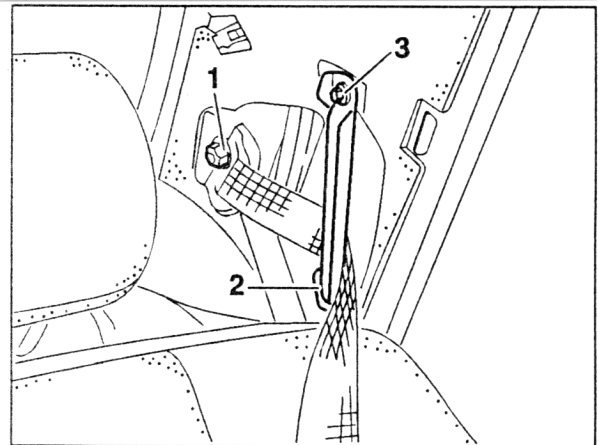
---

- 1 Remove rear backrest (91-170).
- 2 Remove trim on rear pillar (68-449).
- 3 Screw out bolt on belt guide fitting (35 Nm).



1st version

- 4 Screw out bolts (1 and 2).
- 5 Loosen bolt (3).
- 6 Remove belt guide fitting.
- 7 Unhook insulating mat on rear wall in area of belt reel.



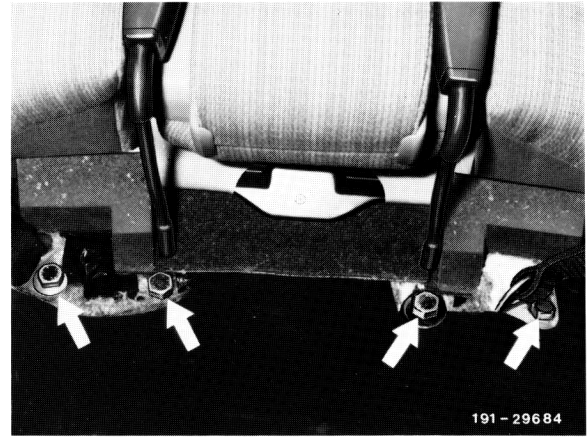
2nd version

- 8 Screw out bolt on belt reel and remove belt reel (35 Nm).

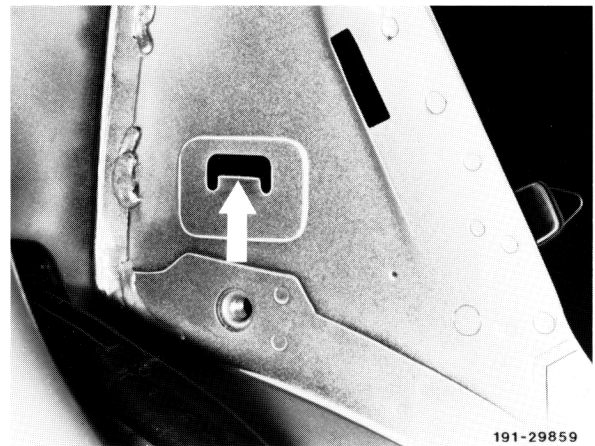


9 Screw out bolt on belt buckle and remove belt buckle (35 Nm).

10 Reinstall in opposite order.

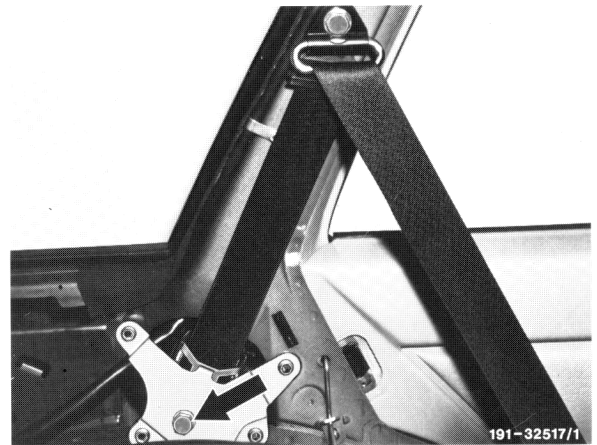


**Note:** When installing the belt reel ensure that it is seated properly in the detent (arrow).

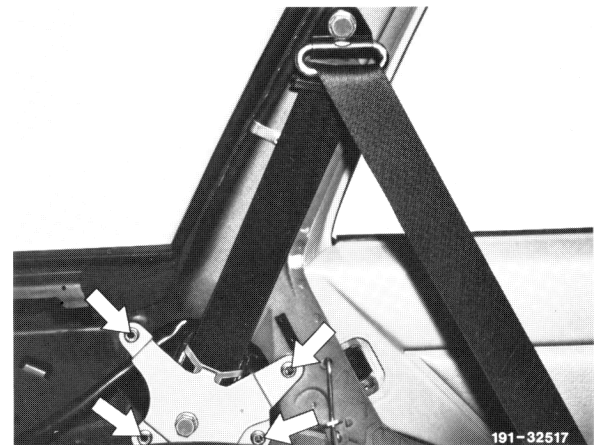


## B. T-sedan

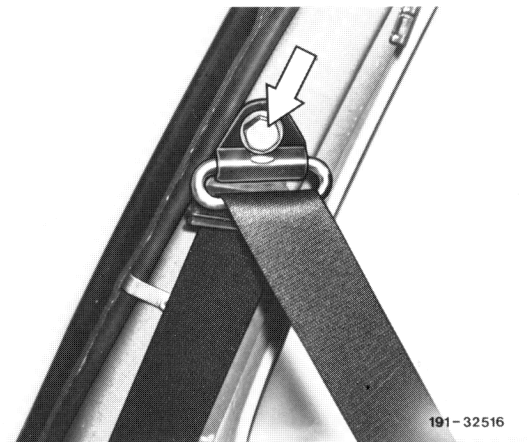
- 1 Remove and install trim on center pillar rear (68-475).
- 2 Remove and install trim in rear compartment (68-478).
- 3 Loosen screw for seat belt inertia roller on base plate.



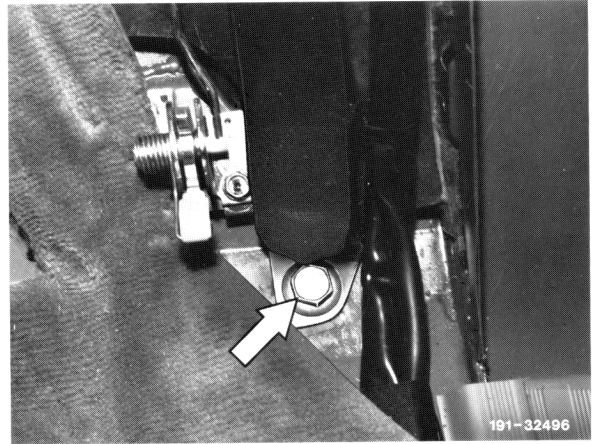
- 4 Unscrew screws (4 each) and remove seat belt inertia roller together with base plate.



- 5 Unscrew screw on belt guide fitting at top.



- 6 Unscrew belt end fitting on vehicle floor.
- 7 Unscrew base plate from seat belt inertia roller.
- 8 Pull belt strap out of cutout in center pillar trim and remove seat belt inertia roller.

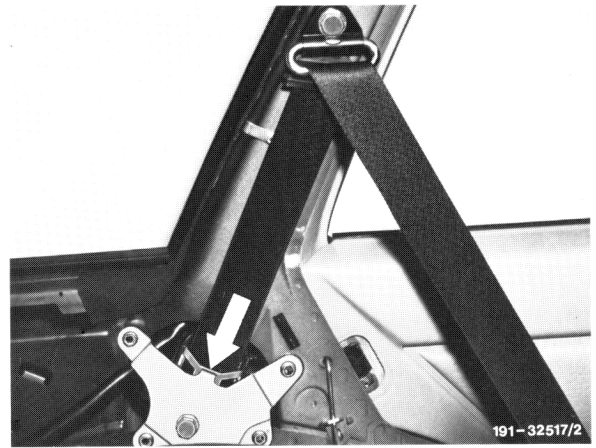


- 9 For installation proceed vice versa.

#### **Installation note**

---

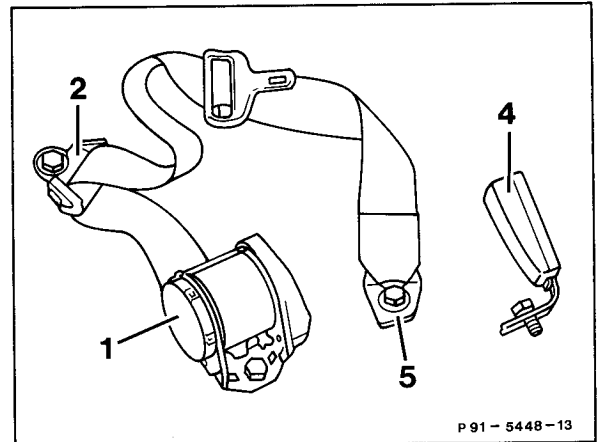
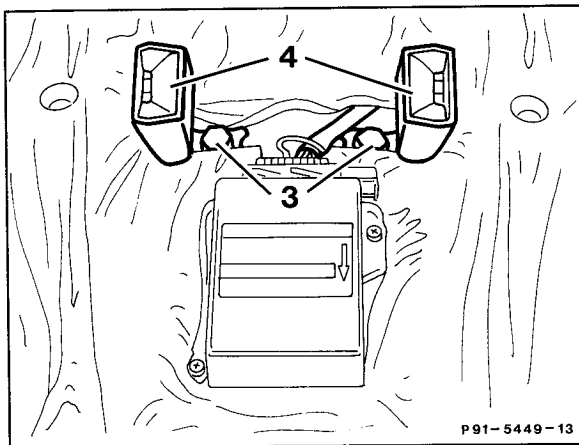
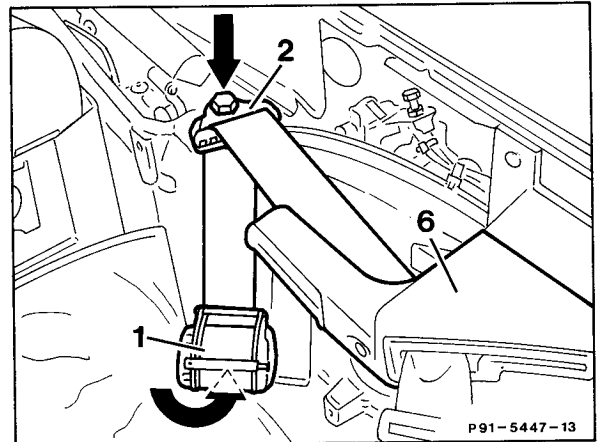
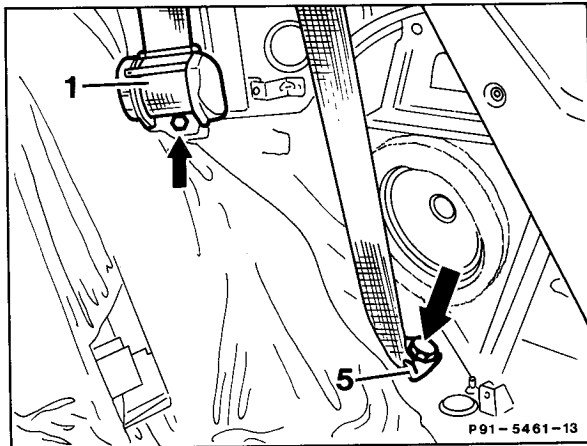
When installing seat belt inertia roller pay attention to perfect locking (arrow).



## C. Convertible

Preliminary work:

Removal and installation of side wall panelling (68-456)

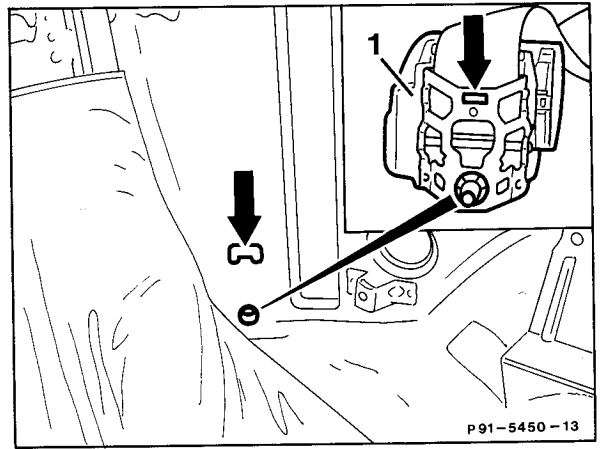


Bolt (arrow) on seat belt end fitting (5) .....	screw out, screw in (35 Nm, item 3).
Seat belt end fitting (5) .....	guide through side wall panelling (6).
Bolt (arrow) on seat belt inertia roller (1) .....	screw out, screw in (35 Nm).
Bolt (arrow) on guide fitting (2) .....	screw out, screw in (35 Nm, item 2).
Seat belt .....	remove completely together with seat belt inertia roller (1), install (item 1).
Bolt (3) on seat belt buckle (4) .....	screw out, screw in (35 Nm).
Seat belt buckle (4) .....	remove, install (item 1).
Function .....	check.



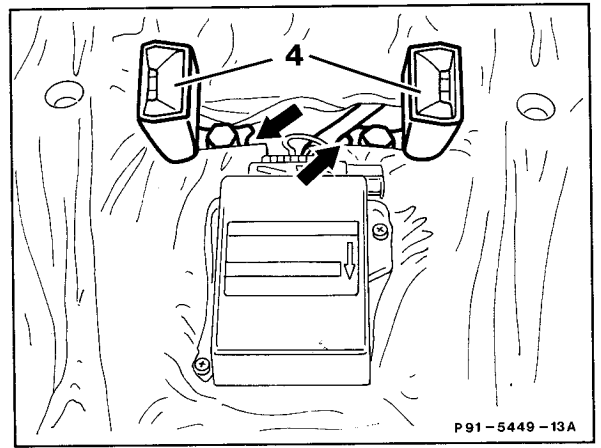
1 When installing the seat belt inertia roller (1) and seat belt buckle (4) ensure that the rotation lock engages in the components indicated.

Arrow = rotation lock  
Seat belt inertia roller



Arrow = rotation lock  
Seat belt buckle mount

2 Screw top seat belt guide fitting (2) on so that it can move.



3 Observe installation position of seat belt end fitting (5).

