

91-100 Removal and installation of driver's seat

Head restraint removed.

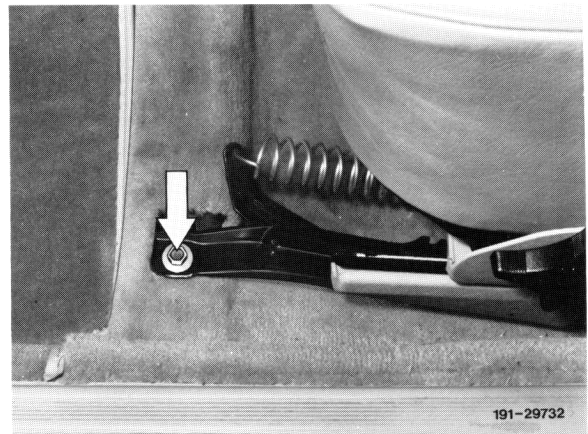
A. Sedan

Removal and installation

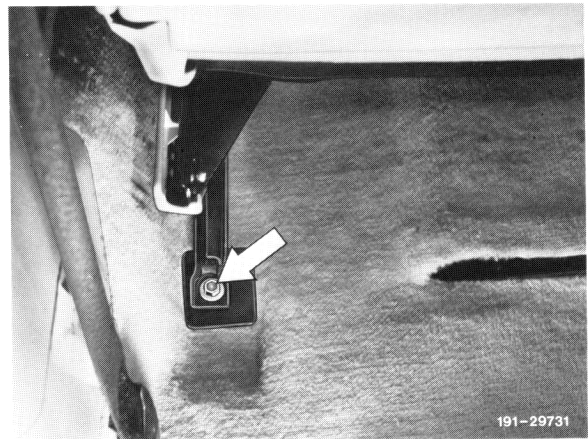
1 Slide driver's seat toward the rear and height adjusting device downwards.

2 Force off front cover with plastic wedge and unscrew front screws from both seat guide rails.

3 Slide driver's seat forward and height adjustment in upward direction.



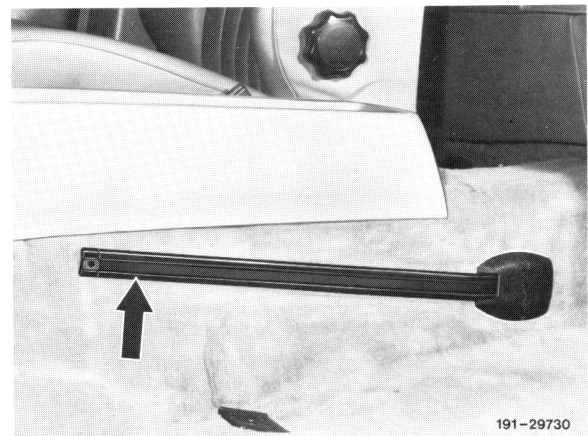
4 Remove screws at the rear on both seat guide rails.



5 Pull driver's seat forward out of sliding rail.

6 Remove driver's seat.

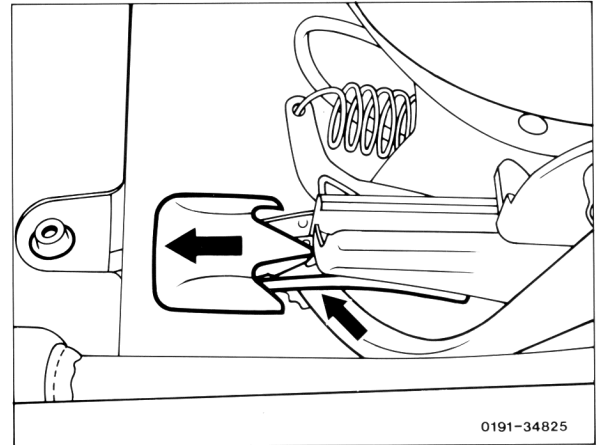
7 For installation proceed vice versa.



B. Coupe

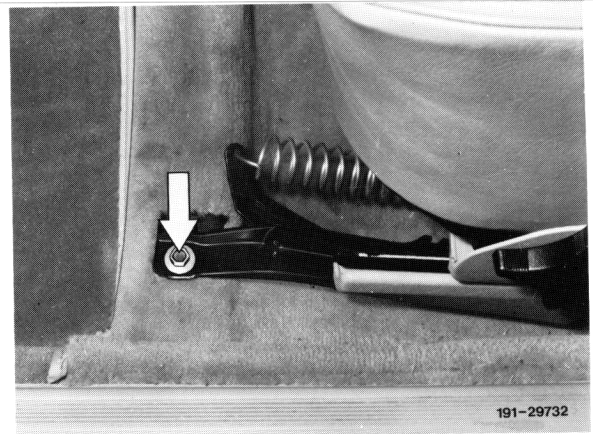
1 Slide driver's seat toward the rear and height adjusting device in downward direction.

2 Force off front cover by means of plastic wedge.

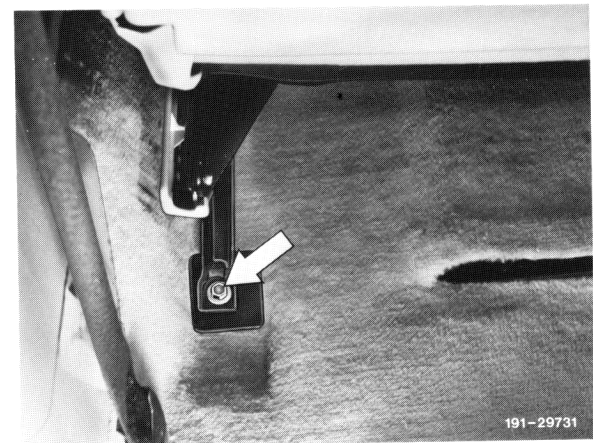


3 Unscrew front screw on both seat guide rails.

4 Slide driver's seat forward and height adjusting device in upward direction.

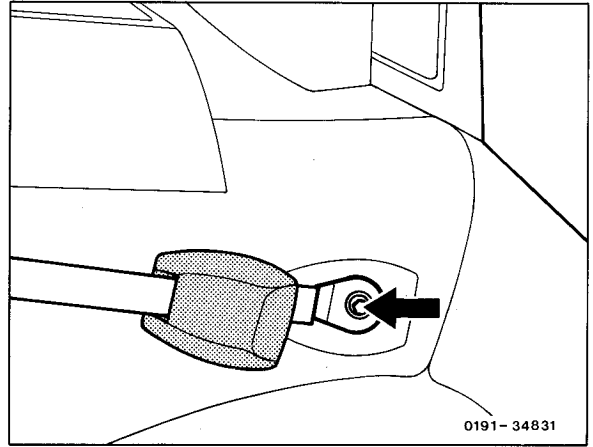


5 Unscrew rear screw on both seat guide rails.



6 Force off cover above guide rail and unscrew screws.

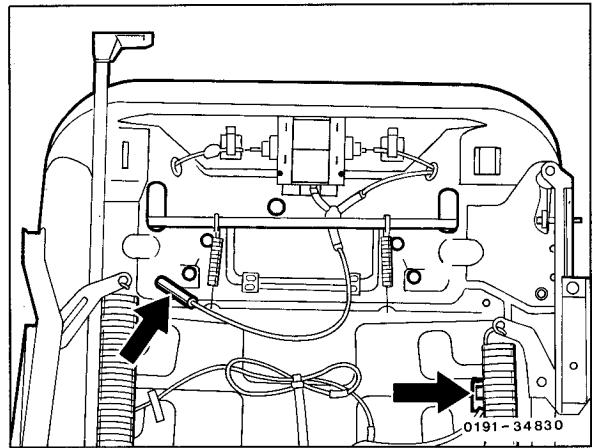
7 Pull slide rail toward the rear out of belt buckle.



8 Tilt driver's seat slightly toward the rear and separate electric plug connection as well as vacuum line. Open cable strap.

9 Remove driver's seat.

Electric plug connection and vacuum line (driver's seat removed)



10 Install driver's seat in vice-versa sequence.