

P46-5446-57

Removal of lock cylinder

- | | |
|---|---|
| Cover (37L), model 124 | Remove from the instrument panel, install. |
| Escutcheon (36a), model 201 | Remove, install using a small screwdriver. |
| Lock cylinder (36) | Turn into position "1" with key. |
| Disengaging wire (0100) | Press into the bores (arrows) and unlock the locking detents by overcoming the spring resistance. |
| Lock cylinder (36) with cap (36b) | Remove from steering lock (37). |

Key and disengaging wire (0100)

Remove from lock cylinder (36), remove cap (36b).

Installation of lock cylinder

Lock cylinder (36)

Install in the cap (36b), push in key and turn into position "1". Press lock cylinder (36) into the steering lock with key and cap (36b) until the cap (36b) engages (observe groove assignment).

Note

If the lock cylinder/key is notchy or binding, spray lock cylinder with lock cylinder grease. If the complaint cannot be eliminated, replace lock cylinder and key which has been in continual use.

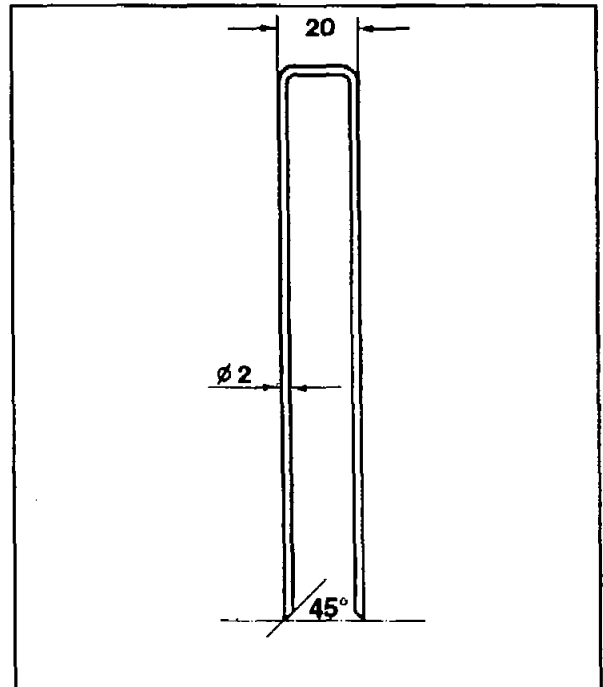
Lubricants

Lock cylinder grease

Part no. 001 989 26 51 10

Shop-made tool

Effective length of wire = 320 mm.



P46-5436-15