

L7

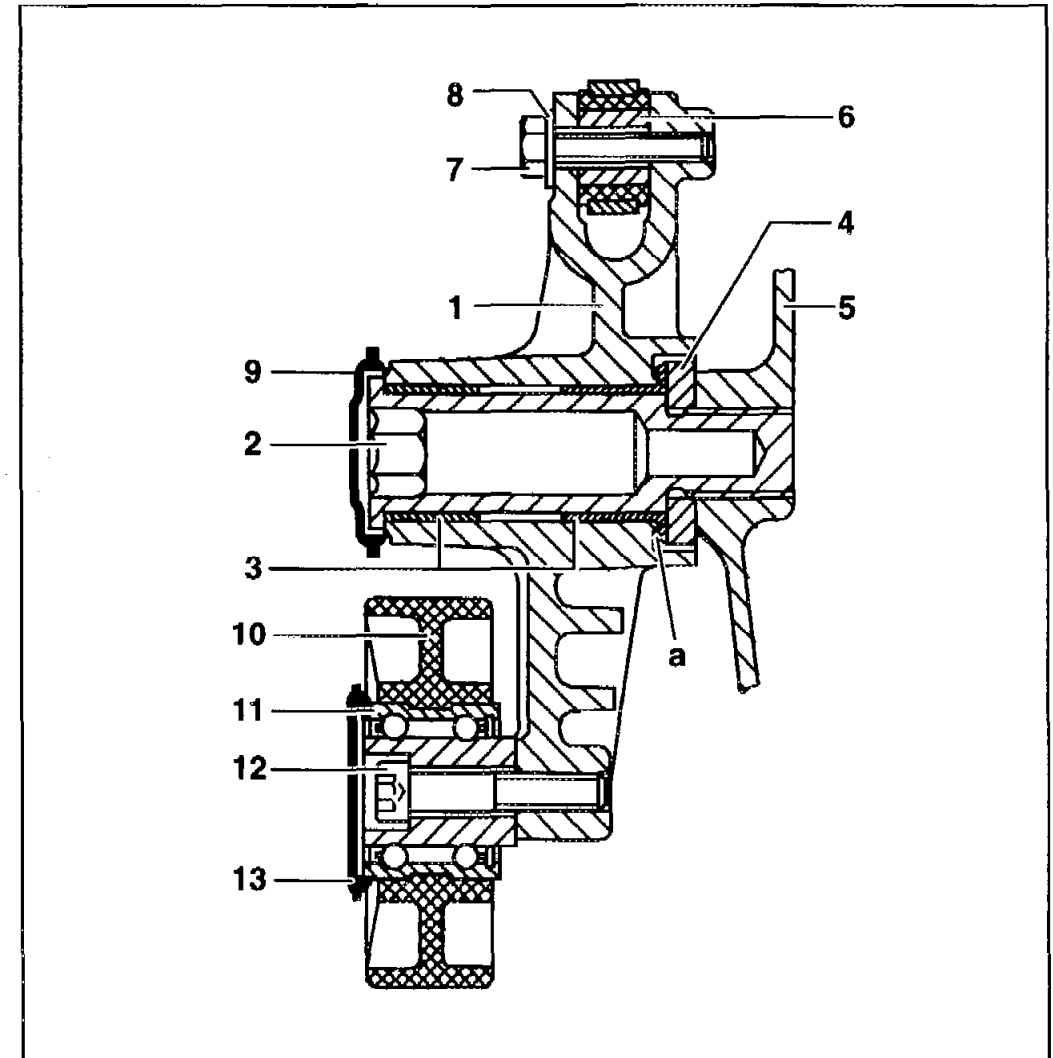
GF13.25-P-3200A

Poly V-belt tensioning device as-built configuration

23.1.98

ENGINE 602.982, 604, 605, 606

- 1 Tensioning lever
- 2 Bearing pin waf 17 mm
- 3 Bearing bush (2 in total)
- 4 Shim
- 5 Timing case cover
- 6 Shock absorber
- 7 Bolt
- 8 Washer
- 9 End cover
- 10 Tensioning pulley
- 11 Grooved ball bearing
- 12 Hexagon socket bolt (M8 x 40)
- 13 End cover
- a Seal





1
2
3