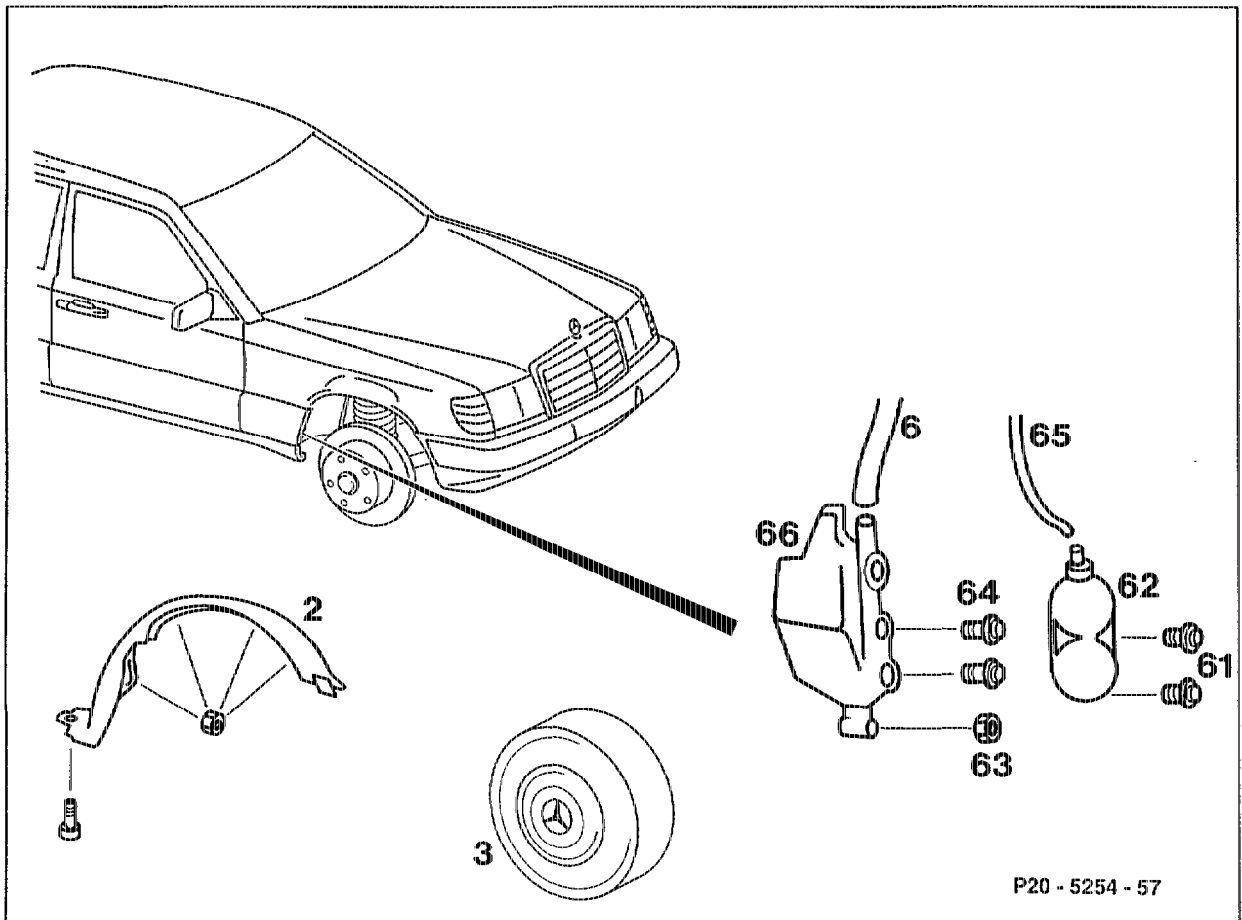


20-4540 Removing and installing overflow reservoir

Operation no. of operation texts and work units or standard texts
and flat rates
20-5411

A. Model 124

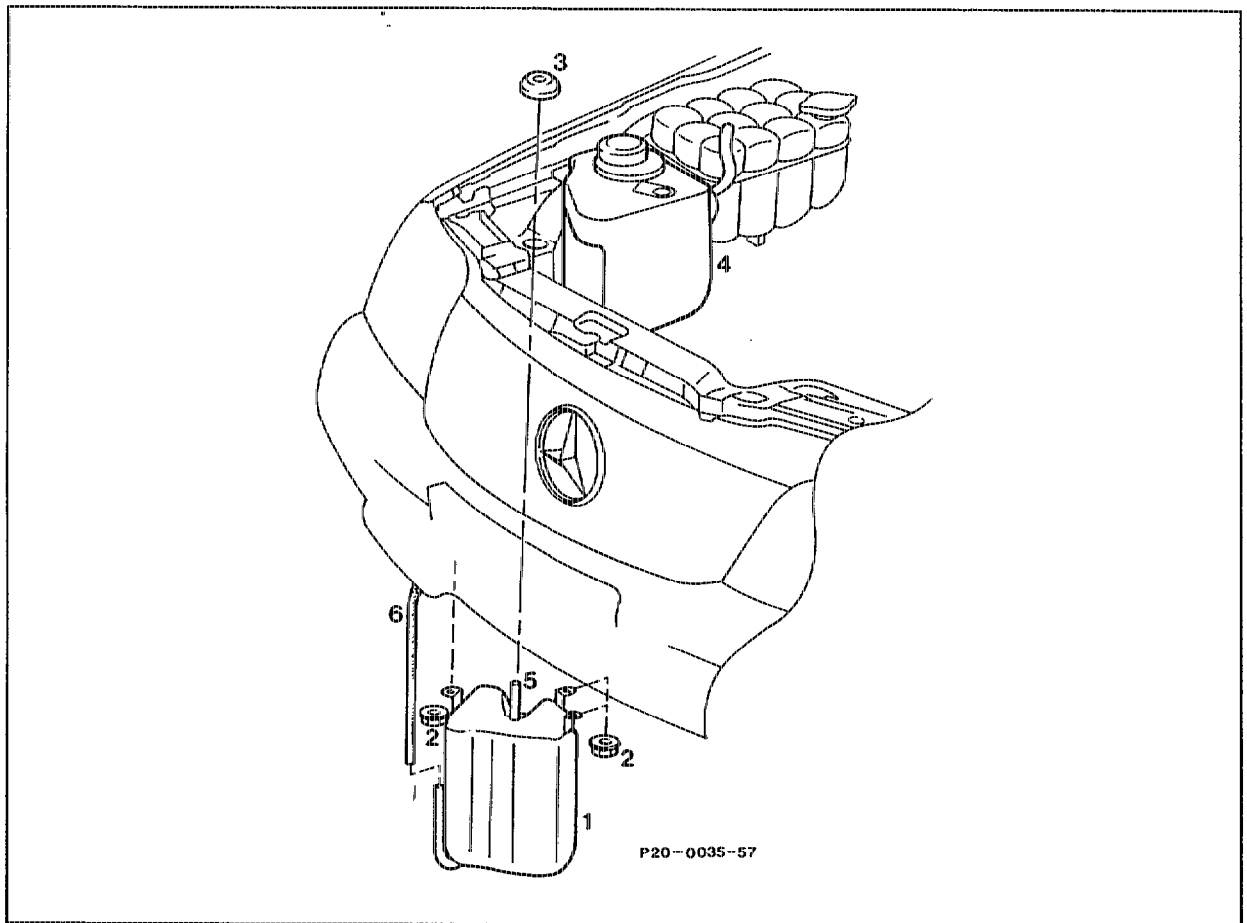


P20 - 5254 - 57

Front right wheel (3)	take off, fit on.
Partition panel (2) below front fender	remove, install.
Bolts (61)	unscrew, screw on.
Vacuum hose (65)	detach, fit on.
Vacuum reservoir (62)	remove, install.
Nut (63) and bolts (64)	unscrew, screw on.
Coolant hose (66)	detach, fit on.
Overflow reservoir (6)	remove, install.

B. Model 129

Operation no. of operation texts and work units or standard texts
and flat rates
20-5411



Car	drive onto lift platform or over inspection pit.
Overflow line (6) of overflow reservoir (1)	detach, install.
Nuts (2)	unscrew from below, screw on.
Overflow reservoir (1)	take off downward, install.

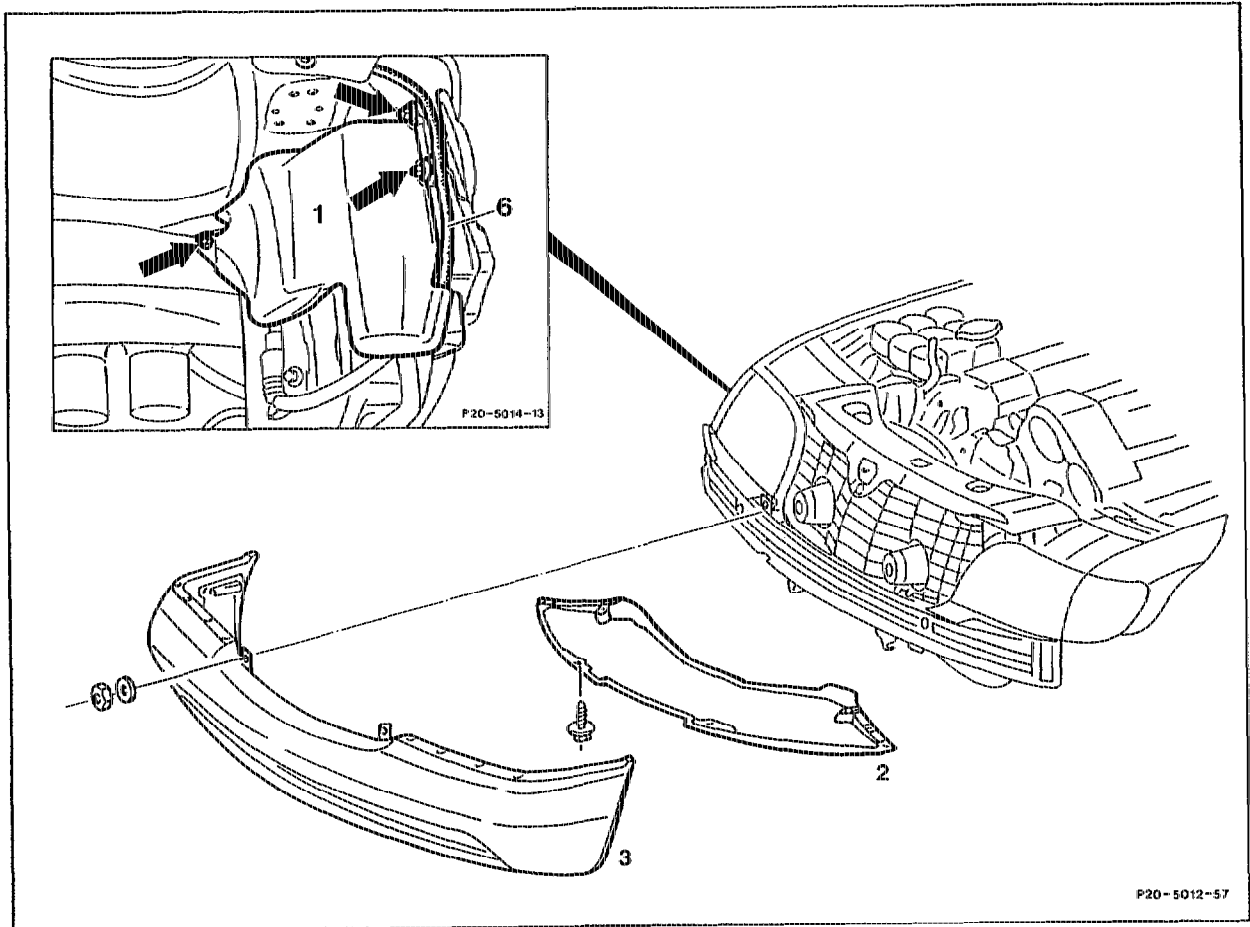


When removing overflow reservoir (1), protective cap (3) of air admission connection (5) remains next to splash water reservoir (4). must be re-fitted when installing.

Protective cap (3)

C. Model 140

Operation no. of operation texts and work units or standard texts
and flat rates
20-5411



Car
 Front engine compartment panel (2) at bottom ..
 Front bumper (3)
 Overflow line (6) of overflow reservoir (1)
 Nuts (arrows)
 Overflow reservoir (1)

drive onto lift platform or over inspection pit.
 remove, install.
 remove, install (88-2000).
 detach, attach.
 unscrew, screw on.
 take off, install.