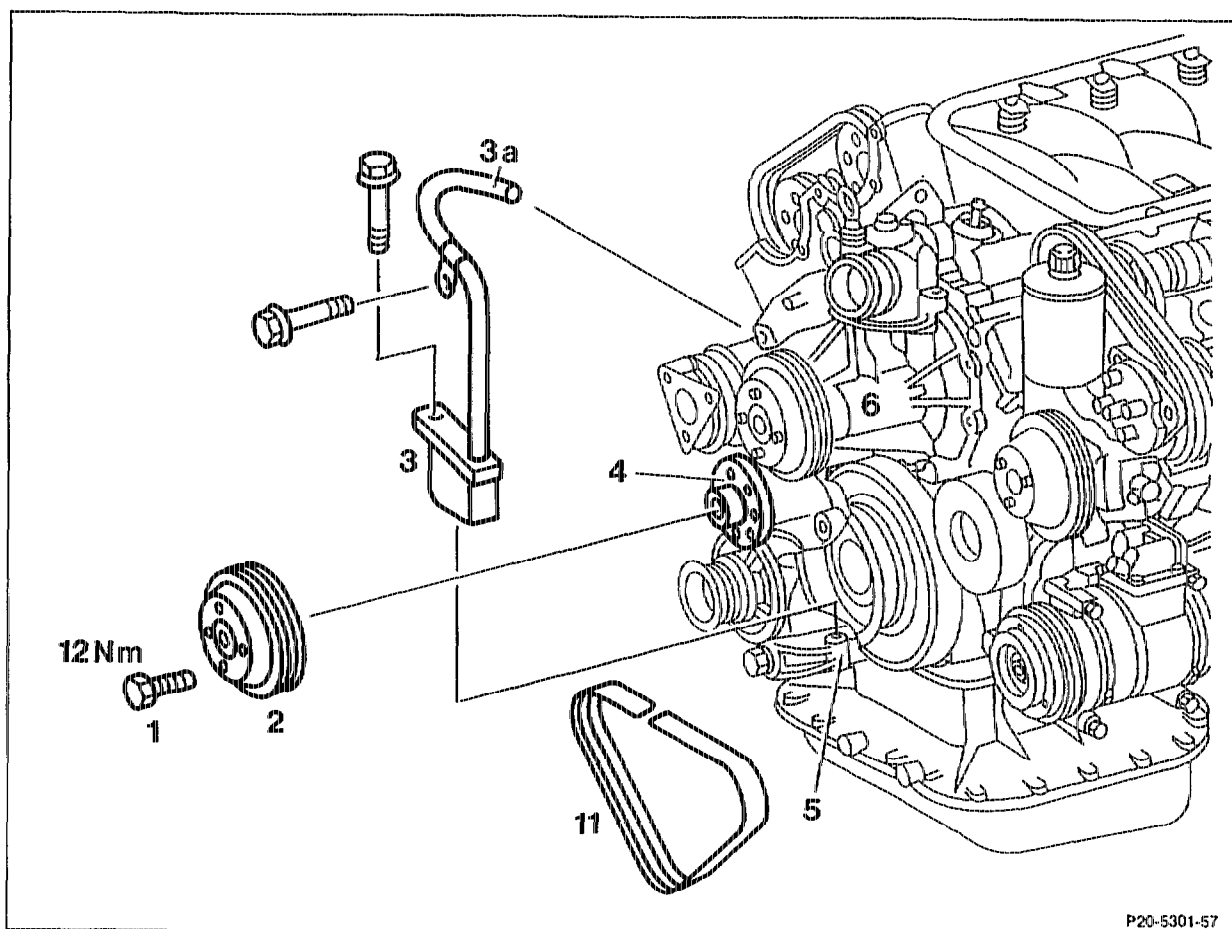


20-2120 Removing and installing reservoir with coolant drain line

Preceding work:
Viscous fan clutch removed (20-3120).

Model 124



P20-5301-57

Bolts (1)	slacken, tighten (12 Nm).
Poly V-belt (11)	remove, install (13-3420).
Belt pulley (2)	remove, install.
Reservoir (3) at fan carrier (4) and bracket of alternator (5)	unbolt, bolt on (21 Nm).
Coolant drain line (3a) at coolant pump (6)	detach, fit on.
Reservoir (3)	remove, install.