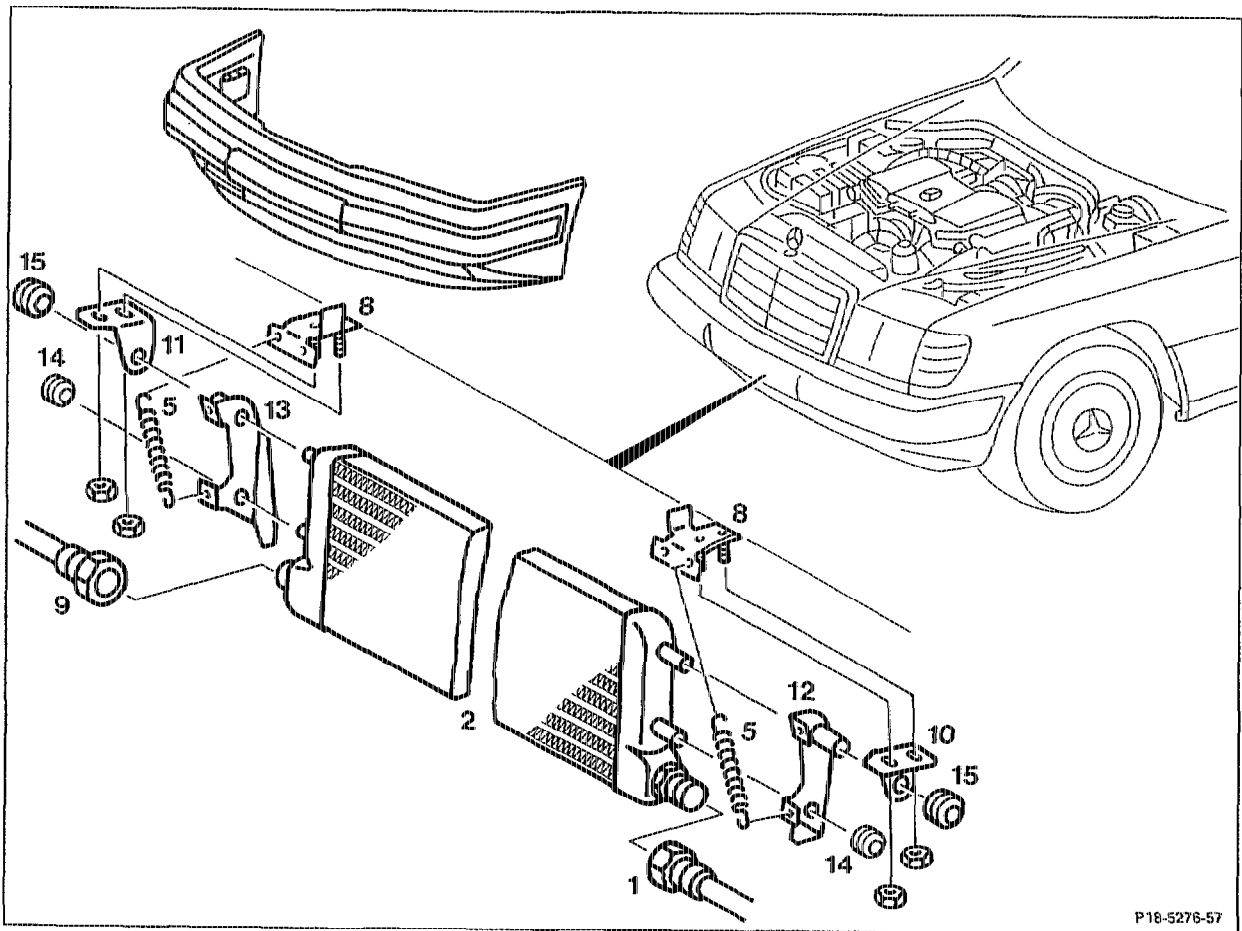


18-1300 Removing and installing air-to-oil cooler

Preceding work:
 Bottom engine compartment panel removed
 (Maintenance Manual 6190).
 Front bumper removed (88-200).

Operation no. of operation texts and work units or standard texts
 and flat rates
 18-6820

A. Model 124.036



Oil lines (1) and (9) at air-to-oil cooler (2) unbolt, bolt on (30 Nm).

Springs (5) detach from left and right mounting plates, attach.

Brackets (10) and (11) unbolt, bolt on.

Air-to-oil cooler (2) remove with brackets (12) and (13) and rubber bushes (14) and (15), install.

Note

Counter-hold with wrench at air-to-oil cooler (2) when performing this step.

Leaks check when engine warm.

Note

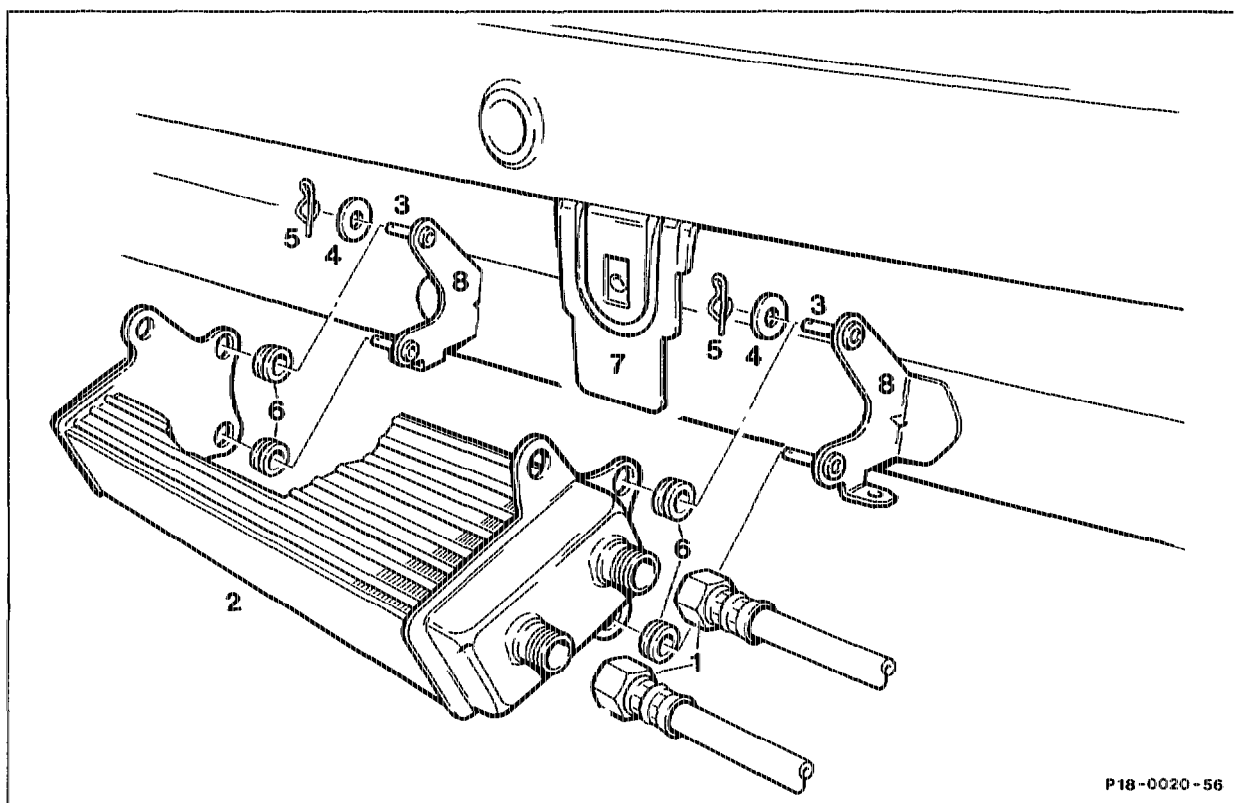
The oil circulates in the air-to-oil cooler (2) once the temperature thermostat element in the oil filter opens (see 18-1110).

Oil level check, adjust to correct level.

B. Model 129

Preceding work:
Bottom engine compartment panel removed
(Maintenance Manual 6190).

Operation no. of operation texts and work units or standard texts
and flat rates
18-6820



P18-0020-56

- Bumper detach from mounting of radiator carrier, attach.
- Oil lines (1) of air-to-oil cooler unbolt, bolt on (30 Nm).
- Locking pins (5) of air-to-oil cooler mountings ... pull off, fit on.
- Air-to-oil cooler (2) remove from mountings (3), fit on.
- Air-to-oil cooler between bumper
and radiator carrier remove, install.

Leaks check when engine warm.

Note

The oil circulates in the air-to-oil cooler (2) once the temperature thermostat element in the oil filter opens (see 18-1110).

Oil level check, adjust to correct level.