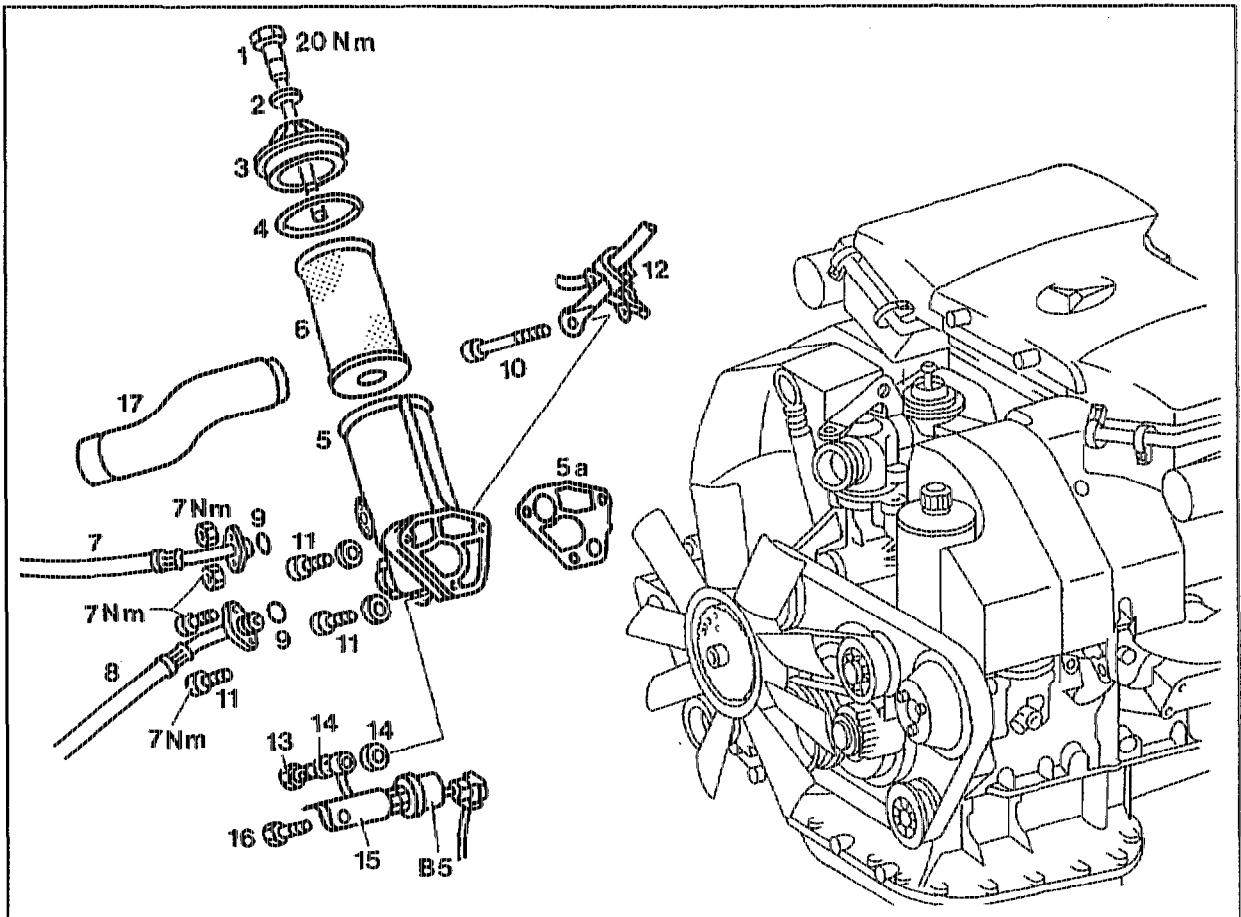


18-1100 Removing and installing oil filter housing

Preceding work:
Pay attention to hazard warnings when hood opened
(01-0080).

Operation no. of operation texts and work units or standard texts
and flat rates
18-3090-3800

A. Models 124, 210



P18-5274-57

Shown on model 124

- | | |
|----|---------------------------------------------------------------|
| 10 | M8 x 105 hexagon socket bolt with bracket (12) for alternator |
| 11 | M8 x 35 hexagon socket bolt + washer |
| 16 | M8 x 25 bolt + washer |

- | | |
|------------------------------------------|--------------------------------------|
| Ground cable at battery | disconnect, connect (AR54.10-0003A). |
| Model 124: intake air hose on right (17) | remove, install. |
| Model 210: air cleaner housing | remove, install. |

Bolt (1) of oil filter cap	unscrew, screw on (20 Nm) (18-0020).
Oil filter cap (3) together with bolt (1)	remove, install so that engine oil in oil filter (5) flows off into sump.
Seal (4)	replace.
Electric wiring at generator	disconnect, connect.
Model 124: plug connection of oil pressure sensor (B5)	unplug, plug in.
Model 124: oil pressure sensor (B5) with connection cable (15)	unbolt, bolt on (25 Nm).
Model 124: seals (14)	replace according to condition.
If air-oil cooling fitted: oil pipes (7) and (8) of air-oil cooler at oil filter (5)	unbolt, bolt on (7 Nm).
Seals (9)	replace.
Oil filter housing (5) at crankcase	unbolt, bolt on.

Installation note

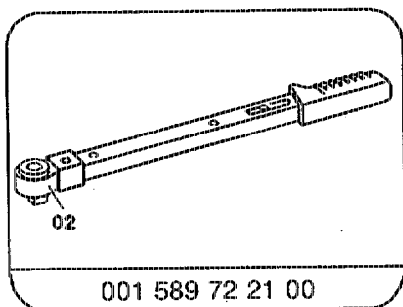
Install bolt (10) with bracket (2) for generator wiring harness.

Oil filter housing (5)	remove downward, install.
Sealing surfaces	clean.
Gasket (5a)	replace.
Engine oil level	check, adjust to correct level (18-0020).
Engine	run and check for leaks.

Tightening torques in Nm

Bolts of oil filter to crankcase	25
Connection cable (15) to oil filter	25

Special tool



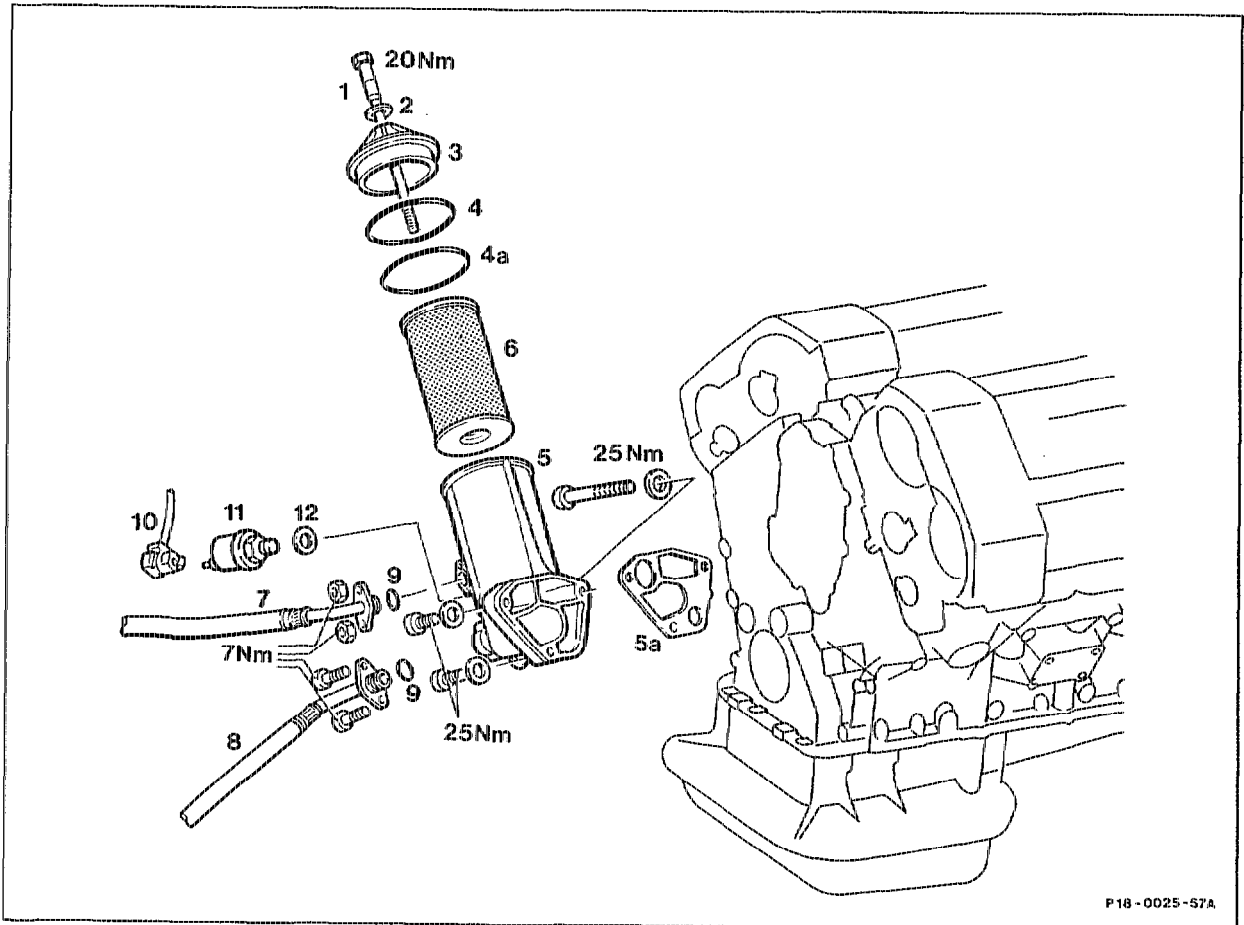
B. Model 129

Preceding work:

Pay attention to hazard warnings when hood opened (01-0080).

Bottom engine compartment panel removed (Maintenance Manual 6190).

Operation no. of operation texts and work units or standard texts and flat rates
18-3090-3800



F18-0025-57A

Plug connection (10) at oil pressure sensor (11)	unplug, plug in.
Oil pressure sensor (11) with seal (12)	unbolt, bolt on (15 Nm).
Vacuum line	disconnect, connect.
Oil lines (7) and (8) of air-to-oil cooler at oil filter (5)	unbolt, bolt on (7 Nm).
Seals (9)	replace.
Oil filter (5) at crankcase	unbolt, bolt on (25 Nm).

Oil filter (5) remove downward, install.

Installation note

Clean sealing surfaces.

Replace gasket (5a).

Oil level in engine check, adjust to correct level.

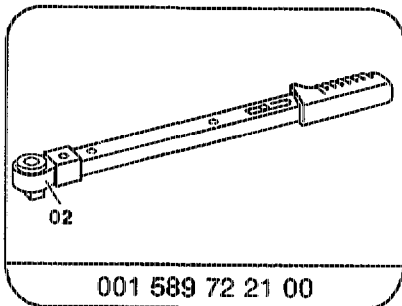
Engine run.

Leaks check.

Tightening torques in Nm

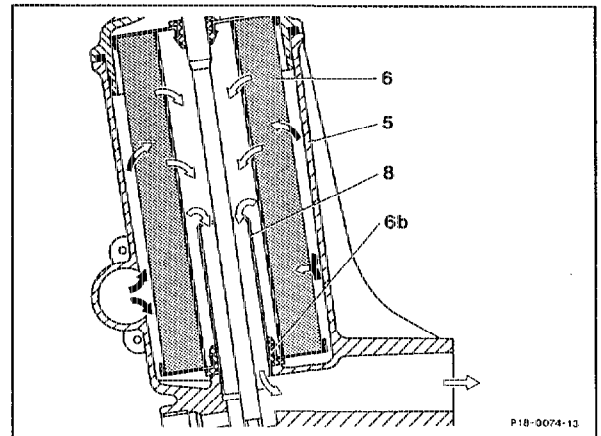
Oil filter to crankcase	25
Oil filter cap	20
Bolts of oil lines at air-to-oil cooler	7
Oil pressure switch to oil filter	15

Special tool



Note

When changing oil filter, ensure that the upright pipe (8) in the oil filter housing is not inadvertently removed. Oil filter housings with loose upright pipe must be replaced otherwise unfiltered engine oil may flow to the bearing points.



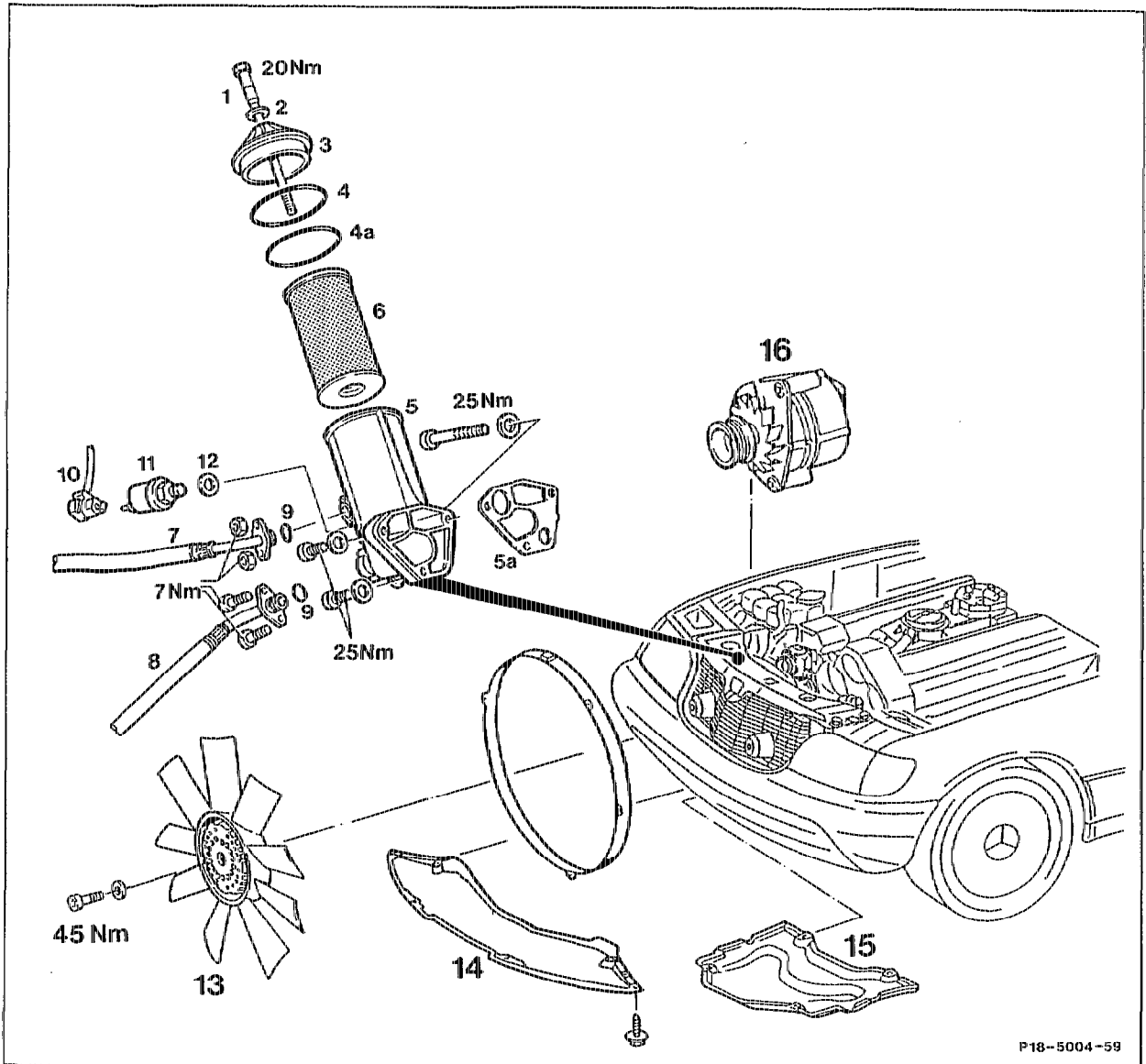
The oil filter housing is supplied in the parts sector only as a running-in oil filter which in this case should be replaced with the normal oil filter element.

As of vehicle ident end no. 129066 1F 005981 oil filter housings, part no. 119 180 07 10, have been installed which are fitted with an upright pipe which cannot come loose.

C. Model 140

Preceding work:
Viscous fan coupling removed (20-3120).
Poly V-belt removed (13-3420).

Operation no. of operation texts and work units or standard texts
and flat rates
18-3090-3800



P18-5004-59

Engine compartment panel	remove, install.
Generator	remove, install.
Plug connection (10) of oil pressure sensor (11) .	unplug, plug in.
Oil pressure sensor (11) with seal (12)	unbolt, bolt on (15 Nm).

Oil pipe (8) of air-oil cooler at oil sump	unbolt, bolt on.
Oil lines (7) and (8) of air-to-oil cooler at oil filter (5)	unbolt, bolt on (7 Nm).
Seals (9)	replace.
Oil filter (5) at crankcase	unbolt, bolt on (25 Nm).
Oil filter (5)	remove upward, install.

Installation note

Oil level in engine	Clean sealing surfaces.
Engine	Replace gasket (5a).
Leaks	check, adjust to correct level.
	run.
	check.

Tightening torques in Nm

Oil filter to crankcase	25
Oil filter cap	20
Bolts of oil lines at air-to-oil cooler	7
Oil pressure switch to oil filter	15

Special tool

