

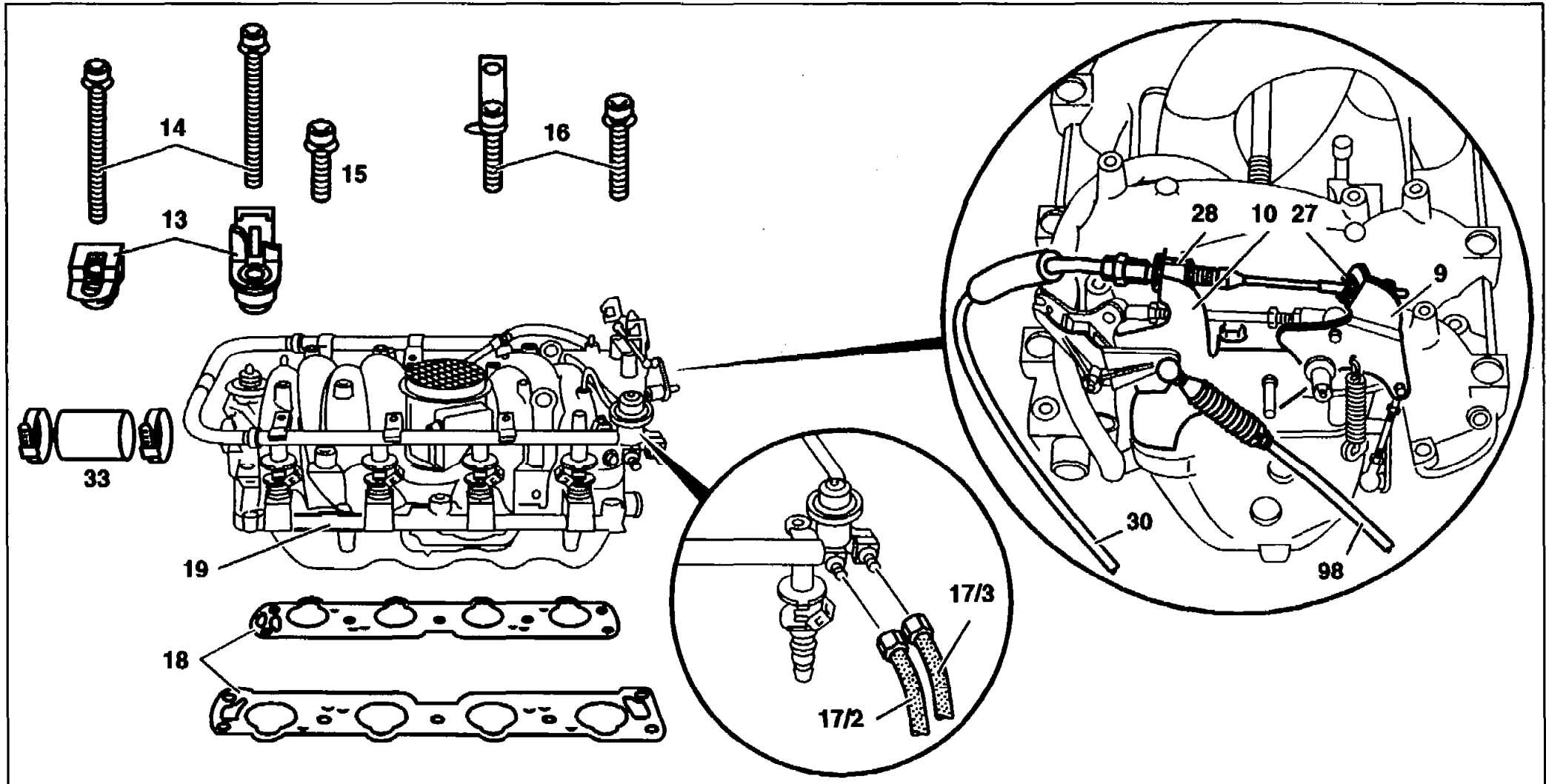
01

AR09.20-P-1310E

Removing and installing intake manifold

7.9.95







ENGINE 119.97





	<b>Removing, installing</b>		
1	Remove air cleaner, install		AR09.10-P-1050E <b>G1</b>
2	Partially drain coolant		
3	Unplug al the plug connections of the cables which run across the intake manifold or of the electrical components at the intake manifold		
4	Undip guide rail for ignition cables		
5	Detach vacuum lines of the components located at the intake manifold	Pay attention to color coding of vacuum hoses Connection diagram of intake manifold	AR09.20-P-1310-01E <b>N15</b>
	Risk of explosion	Pay attention to accident prevention regulations!	
6	Release fuel pressure through service valve at the fuel rail	See Diagnosis Manual Engine, Volume 2, Index 3.1  	103 589 00 21 00 119 589 04 63 00
7	Unbolt fuel feed line (17/3) and return flow line (17/2)	Collect fuel	
8	Disconnect vacuum line for brake unit		000 589 70 03 00



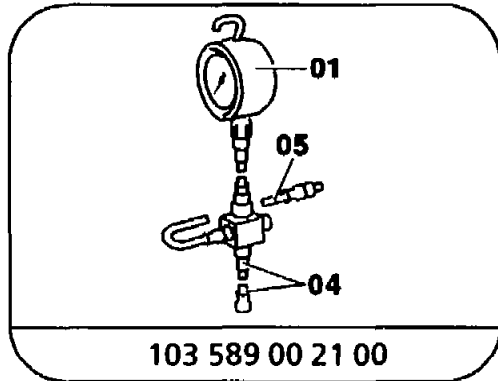
9	Remove guide piece (27)	<p> <b>Removal:</b> pull plastic nipple out of guide piece.</p> <p> Do not damage guide piece.</p> <p> <b>Installation:</b> ensure that the plastic nipple engages properly in the guide piece.</p>	
10	Detach bowden cable (30) at throttle control lever (9)		
11	Pull bowden cable (30) out of fix lever (10)	<p> <b>Removal:</b> press together plastic clip (28)</p>	
12.1	Detach control pressure bowden cable (98)	AT	
13	Separate plug connection of electronic accelerator actuator (M16/1x1) and detach cable	<p> Ensure the electric cable of the electronic accelerator actuator is correctly routed: ↓</p> <p>Model 124.036 up to 06/93</p> <p>Model 124.034</p> <p>Model 124.036 as of 07/93</p>	<p>AR30.20-P-1262-01A     <b>B16</b></p> <p>AR30.20-P-1262-01B     <b>D16</b></p> <p>BT30.20-P-0001-01A     <b>G17</b></p>
14	Disconnect coolant hose (33) at front of intake manifold		
15	Disconnect coolant hose at rear of intake manifold		
16	Unscrew bolts (14, 15, 16)	<p> Pay attention to different lengths of bolts and different spacers (13). Oil bolt threads with assembly oil. Tighten bolts according to tightening diagram: ↓</p>	

 **BT**

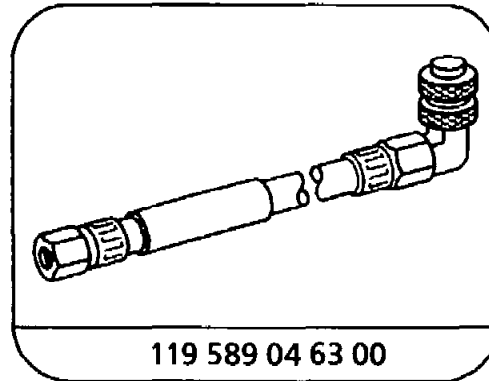
		Tightening diagram of intake manifold attachment <b>Nm</b>	AR09.20-P-1310-03E <b>E16</b> BA09.20-P-1001-01C
17	Take off intake manifold (19)	<b>i</b> When installing, ensure that no vacuum lines and electric cables are jammed in between and that the intake manifold engages in the dowel pins.	
18	Use straightedge to inspect flange surfaces	<b>⚠</b> If necessary, process on dressing plate, or: ↓ replace intake manifold	AR09.20-P-1310-04E <b>F16</b>
19	Replace gaskets (18)		
20	Install in the reverse order		
21	Adjust throttle control	With ASR code 471a Without ASR code 471a	AR30.10-P-1010EA <b>M5</b> AR30.10-P-1010EB <b>A6</b>
22	Inspect idle speed, set	See Diagnosis Manual Engine Volume 1	

**Nm** Intake manifold

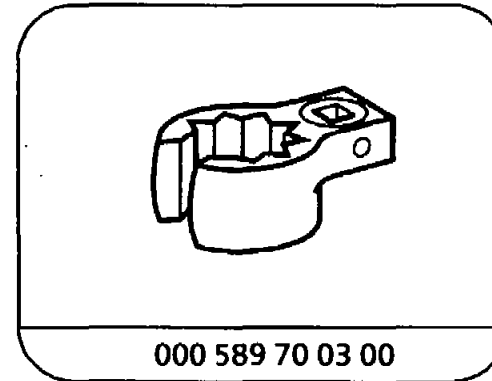
Number	Designation	Engine 119
BA09.20-P-1001-01C	Bolt of intake manifold to cylinder head	Nm 28
BA09.20-P-1003-01C	Bolt of top part of intake manifold to bottom part of intake manifold	Nm 25



Tester



Pressure hose



Ring wrench bit