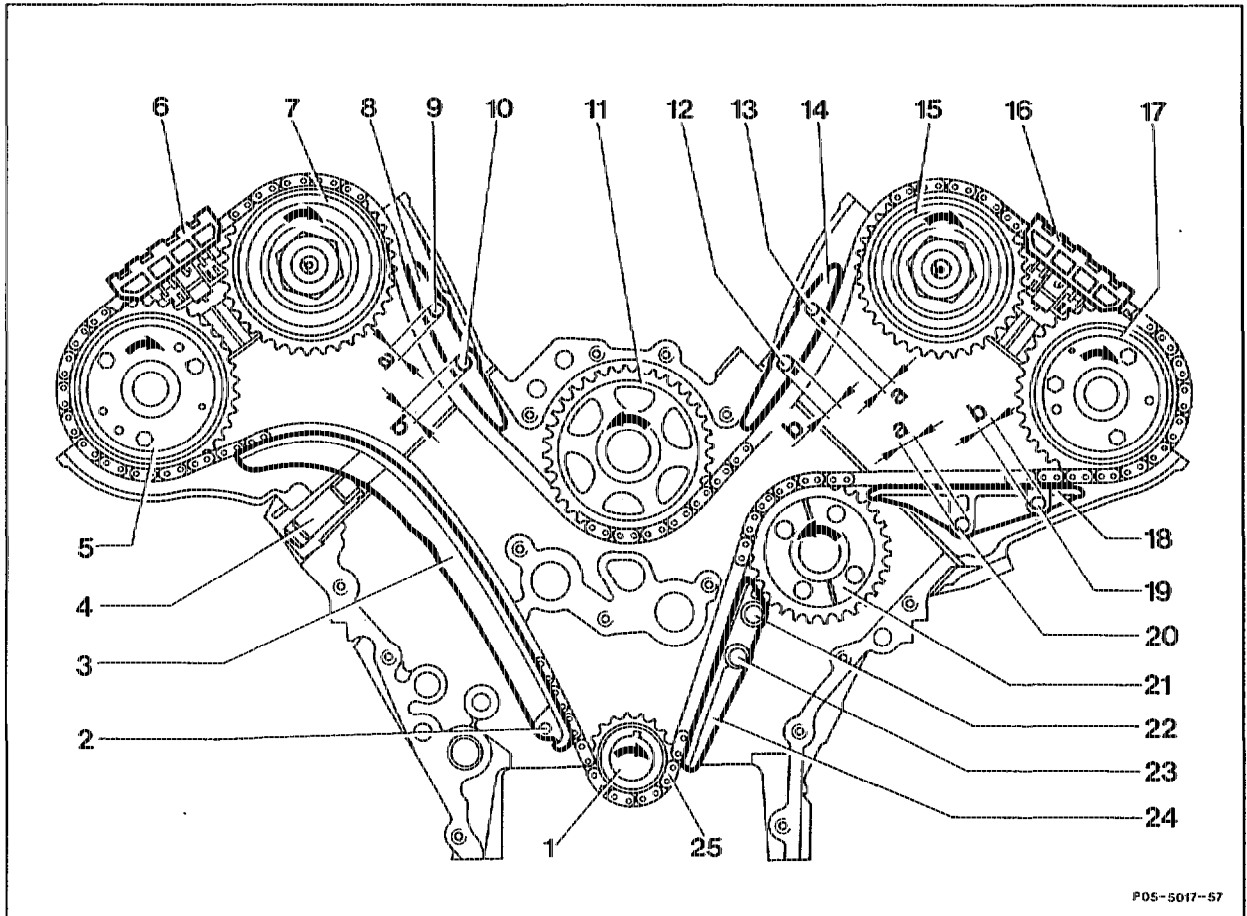


05-3330 Removing and installing slide rails (arrangement)

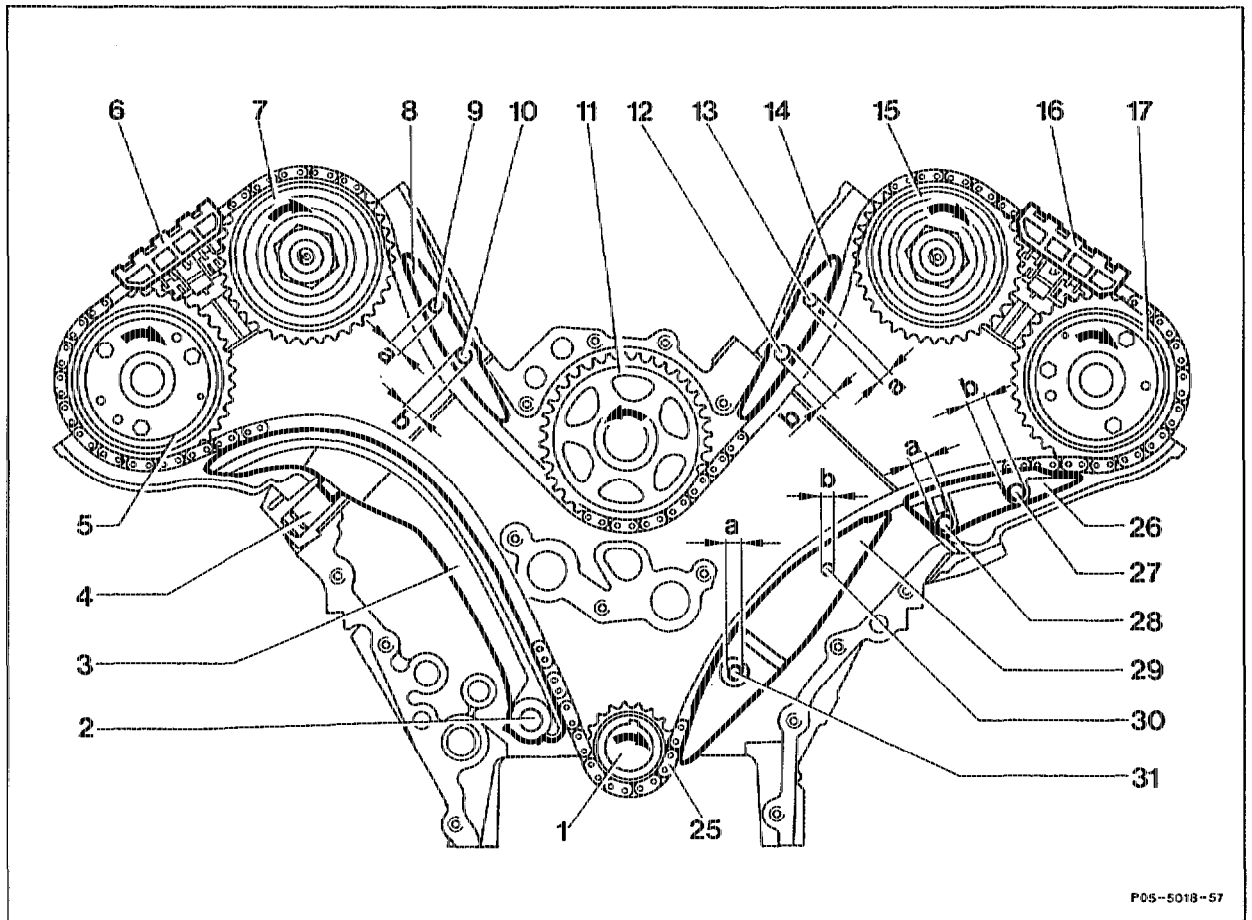
A. Engine 119.96



P05-5017-57

1	Crankshaft timing gear	14	Slide rail, inside left of cylinder head a = 8.1 mm b = 9 mm
2	Bearing pin dia. 12 mm	15	Inlet camshaft timing gear
3	Tensioning rail	16	Top slide rail
4	Chain tensioner	17	Exhaust camshaft timing gear
5	Exhaust camshaft timing gear	18	Slide rail, outside left cylinder head a = 8.1 mm b = 9 mm
6	Top slide rail	19	Slide rail pin
7	Inlet camshaft timing gear	20	Slide rail pin
8	Slide rail, inside right of cylinder head a = 8.1 mm b = 9 mm	21	Idler gear
9	Slide rail pin	22	Bearing pin bolted
10	Slide rail pin	23	Bearing pin bolted
11	Guide pulley	24	Slide rail, crankcase
12	Slide rail pin	25	Timing chain, 228 double links
13	Slide rail pin		

B. Engine 119.97/98



P05-5018-57

1	Crankshaft timing gear	14	Slide rail, inside left of cylinder head a = 8.1 mm b = 9 mm
2	Bearing pin	15	Inlet camshaft timing gear
3	Tensioning rail	16	Top slide rail
4	Chain tensioner	17	Exhaust camshaft timing gear
5	Exhaust camshaft timing gear	25	Timing chain, 216 double links
6	Top slide rail	26	Slide rail, outside left of cylinder head a = 8.1 mm b = 9 mm
7	Inlet camshaft timing gear	27	Slide rail pin
8	Slide rail, right of cylinder head a = 8.1 mm b = 9 mm	28	Slide rail pin
9	Slide rail pin	29	Slide rail, crankcase a = 8.1 mm b = 9 mm
10	Slide rail pin	30	Bearing pin bolted
11	Guide pulley	31	Bearing pin bolted
12	Slide rail pin		
13	Slide rail pin		