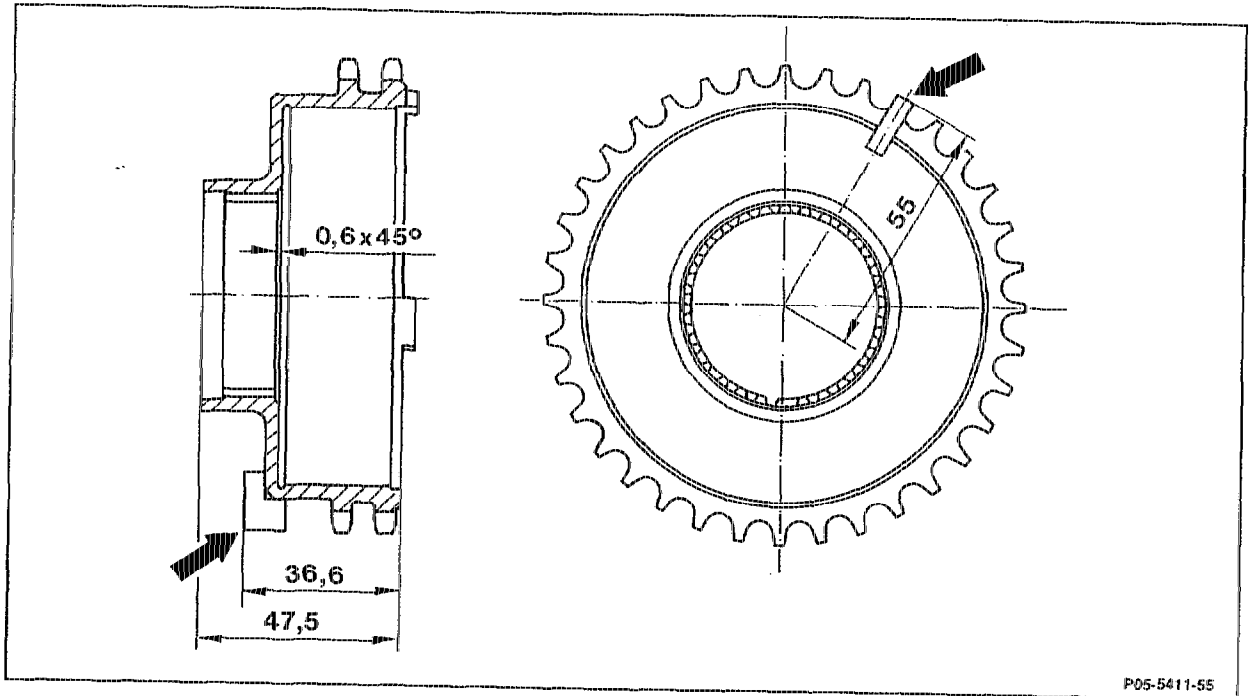
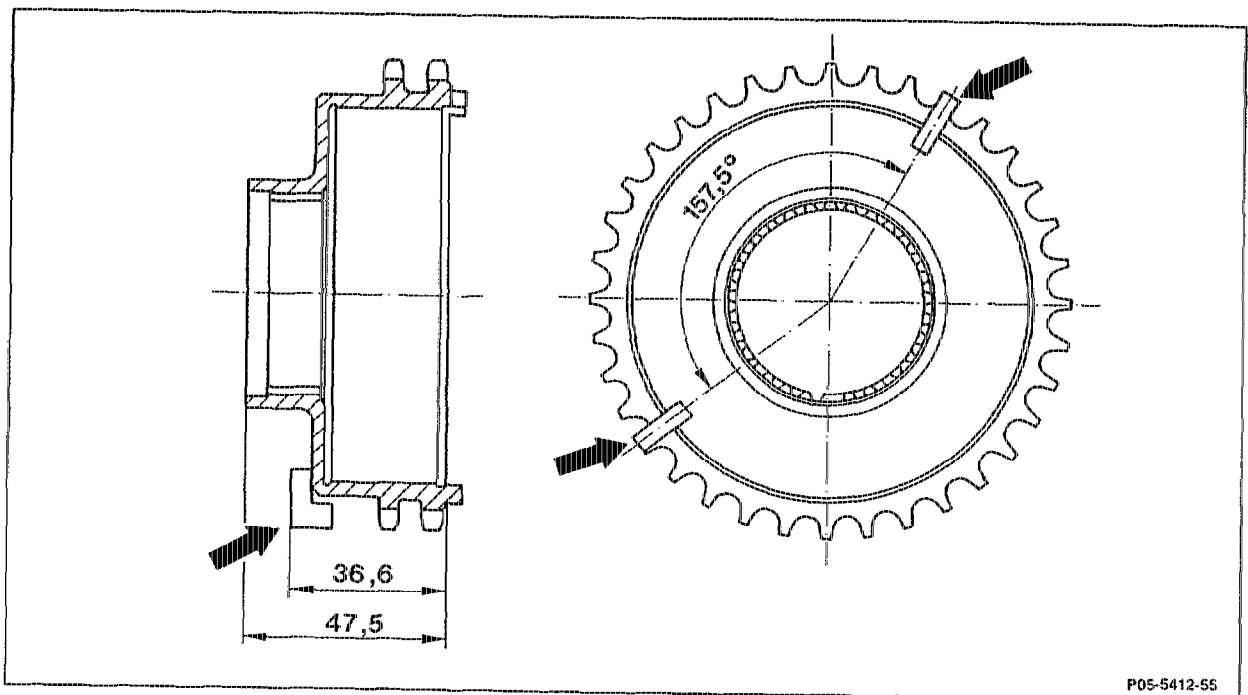


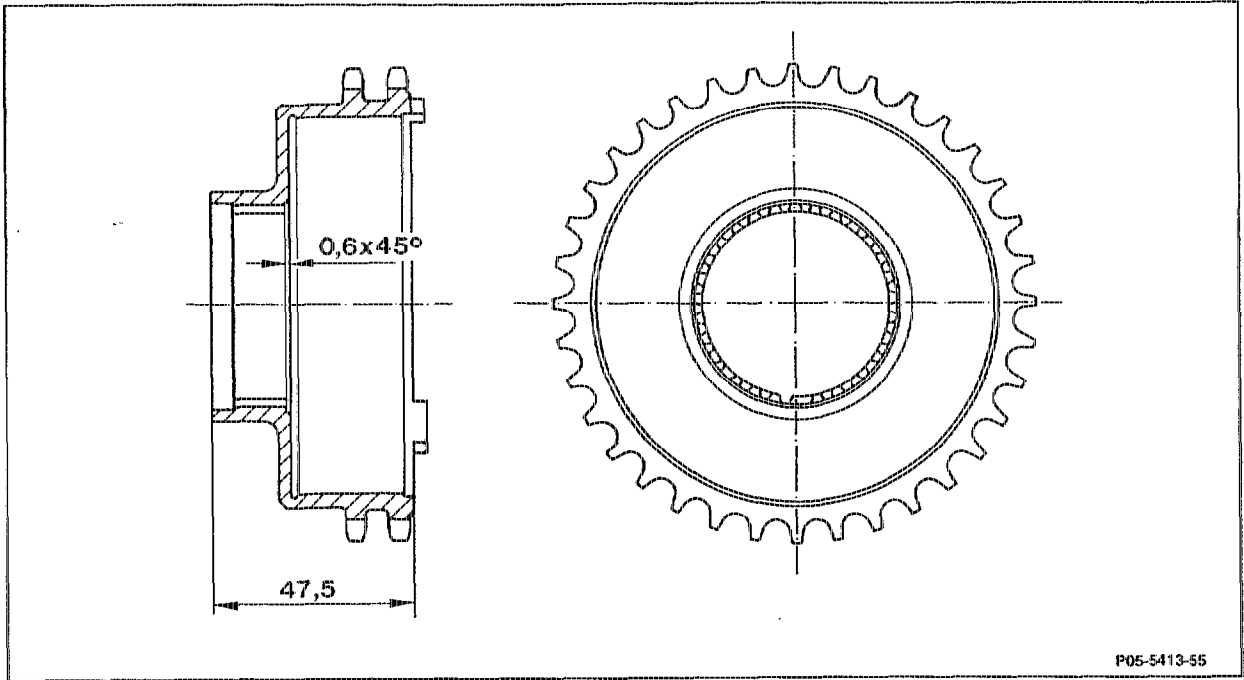
Camshaft sprocket



Engine 119.96 on left and right



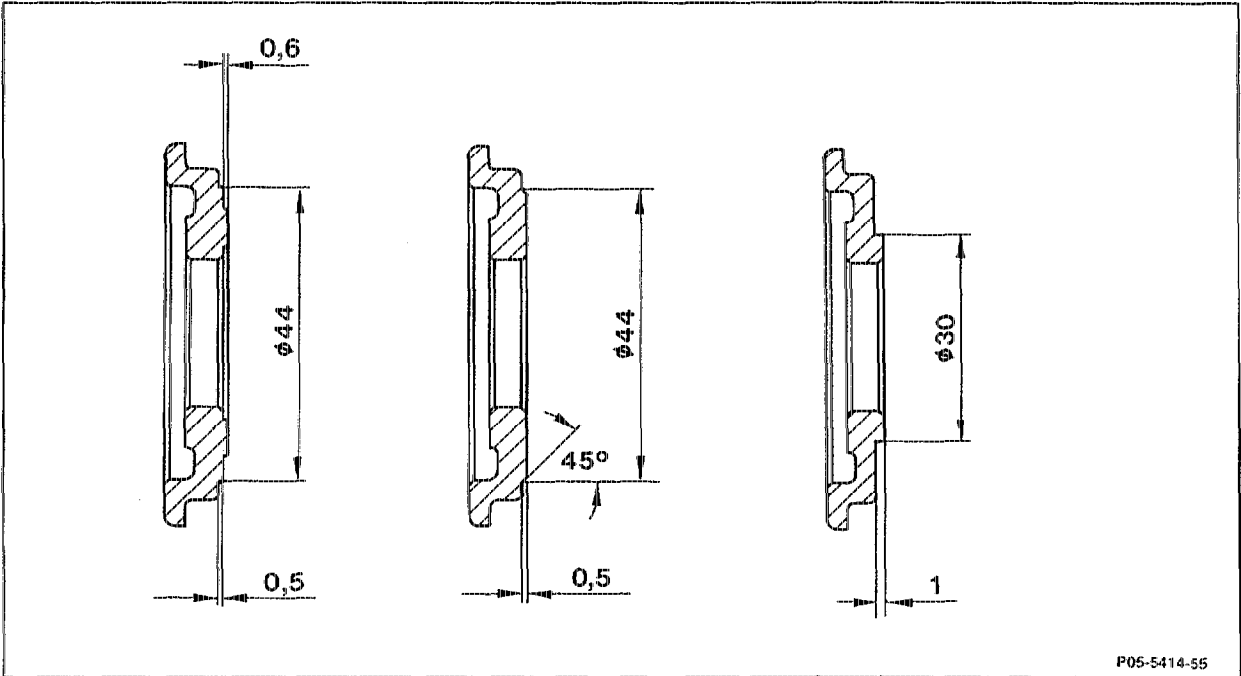
Engine 119.97 on left



P05-5413-55

Engine 119.97 on right

Cover



P05-5414-55

Engine 104.98

Engine 104.99
Engine 120

Engine 111
Engine 119
Engine 120

Engine	119.960 lt. and rt.	119.97 left	119.97 right	Difference
Camshaft adjuster 1)	119 050 03 47 war 119 050 01 47	119 050 06 47	119 050 07 47	Part no.
Flanged shaft (chamfer at 3 holes)	119 051 01 84 war 119 050 00 89	119 051 02 84		Oblique angle
Oblique angle	11° 20'	21° 39'		Flanged shaft and adjusting piston
Adjusting piston	119 051 02 37	119 051 04 37		Oblique angle
Oblique angle	11° 20'	21° 39'		Flanged shaft and adjusting piston
Camshaft sprocket 2)	119 050 03 49	119 050 05 49	119 051 09 28	Sensor
Cover	119 051 47 03			Dimensions
Adjusting angle °CA	20	25		--
Sensor at camshaft sprocket	1	2	0	Qty.

1) For repair measures to eliminate knocking noises from the camshaft adjuster in hot countries, camshaft adjusters with 11° 20' inclined angle are supplied for engines 119.97. Part no. right 119 050 10 47 (without sensor), left 119 050 011 47 (2 sensors)

2) The camshaft gear for engines 119.98 has a modified sensor position.