

E5

AR30.12-P-3022D

Removing and installing firewall pivot point with accelerator pedal lever

3.8.94

**MODEL 124, 129, 140, 202, 461, 463****MODEL 124, 463, 461***Shown on model 124*

30 Accelerator control cable

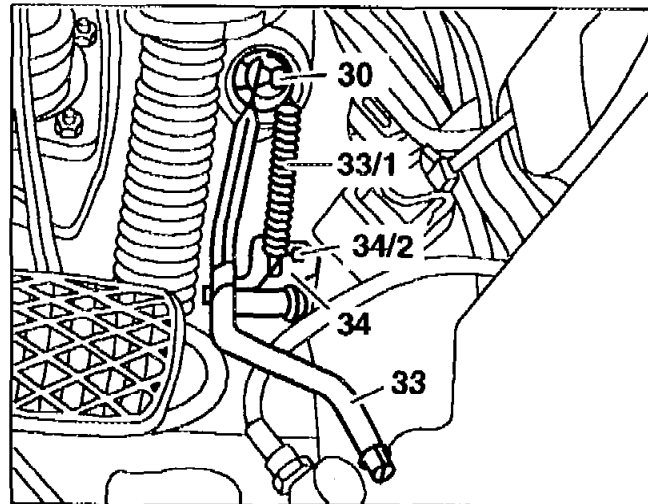
33 Accelerator pedal lever

33/1 Return spring

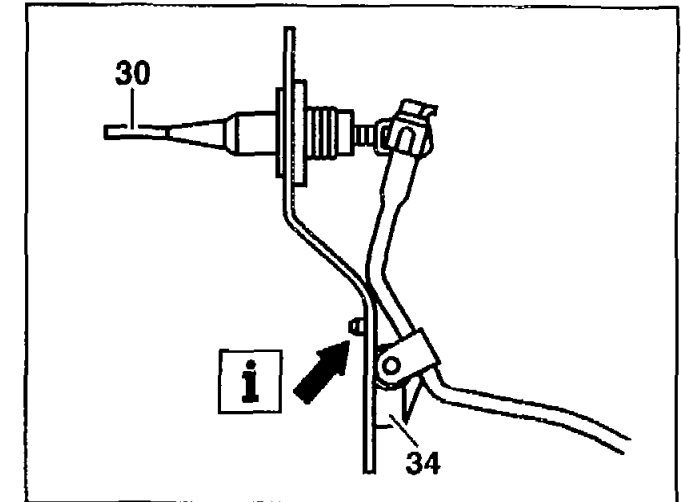
34 Firewall pivot point

34/2 Bolts

Arrow Locking pin



P30.12-0200-01



P30.12-0201-01

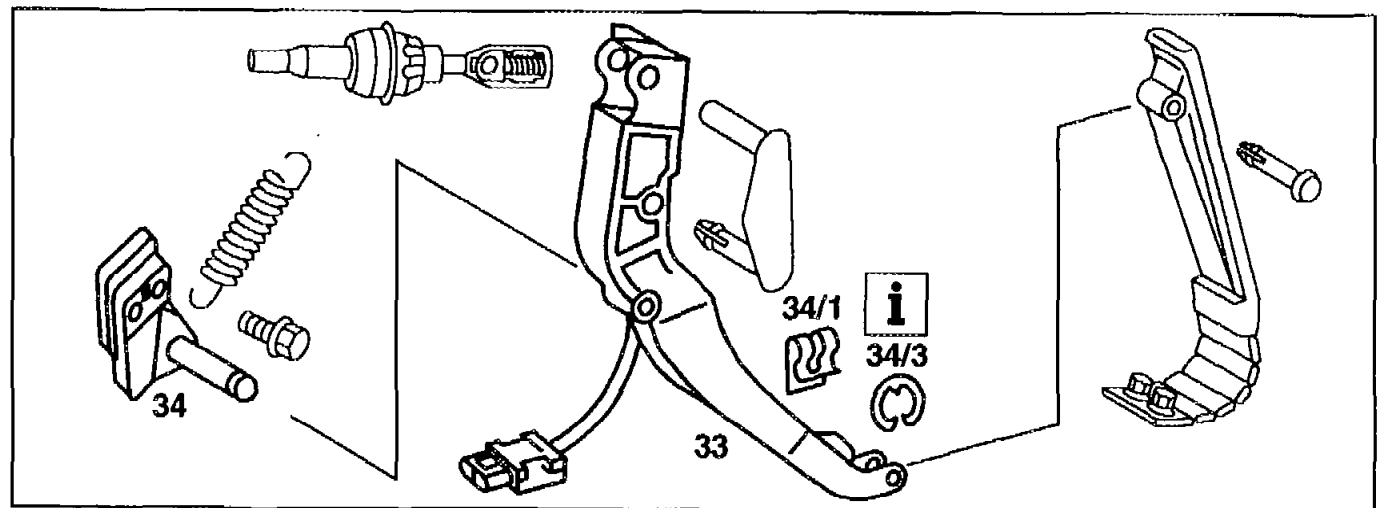
**MODEL 129, 140, 202**

33 Accelerator pedal lever






34 Firewall pivot point

34/1 Locking element

34/3 Circlip



P30.12-0207-04

	<b>Removal, installation</b>		
1	Remove accelerator pedal, install		AR30.12-P-1321D <b>P4</b>
2	Remove firewall pivot point (34) together with accelerator pedal lever (33)		
3	Pull firewall pivot point (34) off accelerator pedal lever (33)	Pull off locking element (34/1) for this step  On model 140, 463, 461 use only circlip (34/3).	
 <b>BT</b>	Locking element for accelerator pedal lever modified	Model 140	BT30.12-P-0001-01A <b>C18</b>
4	Install in the reverse order	 The locking pin (arrow) of the firewall pivot point (34) must engage in the hole in the firewall	
	<b>Checking</b>		
5	Check throttle control, adjust	Engine 111, 104 Engine 119.97 with ASR code 471a Engine 119.97 without ASR code 471a Engine 119.98 Engine 120.980/81 Engine 120.982/83, engine 606.964 Engine 602.983 in model 461	AR30.10-P-1010D <b>J1</b> AR30.10-P-1010EA AR30.10-P-1010EB AR30.10-P-1010EC AR30.10-P-1010F AR30.10-P-1010FA AR30.10-P-1010GG

		<p>Engine 604.910, 605.910/960 in model 202 with automatic transmission 722.4</p> <p>Engine 605.910/960 with manual transmission 717.4</p> <p>Engine 605.910/960, 606.961 with automatic transmission 722.6</p>	<p>AR30.10-P-1010HB</p> <p>AR30.10-P-1010HC</p>
--	--	---	---