



H5

AR30.22-P-1152D

Removing and installing idle speed control (ISC) actuator

3.8.94

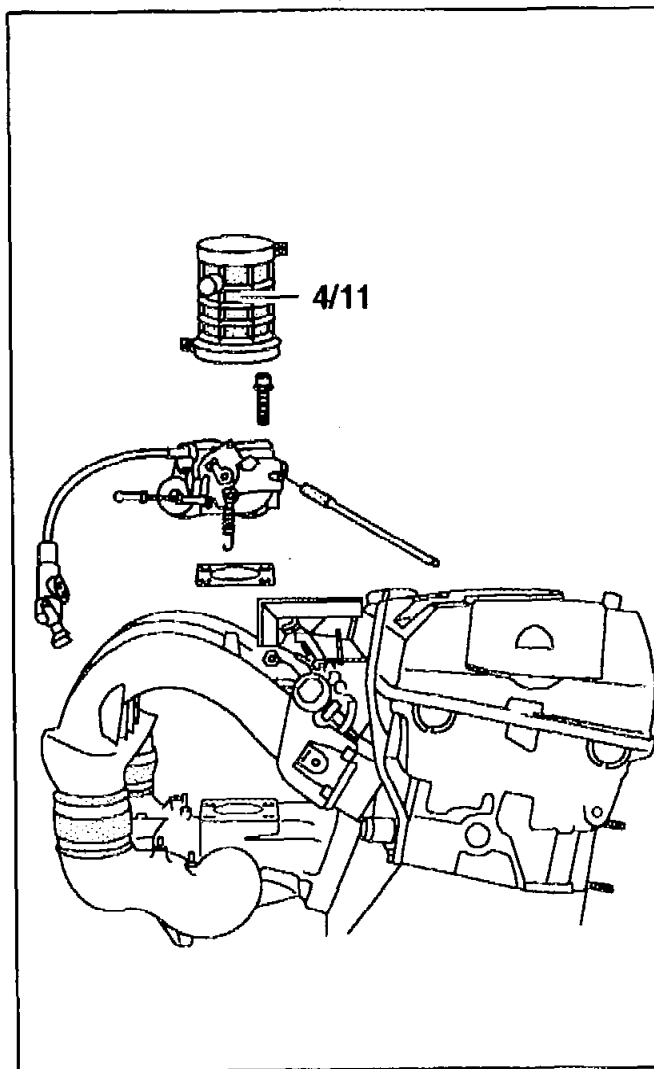
ENGINE 104.94 /99, 111.920 /921 /94 /96 /970 /973 /974 /975 /977 (except , 104.990)**Left-hand illustration, engine 104**

4/11 Connection fitting

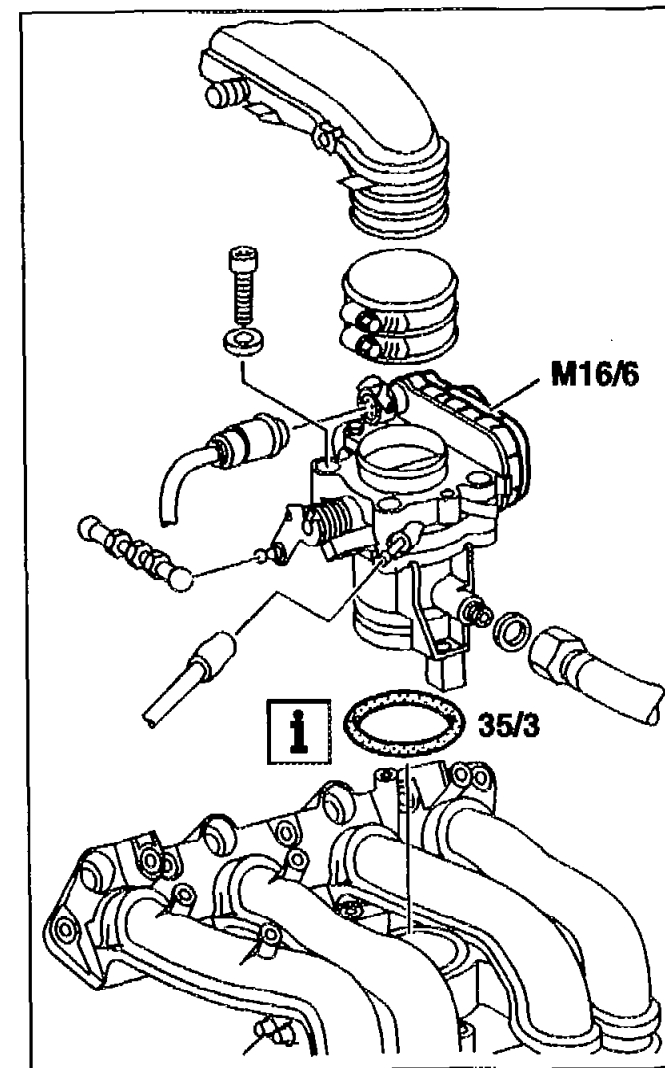
Right-hand illustration shows engine 111.942/70

35/3 O-ring

M16/6 Idle speed control (ISC) actuator



P30.22-0200-03

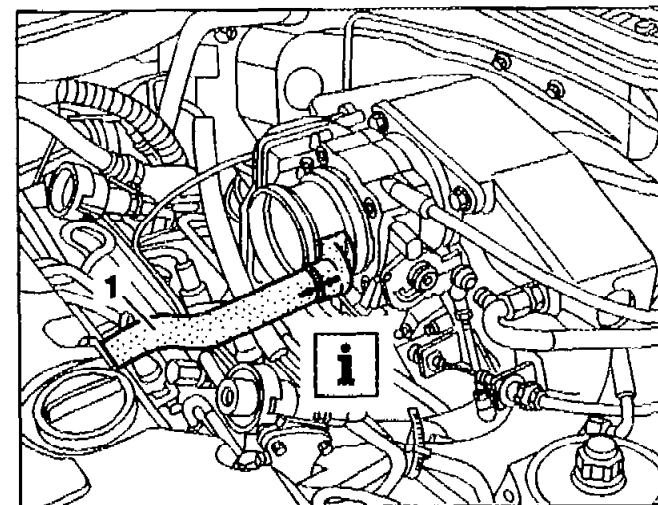


P30.22-0203-03










Engines 111.92/940/41/44/960/61/975

1 Crankcase vent hose



P30.22-0201-01



Fig. item, etc.	Work instructions		
	Remove air cleaner cross pipe, install	Except engine 111.943/944/947/973/975	AR09.10-P-8031G
	Charge air pipe	Engine 111.943/944/947/973/975	
	Remove resonance flap, install	Engine 104	AR09.20-P-1791D
1	Crankcase vent hose	Engine 111.92/940/41/44/960/61/975  Pay attention to installation position. Arrows must be positioned opposite each other.	
4/11	Connection fitting	Engine 104  Pay attention to installation position	
35/3	O-ring	 Inspect, replace if necessary. Oil to facilitate installation.	
M16/6  BT	Idle speed control (ISC) actuator Needle bearing of idle speed adjuster modified	Engine 111.941/944/96/975	BT30.22-P-0001-01A D18