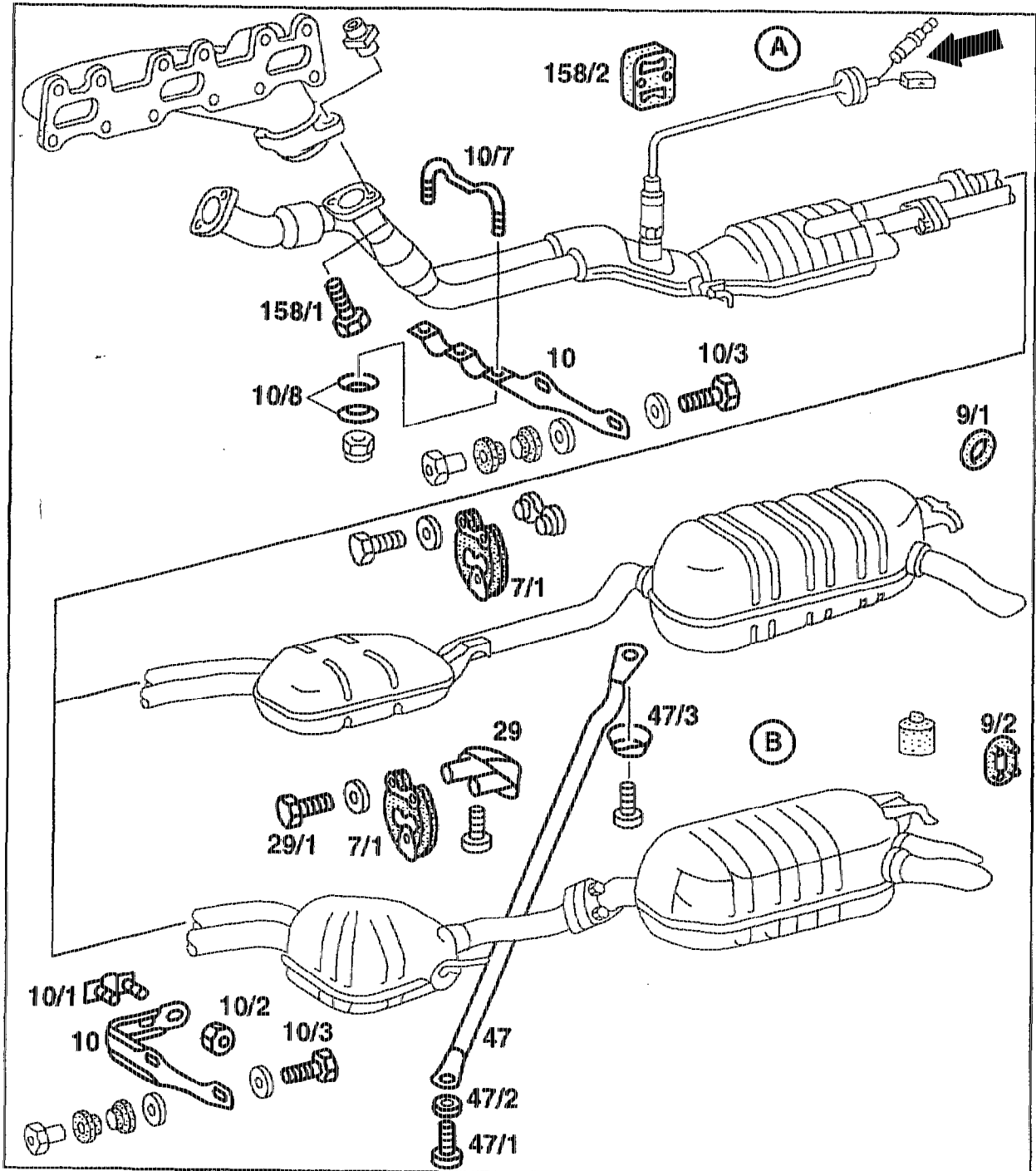


49-7000 Removing and installing exhaust system completely

Operation No. of operation texts and work units or standard texts and flat rates:
49-7000



A Model 124 Sedan
B Model 129

P49-5094-61

Plug connection of oxygen sensor (arrow)	separate, connect.
Flanged joints of exhaust manifold-catalytic converter/front exhaust system	separate, connect. To do this, remove bolts (158/1), insert.

Note

Replace damaged riveted nuts and install into the exhaust manifold with caulking bolt 103 589 01 39 00.

Bolts (10/3) at supporting bracket (10)	slacken, tighten.
---	-------------------

Model 129

Nuts (10/2) at threaded plate (10/1)	unscrew, screw on. Tightening torque 20 Nm as a reference value.
Threaded plate (10/1)	remove, insert; replace if necessary.

Model 124

Clamping bar (10/7) with dished washers (10/8) and self-locking nuts	take off, fit on. Replace self-locking nuts. Tightening torque 7 Nm as a reference value.
--	--

Model 124 Convertible, model 129

Left frame cross strut (47)	take off, fit on. To do this, remove bolts (47/1), insert. Take off washer (47/2) and reinforcing plate (47/3), fit on. Replace self-locking bolts. Tightening torque 120 Nm.
---------------------------------------	---

Model 129

Bolt (29/1) at tensioning plate (29)	remove, insert.
--	-----------------

All models

Rubber pads (7/1, 9/1, 9/2, 158/2)	detach, examine, replace if necessary, attach.
--	--

Complete exhaust system take off, insert.

Installation instruction

If necessary, clean any combustion and corrosion residues off the connection points with emery cloth.

Leaktightness of all connection points check with engine running.

Special tool

