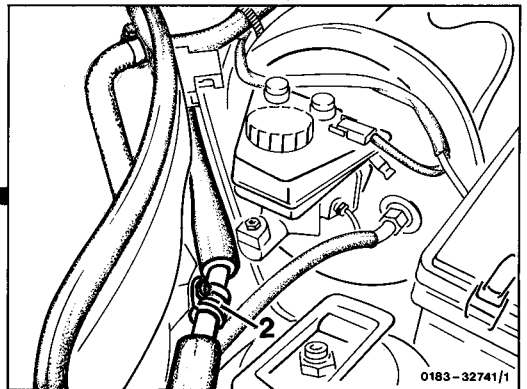
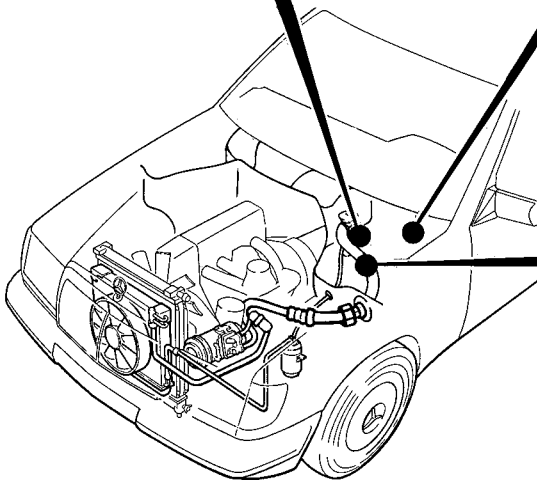
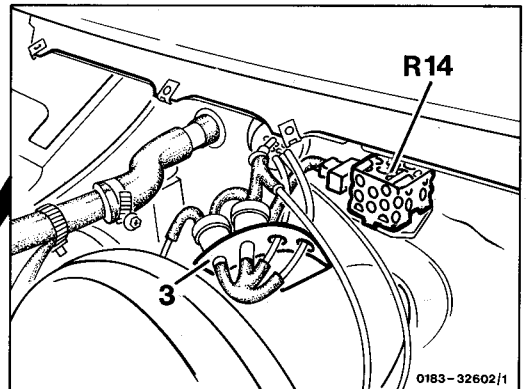
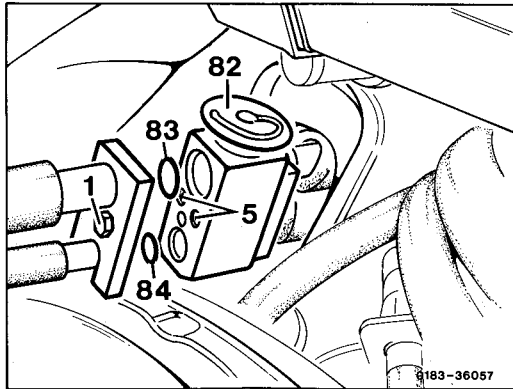


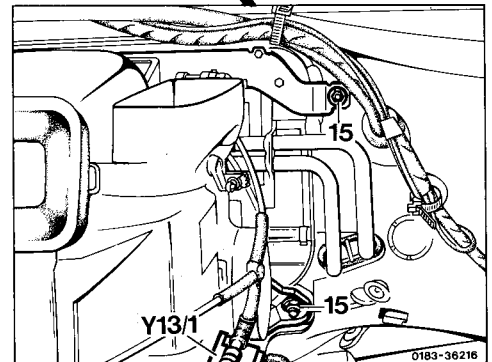
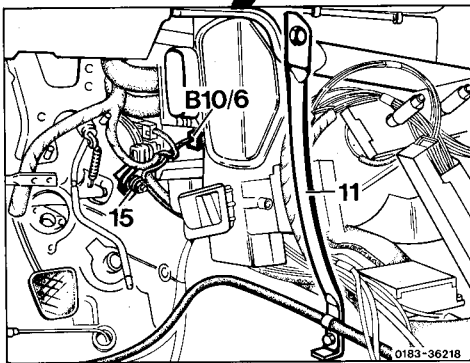
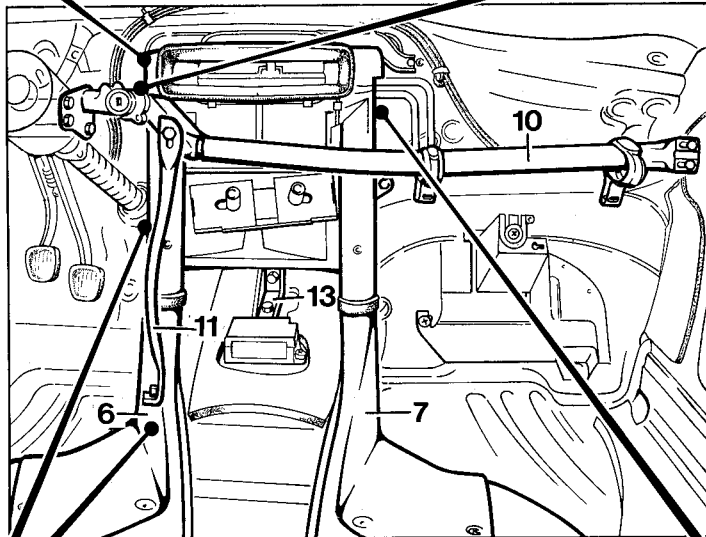
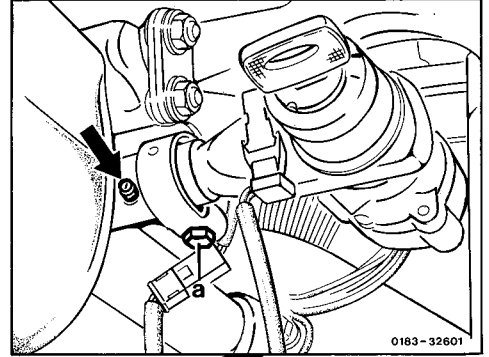
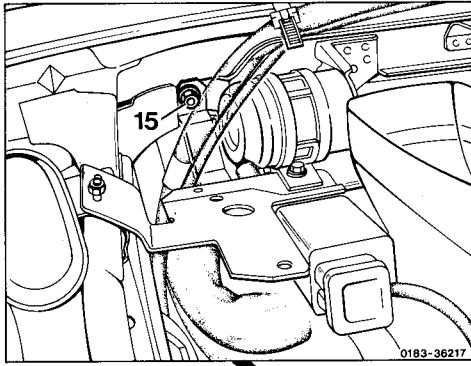
## 83-554 Removal and installation of evaporator

Operation no. of operation texts and work units or standard texts  
and flat rates ..... 83-0737



1834-16462

Battery .....	disconnect.
Air conditioner .....	drain.
Coolant .....	drain.
Hoses on heat exchanger .....	disconnect.
Clamp (2) .....	loosen.
Mount for check valves (3) .....	remove.
Screw/hex. nut (1) .....	unscrew and pull pipes out of expansion valve.
2-pole connector on dropping resistor network (R14) .....	disconnect and pull out lead to blower motor.



1833-16503

- |  |   |
|--|---|
| Instrument panel .....   | remove (68-100).  |
| Center console .....   | remove (68-200).  |
| Left and right air duct (6 and 7) for rear compartment ventilation ..... | loosen and pull off of heater and air conditioner box.  |
| Cross member (10) and brace (11) .....                                   | remove.   |
| Mount (13) .....   | remove.   |
| Ignition lock .....  | pull out; for this purpose loosen screw (a), turn ignition key to position 1 and press in retainer (arrow). |

554/2

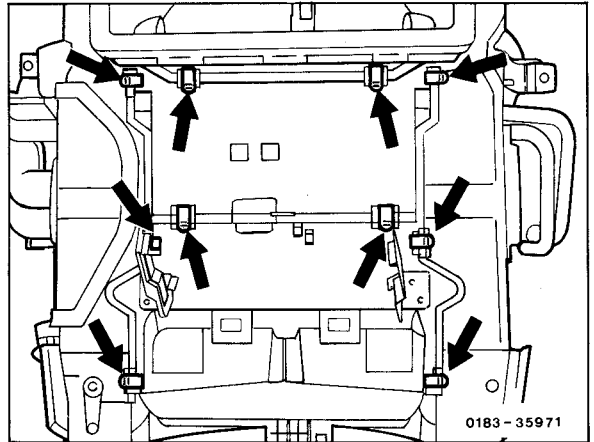
2-pole connector on left and right heat exchanger temperature sensors (B10/2 and B10/3) and evaporator temperature sensor (B10/6) ..... remove.

Vacuum lines and 2-pole connector and switch-over valve (Y13/1) ..... remove.

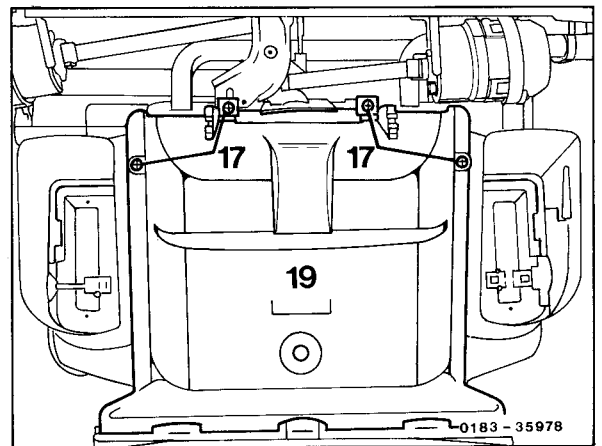
Left and right air ducts for side nozzles. .... remove.  
4 nuts (15) ..... unscrew and pull heater and air conditioner box downward and out after pulling outside air temperature sensor (B10/5) from holder.

**Disassembly and reassembly of heater and air conditioner box**

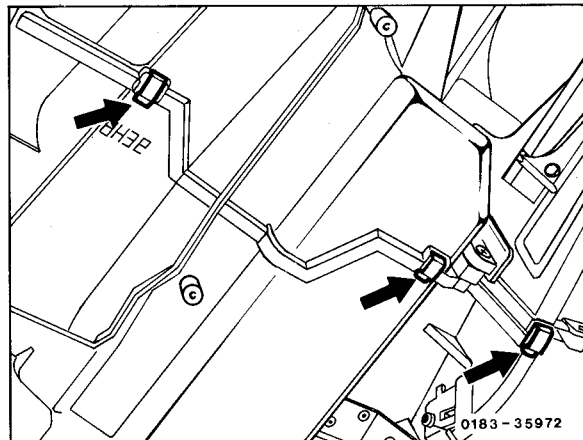
1 Remove ten clips (arrows).



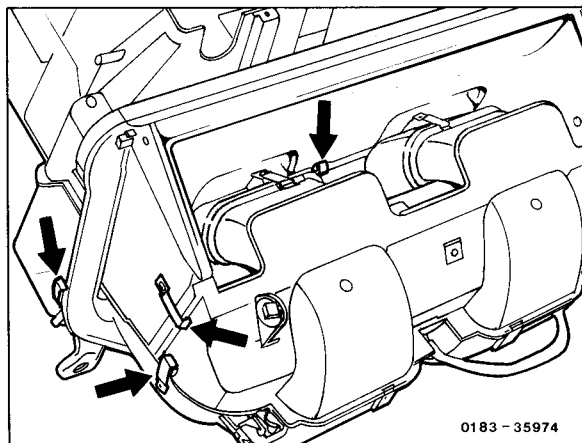
2 Unscrew 4 screws (17) and remove cover (19).



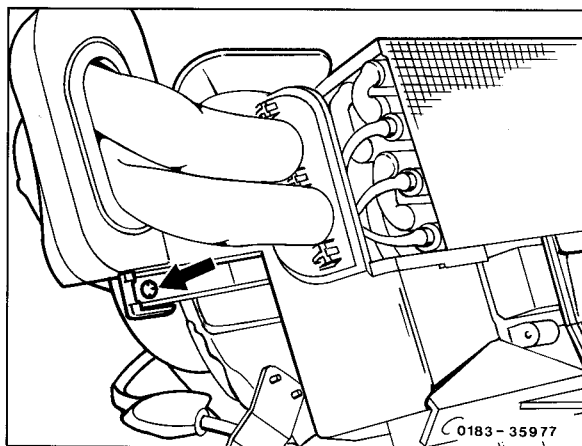
10 Unclip three clips (arrow) each on left and right side of heater and air conditioner box and remove upper section of housing.



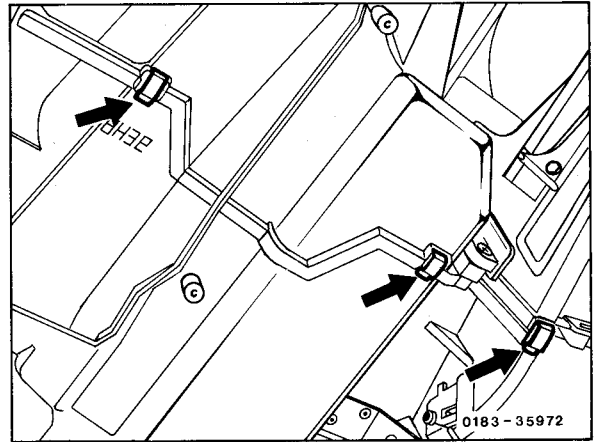
11 Unclip three clamps each on right and left sides of heater and air conditioner box and one clamp in the center (arrow).



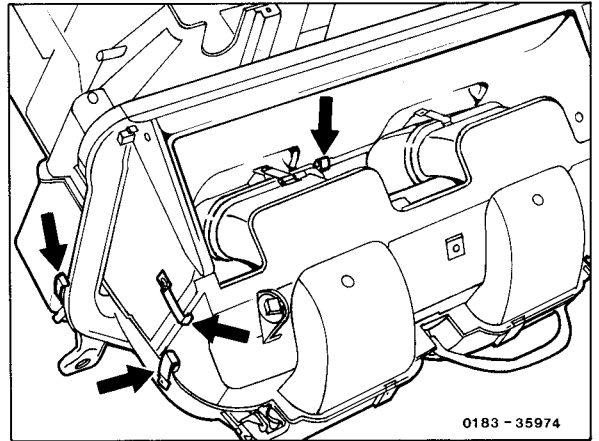
12 Press out clip (arrow).



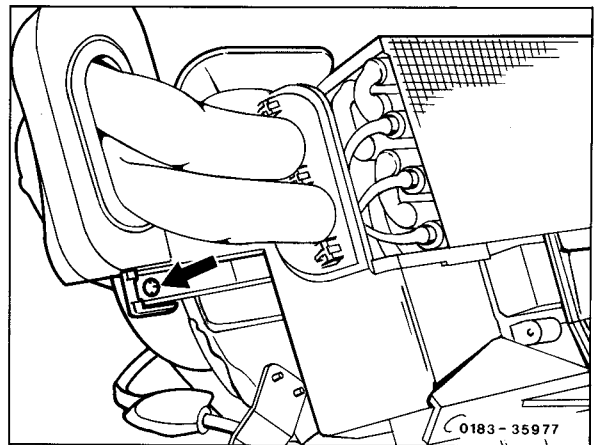
10 Unclip three clips (arrow) each on left and right side of heater and air conditioner box and remove upper section of housing.



11 Unclip three clamps each on right and left sides of heater and air conditioner box and one clamp in the center (arrow).



12 Press out clip (arrow).



13 Pry evaporator (4) out of heater and air conditioner box.

14 Clean inside of evaporator housing.

15 Remove screen (23) from removed evaporator and glue onto new evaporator.

16 Position evaporator in heater and air conditioner box. Continue reassembly in opposite order.

17 Screw expansion valve off removed evaporator and install with new O-rings on new evaporator.

18 Check gasket on bulkhead and replace if required. In addition apply sealant (arrow) to sealing surface of air conditioner box.

19 Install heater and air conditioner box in opposite order.

20 Fill with coolant and check cooling system for leakage.

21 Evacuate air conditioner, recharge and check for proper function and leakage (83-508); allow engine to run at idle speed only for first 4 minutes.

