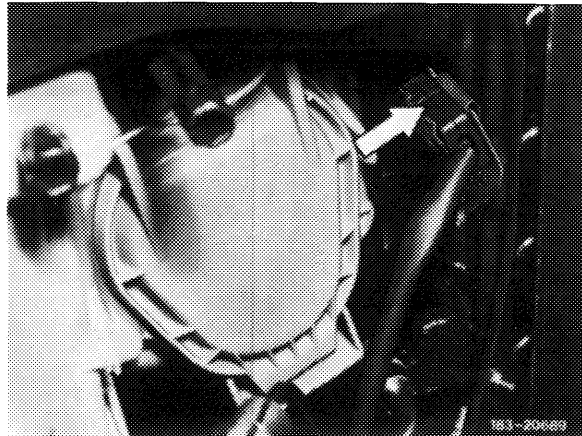


83-546 Removal and installation of auxiliary fan

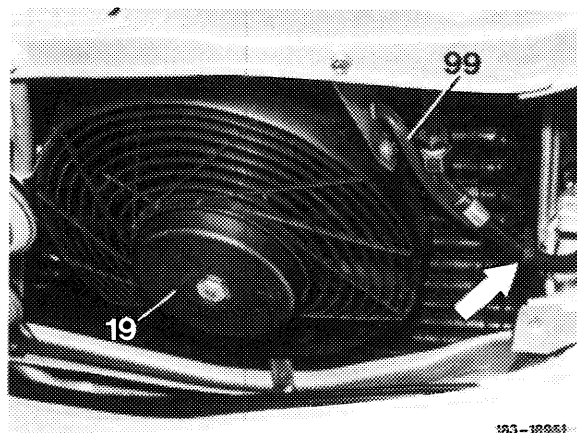
Data	Model	Amps.
Power input	126.02	11.5
	126.03/04	15.5
Fan speed at 12 Volts	126.02	2300/min
	126.03/04	2500/min

Removal

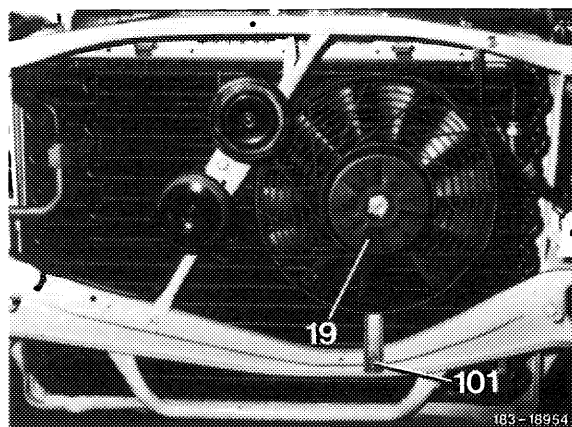
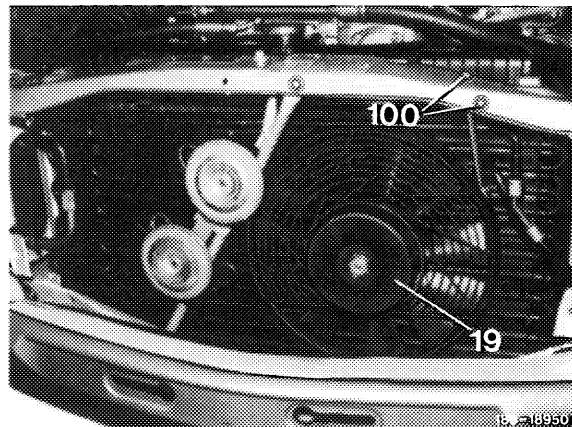
- 1 Disconnect battery.
- 2 Separate 2-point plug (arrow) from radiator supporting frame front left.



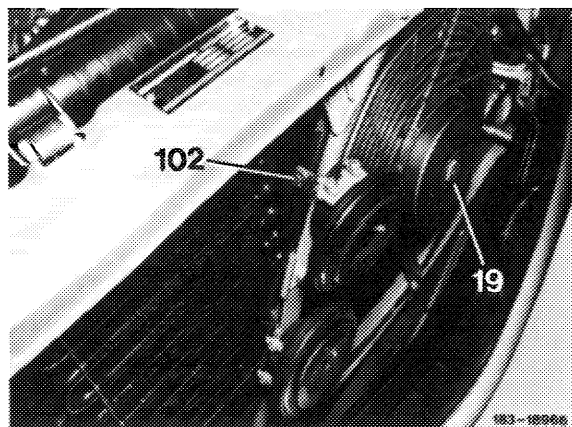
- 3 Expose harness (99) up to auxiliary fan (19), while loosening cable strap (refer to arrow) for this purpose.



4 Unscrew two screws (100) on radiator supporting frame, as well as one screw (101) on cross member below.



5 Unscrew screw (102) on stiffening strut on radiator supporting frame.



6 Unscrew holder (103) from auxiliary fan (19) and remove protective grille (104).

7 For installation proceed vice versa.

8 Check auxiliary fan for function. Pay attention to direction of rotation of fan.

