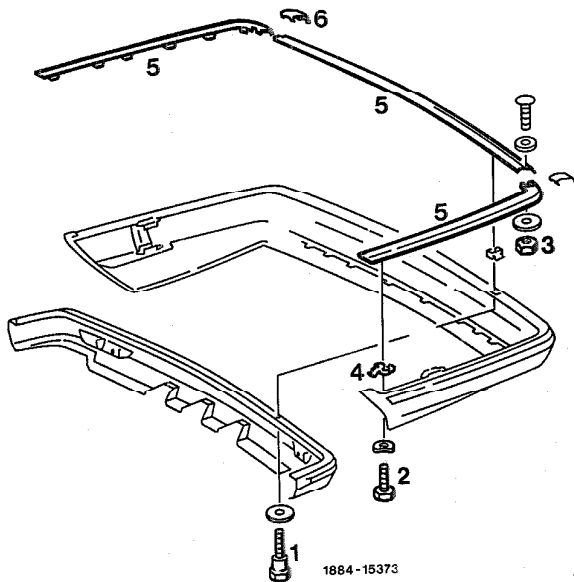


88-225 R and R rear bumper trim molding



Bumper	remove (88-220)
Screws (1)	unscrew (11 screws)
Screws (2)	unscrew (8 screws)
Trim molding (5)	remove
Fuses (4)	remove (19 fuses)
Installation	in reverse order (observe assembly instructions)

Assembly instructions

On USA version bumpers, locate the fuses (4) with adhesive tape before starting the screws.

If the trim molding (5) is renewed, remove covering (6) from the joint and unscrew nuts (3) at the left and right.

Upon assembly, attach covering above joint with flat nose pliers (fold over lugs).

