

Electrically heated nozzle

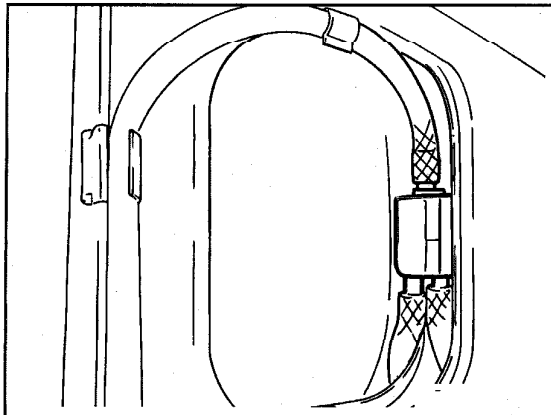
A PTC heating resistor is installed in the nozzle. This PTC heating resistor increases its resistance value with increasing temperature.

After the ignition is switched on, a current of approx. 300 mA flows through the PTC heating resistor which is reduced to a final current of 100 mA with increasing temperature.

Check valve

A check valve is arranged for both nozzles at the engine hood lower side (right rear).

The valve has one supply and one discharge for each nozzle.



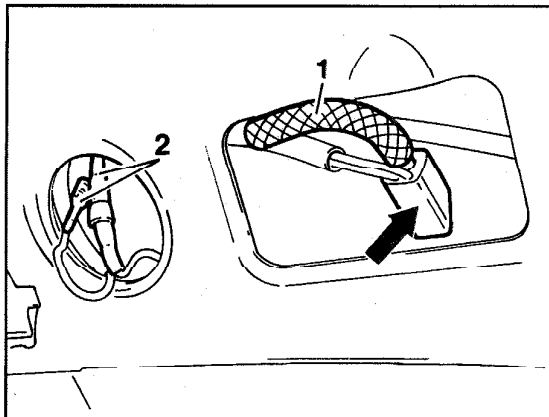
P82-3081-13

Removal, reinstallation of nozzle

- 1 Pull off hose and connection.
- 2 Push the nozzle in the direction of the arrow and remove from the top.

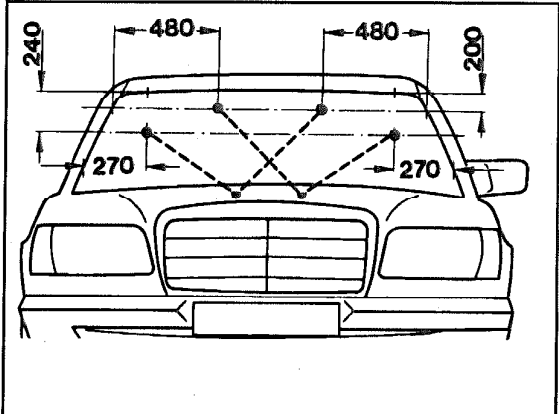
Installation instruction

Push in nozzle until it engages.



P82-3082-13

82-0795 Windshield washer system



Nozzle adjustment

P82-0486-13