

## 82-0539 R and R antenna cable

### Preliminary work:

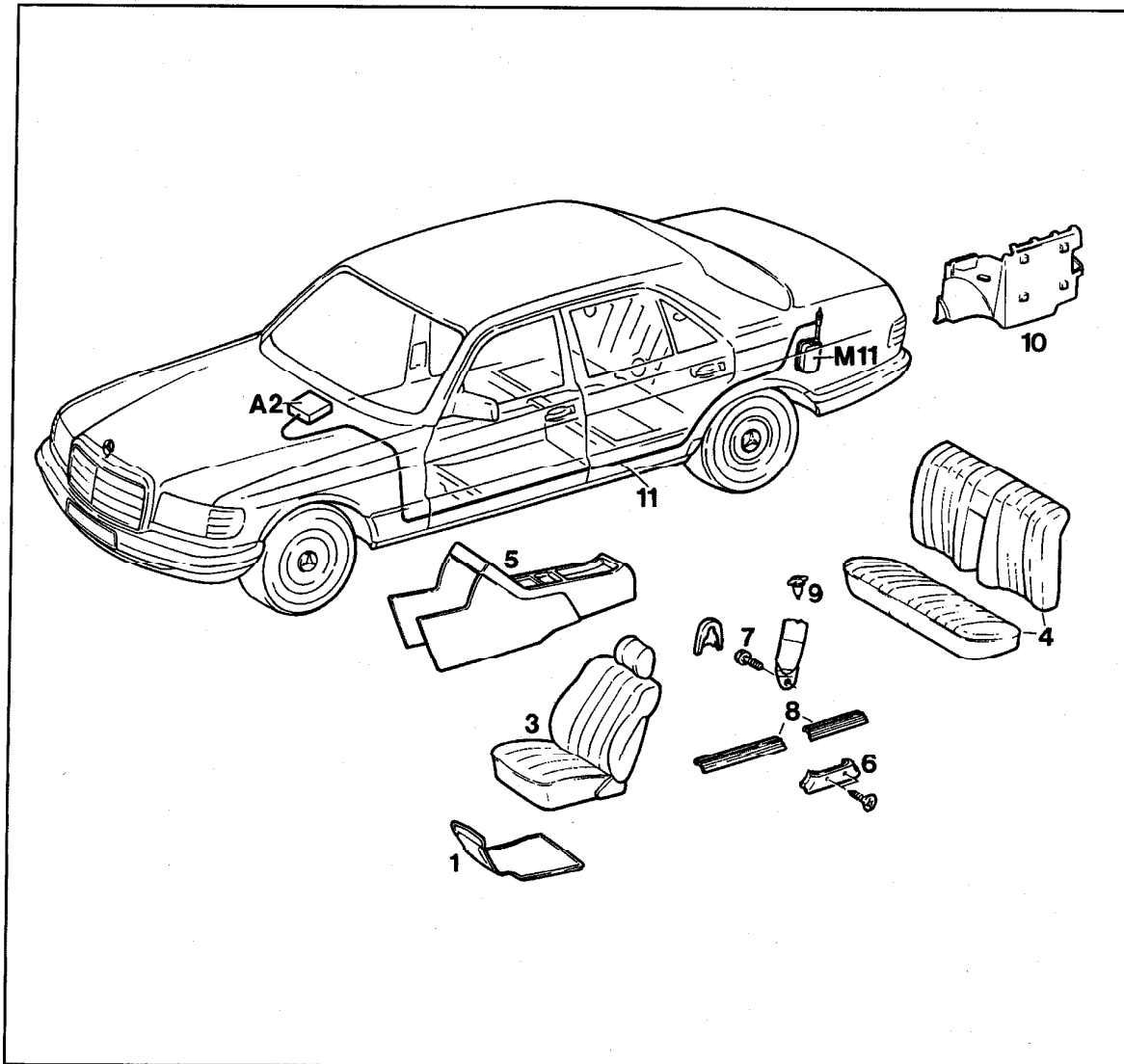
Removal, reinstallation of radio (82-0505)

Removal, reinstallation of cover in trunk (68-0480)

Removal, reinstallation of driver's seat (91-0100)

Removal, reinstallation of rear cushion and rear backrest (91-0170)

### A. One piece radios



P82-0143-59

|                          |                                            |
|--------------------------|--------------------------------------------|
| Floor mats (1) .....     | remove front left, install.                |
| Center console (5) ..... | partly remove, install.                    |
| Covering (6) .....       | for center console left remove, reinstall. |
| Safety belt (7) .....    | bottom left dismount, mount.               |

## 82-0539 R and R antenna cable

---

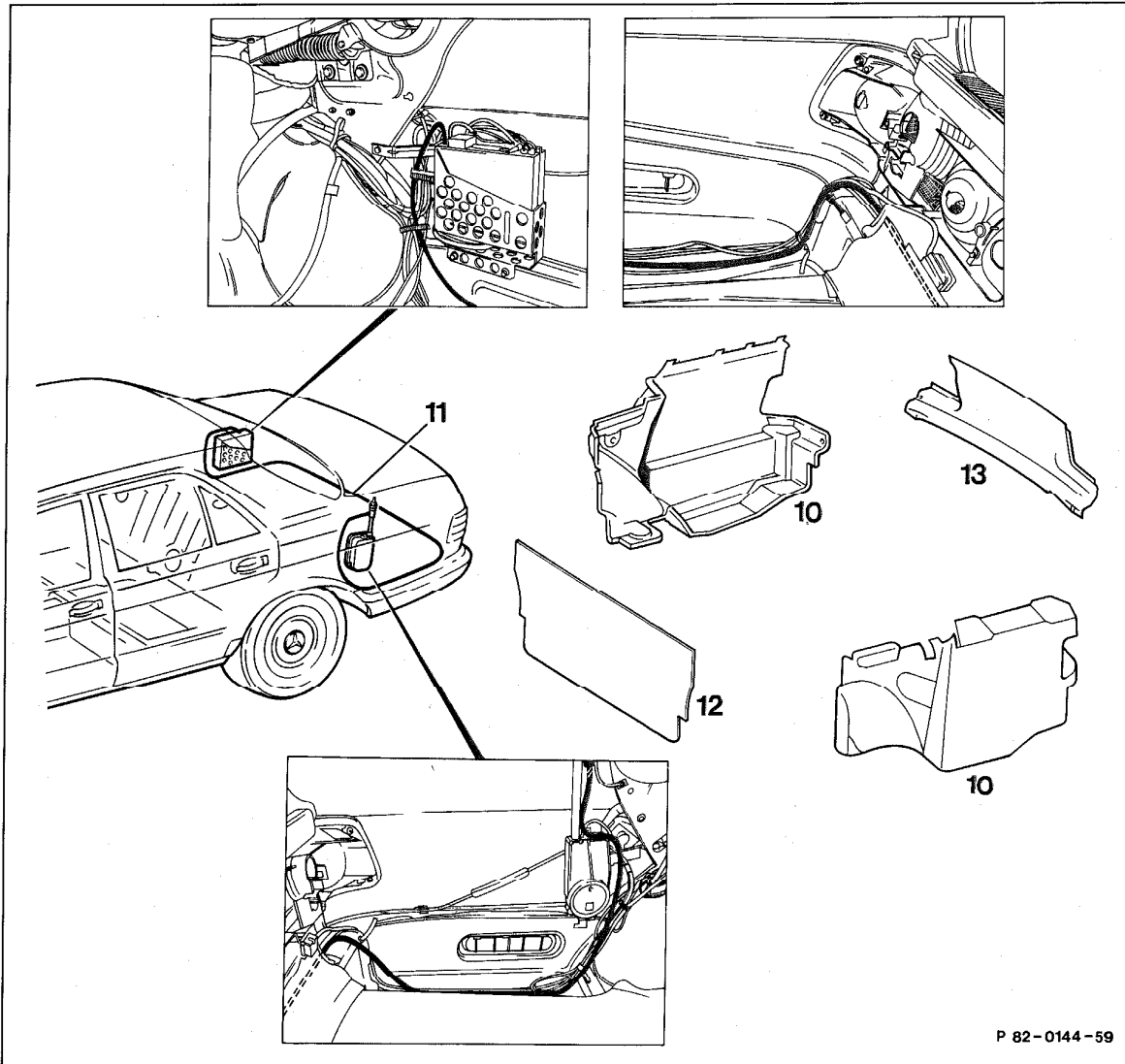
|                           |                                        |
|---------------------------|----------------------------------------|
| Entrance strips (8) ..... | left front and rear remove, reinstall. |
| Mounting clips (9) .....  | for floor carpet unclip, clip in.      |
| Floor carpet .....        | fold up and back.                      |
| Antenna cable (11) .....  | expose, secure.                        |
| Antenna cable (11) .....  | unscrew, remove, insert, secure.       |

**B. Two-piece radio**

Preliminary work:

Removal, reinstallation of partition panel between tank and trunk (68-0700)

Removal, reinstallation of cover in trunk (68-0480)



P 82-0144-59

P82-0144-59

- |                          |                                                           |
|--------------------------|-----------------------------------------------------------|
| Lining (13) .....        | on rear center piece partly remove, reinstall (68 - 485). |
| Antenna cable (11) ..... | on antenna and receiver disconnect, reconnect.            |
| Antenna cable (11) ..... | remove, install.                                          |