

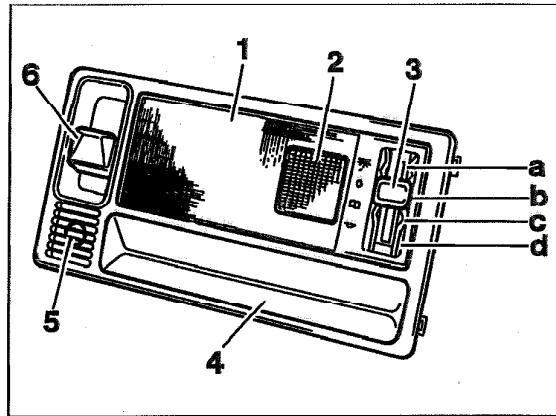
82-0012 Function of dome lamp control module

Dome lamp control module

The dome lamp control module contains the dome lamp with reading lamp, the belt warning lamp, the temperature sensor inside air and, if specially equipped with tilting/sliding roof, the switch.

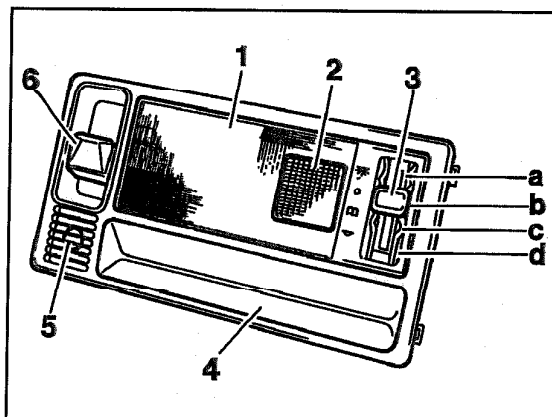
Dome lamp

- Switch position a : Dome lamp and reading lamp permanently switched on
- Switch position b : Dome lamp and reading lamp switched off
- Switch position c : Reading lamp switched on
- Switch position d : Dome lamp switched on with delay switch of 6 + 4 seconds.



P82-2484-13

The delay time of the dome lamp (6 + 4 seconds as before) is now interrupted when switching on the ignition (key position 2), i.e. the lamp is switched off.



- 1 Dome lamp
- 2 Reading lamp
- 3 Dome lamp switch
- 4 Belt warning lamp
- 5 Temperature sensor inside air
- 6 Tilting/sliding roof switch
(special equipment)

P82-2484-13

Belt warning lamp

A belt warning lamp is installed to draw attention to wear the safety belt. It flashes independent of putting on the belt. The belt warning lamp is controlled by the door contact switch and the delay electronics of the dome lamp. With the front door open, the belt warning lamp flashes permanently, with switch position "0" of the dome lamp only if the ignition is switched on (key position 2).

When the front door is closed, the belt warning lamp flashes for 12 ± 3 seconds. This time is reduced to 6 ± 1 seconds by switching on the ignition (key position 2). If the ignition is again switched on after this time (key position 2), the belt warning lamp flashes once more for 6 ± 1 seconds.