


## 54-345 Relay and control module locations

### A. Listing

	Plate/Figure No.
C1 SRS energy accumulator (up to 08/87) . . . . .	2/9
F1 Fuse and relay box (page 345/3-4)	
F12 Auxiliary fuse holder, auxiliary heater (page 345/3-4)	
F14 Auxiliary fuse holder, EDW system (page 345/3-4)	
K1 Overvoltage protection relay, 5-pole (6-cylinder) . . . . .	1/1
K1 Overvoltage protection relay, 5-pole (8-cylinder) . . . . .	1/2
K2 Headlamp washer relay (page 345/3-4)	
K4 Power window relay (page 345/3-4)	
K6 Power seat/window relay (page 345/3-4)	
K9 Auxiliary fan relay (page 345/3-4)	
K10 Auxiliary fan preresistor relay (page 345/3-4)	
K13 Heated rear window relay, outside (special protection) . . . . .	5/22
K13/1 Heated rear window relay . . . . .	5/22
K15 Auxiliary heater circulating pump relay . . . . .	2/9
K16 Auxiliary heater relay, terminal 15/30 (page 345/3-4)	
K17 Air injection relay (page 345/3-4)	
K20 Pressurizing pump relay . . . . .	1/5
N1/2 Electronic ignition control unit (EZL) . . . . .	1/4
N1/3 Electronic ignition control unit (EZL/AKR) . . . . .	1/4
N2/1 Emergency tensioning retractor (ETR) control unit . . . . .	2/8
N2/2 Supplementary restraint system (SRS) control unit . . . . .	2/8
N2/3 Warning module (seat belts) . . . . .	3/14
N2/4 Warning module (seat belts)  . . . . .	3/14
N3 CIS-C control unit (LHD) . . . . .	2/9
N3 CIS-E control unit (RHD) . . . . .	7/26
N4 Cruise control unit (LHD) . . . . .	3/14
N4 Cruise control unit (RHD) . . . . .	7/27
N4/1 Control unit electronic accelerator (LHD) . . . . .	3/14
N4/1 Control unit electronic accelerator (RHD) . . . . .	7/27
N4/2 Cruise control amplifier with reference resistor (LHD) . . . . .	3/14
N4/2 Cruise control amplifier with reference resistor (RHD) . . . . .	7/27
N6 Control unit compressor cut-out (6-cylinder) . . . . .	1/1
N6 Control unit compressor cut-out (8-cylinder) . . . . .	1/2
N7 Exterior lamp failure monitoring unit (page 345/3-4)	
N8 Idle speed control unit . . . . .	2/9
N10 Combination relay (turn/hazard signal, heated rear window, wiper motor) (page 345/3-4)	
N10/1 Control unit wiped area limitation (special protection) . . . . .	1/3
N10/2 Combination relay (turn-signal with trailer coupling, heated rear window, wiper motor) (page 345/3-4)	
N11/1 Heated rear window timer relay (special protection) . . . . .	5/22
N11/2 Heated windshield timer relay (special protection) (page 345/3-4)	
N11/3 Auxiliary/windshield heating mono valve timer relay . . . . .	2/9
N16/3 Fuel pump relay (6-cylinder) . . . . .	1/1
N16/3 Fuel pump relay (8-cylinder) . . . . .	1/2
N16/4 Fuel pump relay and kickdown cut-out (6-cylinder) . . . . .	1/1
N16/4 Fuel pump relay and kickdown cut-out (8-cylinder) . . . . .	1/2

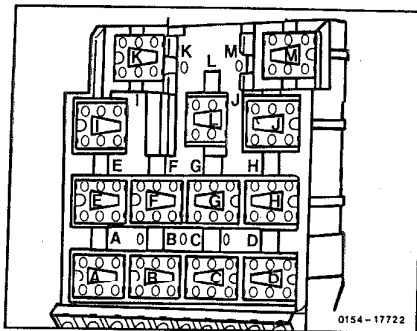
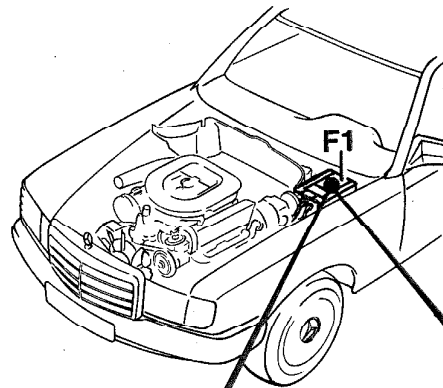
## 54-345 Relay and control module locations

---

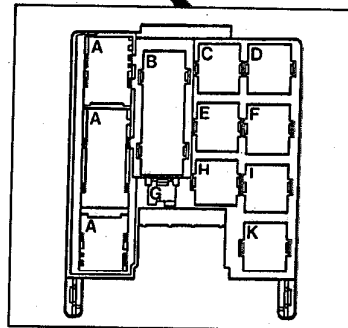
N20	Tempmatic control unit (LHD) . . . . .	2/7
N20	Tempmatic control unit (RHD) . . . . .	7/25
N20/1	Tempmatic rear control unit (special protection) . . . . .	6/24
N22	Automatic climate control unit . . . . .	3/12
N23	1st gear start-off relay (up to 10/85) . . . . .	3/14
N24	Voltage converter airbag (up to 08/87) . . . . .	2/9
N25/1	Left front seat heater relay (up to approx. 09/87) . . . . .	4/16
N25/2	Right front seat heater relay (up to approx. 09/87) . . . . .	4/16
N25/3	Left rear seat heater relay (up to approx. 09/87) . . . . .	5/21
N25/4	Right rear seat heater relay (up to approx. 09/87) . . . . .	5/21
N25/5	Front seat heater control unit (left) . . . . .	4/16
N25/6	Rear seat heater control unit (left) . . . . .	5/21
N26	EDW control unit (LHD) . . . . .	2/9
N26	EDW control unit (RHD) . . . . .	7/26
N26/1	Emergency alarm control unit . . . . .	3/13
N27	Anti-towing sensor (up to approx. 03/87) . . . . .	5/19
N28	Trailer turn-signal control unit (from 09/85 to 07/86) . . . . .	5/20
N28/1	Trailer monitoring control unit . . . . .	5/20
N29/2	Rear electronic blower control unit . . . . .	6/23
N30	ABS control unit . . . . .	1/2
N30/1	ABS/ASR control unit . . . . .	1/2
N31	Control unit comfort seat adjustment, left . . . . .	4/15
N32	Control unit comfort seat adjustment, right . . . . .	4/15
N32/1	Control unit seat adjustment with memory, front left . . . . .	4/15
N32/2	Control unit seat adjustment with memory, front right . . . . .	4/15
N32/3	Control unit seat adjustment with memory and steering column adjustment, front left . . . . .	4/15
N32/4	Control unit seat adjustment with memory and steering column adjustment, front right . . . . .	4/15
N33	Auxiliary heater control unit . . . . .	2/9
N35	Daytime driving lamp control unit (Norway) with automatic transmission . . . . .	3/14
N35	Daytime driving lamp control unit (Norway) with manual transmission . . . . .	2/6
N35/1	City driving lamp control unit (GB) . . . . .	7/27
N40	Amplifier control unit (terminal 58 D) . . . . .	3/10
N40/1	Amplifier (left speaker) control unit . . . . .	5/18
N40/2	Amplifier (right speaker) control unit . . . . .	5/18
N41	Trip computer control unit . . . . .	3/11
N42	Left seat belt extender control unit . . . . .	4/17
N43	Right seat belt extender control unit . . . . .	4/17
N46	Hydropneumatic suspension control unit (LHD) . . . . .	3/14
N46	Hydropneumatic suspension control unit (RHD) . . . . .	7/27
N47	ASD control unit . . . . .	1/1
R29	Cruise control reference resistor (LHD) . . . . .	3/14
R29	Cruise control reference resistor (RHD) . . . . .	7/27
R14/1	Rear blower motor preselector control (special protection) . . . . .	6/24
V1	Power seat diode (page 345/3)	

## 54-345 Relay and control module locations

### B. Arrangement and identification of relays in fuse and relay box



Relay holder 1st version up to approx. 09/85



Relay holder 2nd version as or approx. 09/85

#### 1st version (up to approx. 09/85)

Code letter	Relay – Function	Engine	National version
A	Headlamp cleaning system seat adjustment (main relay)		(USA)
B	Auxiliary fan		
C	Auxiliary fan (preresistor) Heater coil choke cover (preresistor) <sup>2</sup>	116, 117 110.92	
D	A/C compressor <sup>1</sup>		
E	Power window/seat adjustment (comfort circuit) Seat adjustment (comfort circuit)		except (S) (USA) (USA)
F	Power window/seat adjustment (main relay)		

## 54-345 Relay and control module locations

Code letter	Relay – Function	Engine	National version
G	Auxiliary heater (blower motor, change-over from terminal 15 to terminal 30)	116	(J) (USA)
	Electromagnetic coupling air pump		(AUS) (S)
	Speed stabilization (separation air conditioning/temperature switch 100 °C)	110	(AUS)
H	Auxiliary heater (control, change-over from terminal 15 to terminal 30)		(AUS)
	Coupling (without relay) for indicator lamp brake fluid level monitoring		
I	ABS (main relay) <sup>1)</sup>		except (J) (USA)
	ABS with overvoltage protection <sup>2)</sup>		(USA)
	Lambda control with overvoltage protection		
J	Overvoltage protection ABS <sup>1)</sup>	110	
	A/C compressor without delay <sup>2)</sup>	116	(AUS) (J) (S) (USA)
	A/C compressor with delay <sup>2)</sup>	116, 117	
K	Heated rear window <sup>1)</sup>		
L	Intermittent wiping and washing <sup>1)</sup>		
M	Fuel pump with electronic maximum governed speed <sup>1)</sup>		
	Choke cover stage heater <sup>1)</sup>		

<sup>1)</sup> Up to approx. 09/81  
<sup>2)</sup> As of approx. 09/81

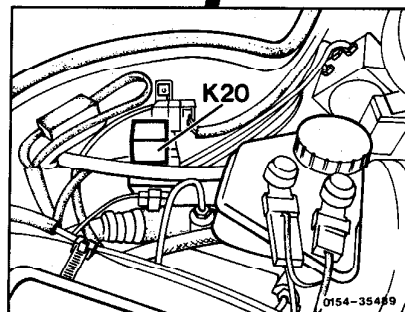
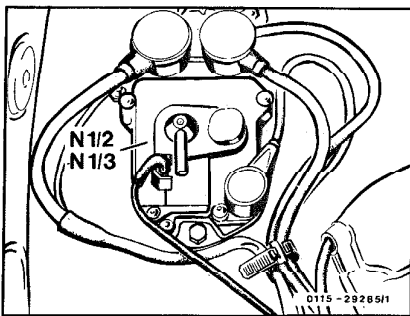
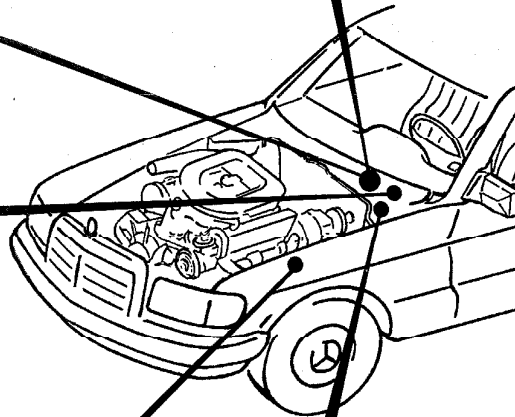
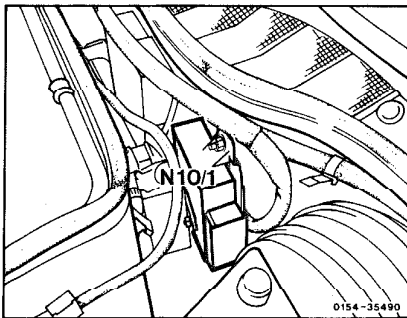
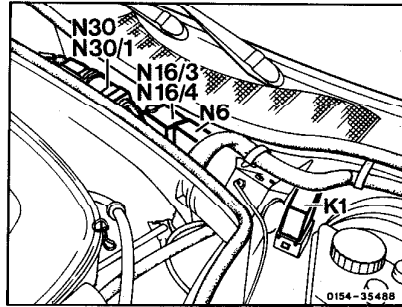
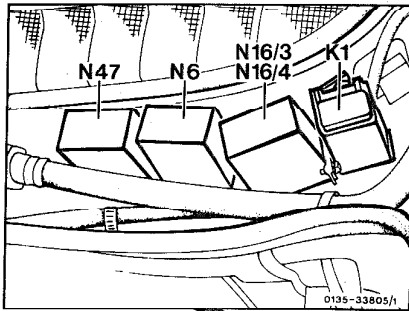
### 2nd version (as of approx. 09/85)

Code letter	Designation	Relay – Function
A	N7	Bulb failure monitoring unit
B	N10 (N10/2)	Combination relay (turn signal, heated rear window, wiper motor)
	N11/2	Timer relay heated rear window (special protection)
C	K9	Auxiliary fan
D	K10	Auxiliary fan preresistor
E	K17	Air injection relay
F	K2	Headlamp cleaning system
G	V1	Power seat diode, except power seat (S) (USA)
		Power seat diode (S) (USA)
H	K6	Seat adjustment, except power window (S) (USA)
		Seat adjustment (S) (USA)
I	K16	Auxiliary heater control except (S) (USA)
	K4	Power window (S) (USA)
K	F12	Auxiliary fuse holder 2-fold auxiliary heater except (USA)
	F14	Auxiliary fuse holder 2-fold Anti-theft warning system, EDW system (USA)

# 54-345 Relay and control module locations

## C. Arrangement and identification of relays and control units in the vehicle

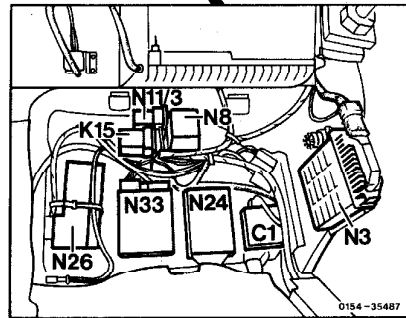
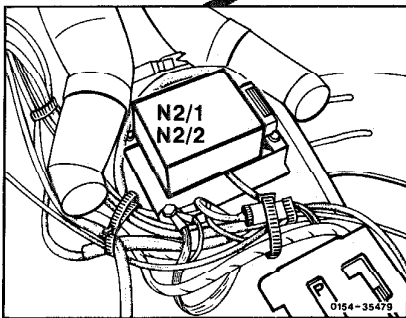
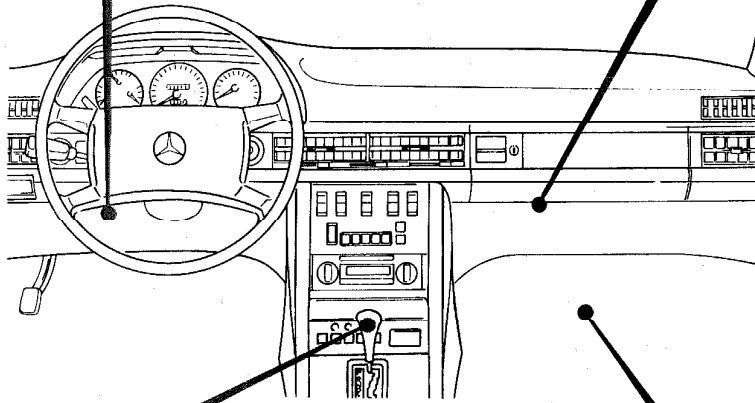
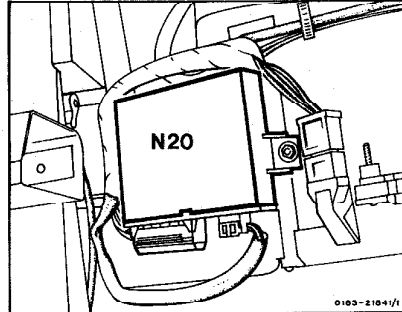
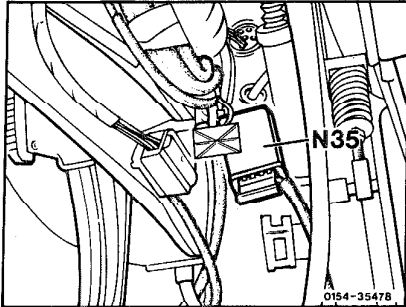
Plate 1



1543-16054

# 54-345 Relay and control module locations

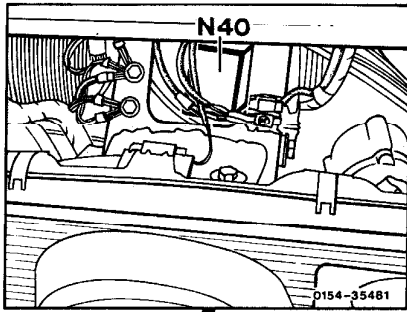
Plate 2



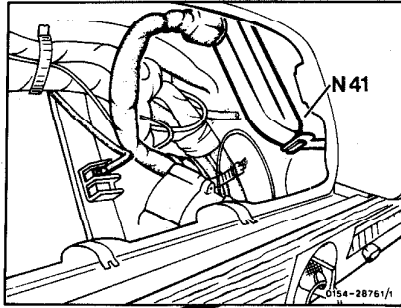
1543-16057

# 54-345 Relay and control module locations

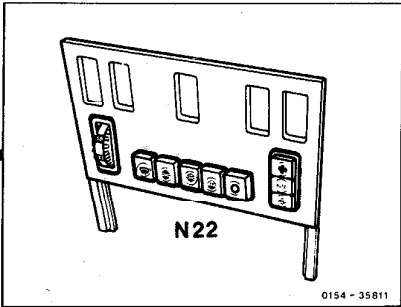
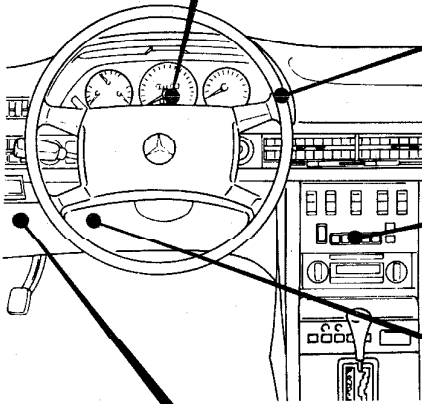
Plate 3



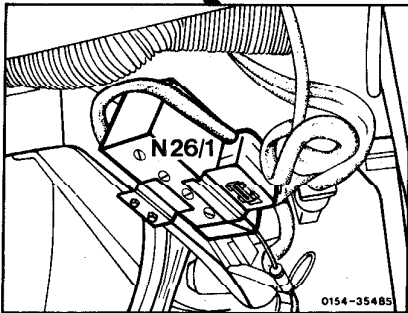
10



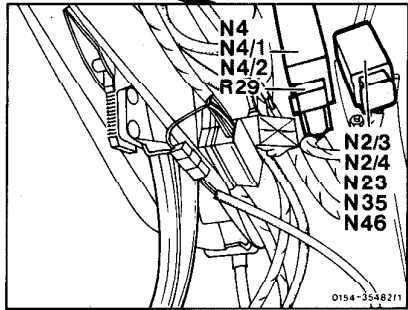
11



12



13

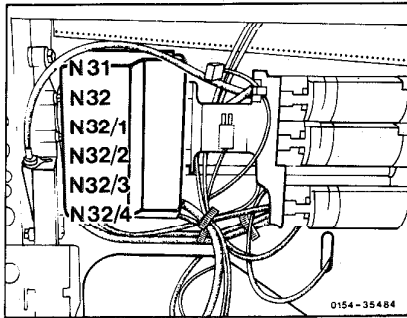


14

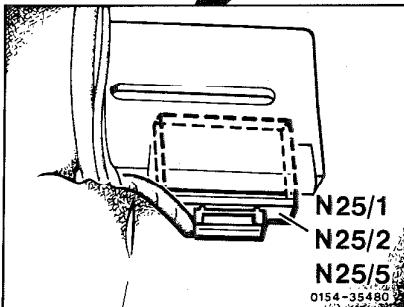
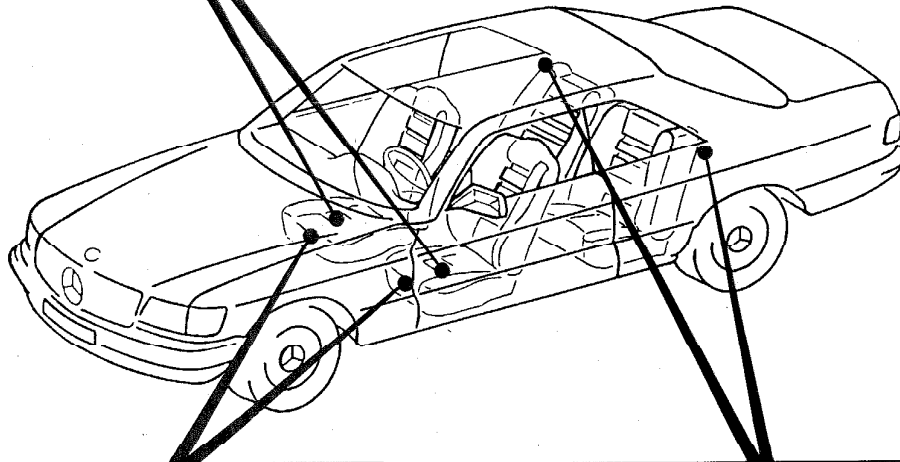
1543-16055

# 54-345 Relay and control module locations

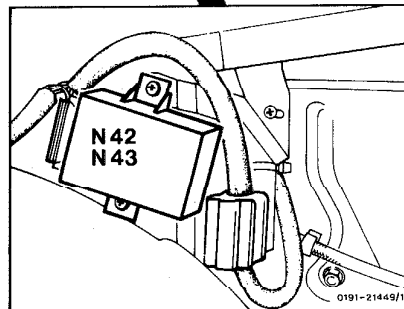
Plate 4



15



16

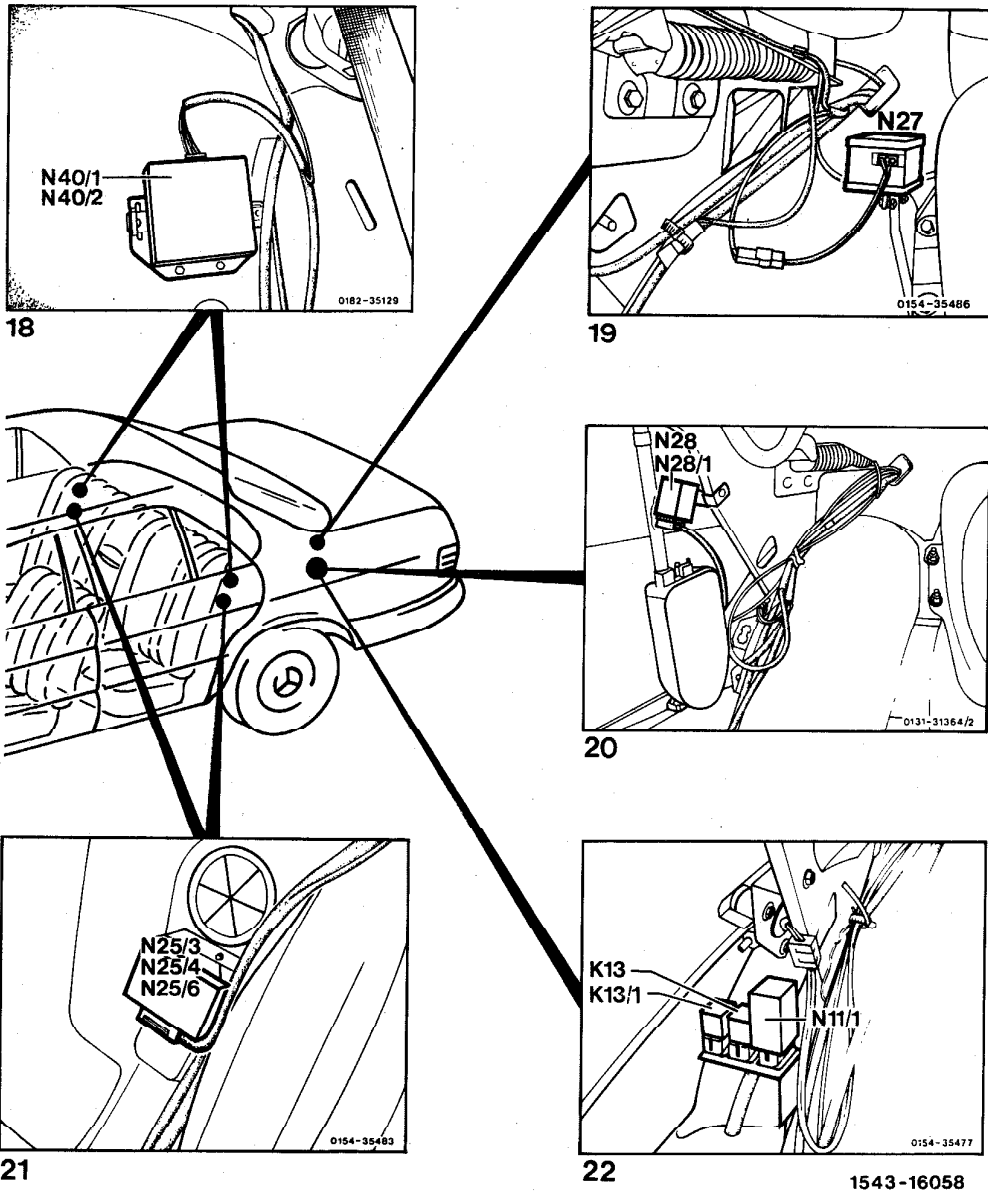


17

1543-16053

# 54-345 Relay and control module locations

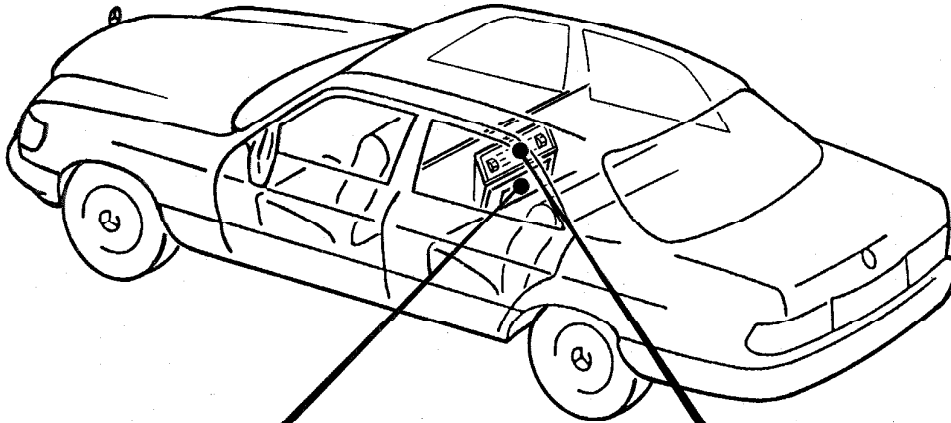
Plate 5



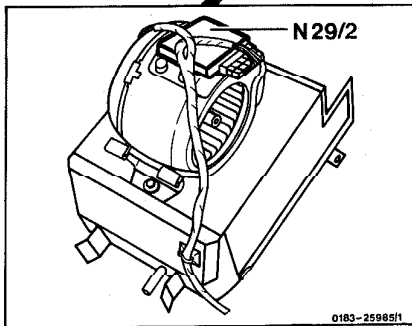
54-345 Relay and control module locations

---

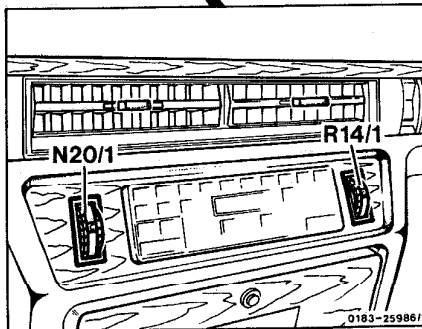
Plate 6



23



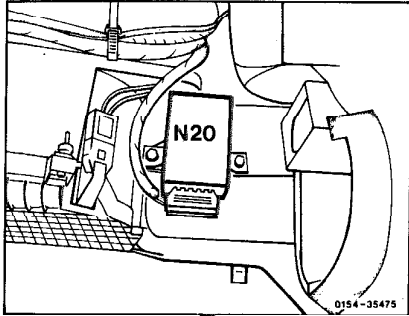
24



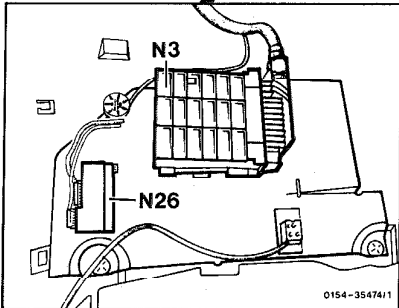
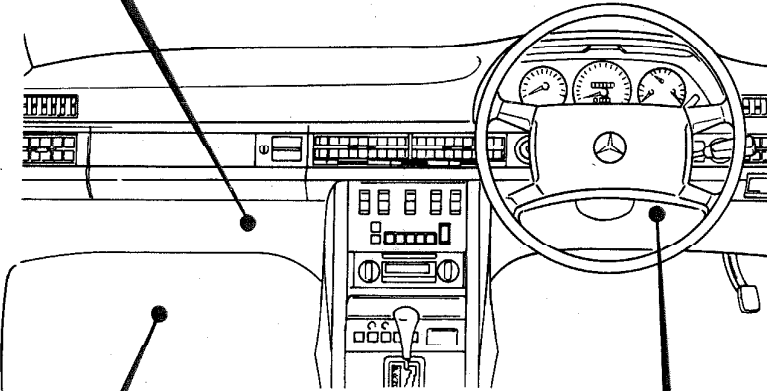
1543-16066

# 54-345 Relay and control module locations

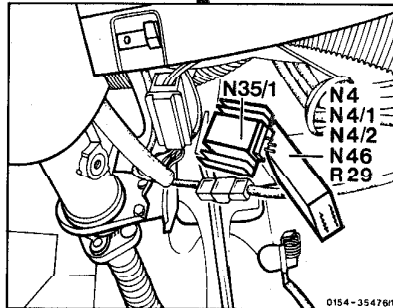
Plate 7



25



26



27

1543-16056