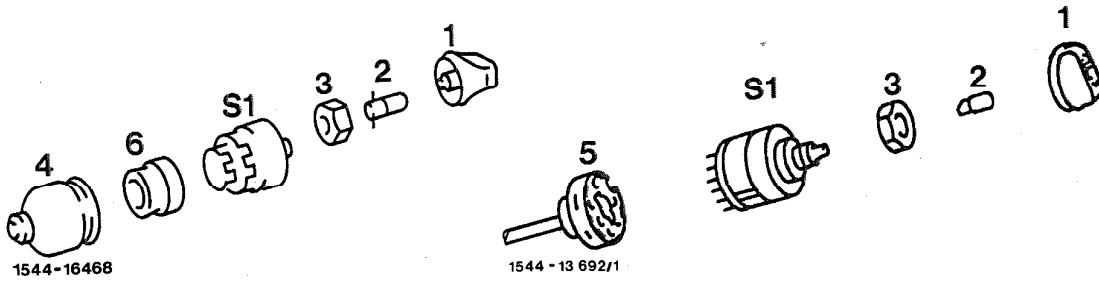


54-305 R and R rotary light switch



1st version up to 08/85

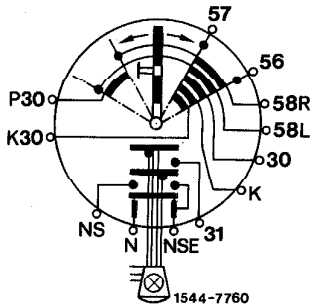
2nd version as of 09/85

Battery	disconnect, connect
Cover	under instrument panel remove, reinstall (68-160)
Rotary knob (1)	pull off, fit to rotary light switch
Bulb (2)	pull out, insert
Mounting nut (3)	screw out, screw in
Rotary light switch (S1)	remove from the bottom, install from the bottom. Observe Note for 1st version.
Rubber cover (4)	remove, fit (only 1st version)
Electrical connections	unscrew, screw on (only 1st version)
Protective cap (6)	remove, fit (only 1st version)
Coupling (5)	pull off, fit (only 2nd version)

Note

With the 1st version it must be ensured that the rotary light switch engages in the recess during installation.

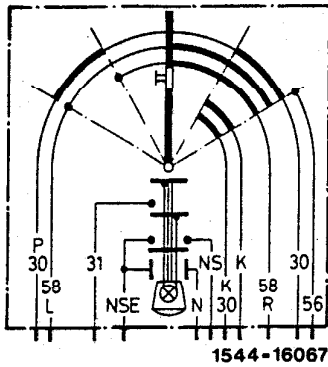
54-305 R and R rotary light switch



Connection diagram rotary light switch up to 08/85

Terminal	Designation	Line cross section	Line colors
30	Battery positive	2.5	red
K 30	License plate lamp input	0.75	grey/red
P 30	Standing lamp input	0.75	green/white
31	Ground for fog tail lamp	1.5	brown
56	Low beam	2.5	white/yellow
57	—	—	—
58 L	Parking lamp, tail lamp left	1.5	grey/white
58 R	Parking lamp, tail lamp right	1.5	grey
NSE	Fog tail lamp and fog lamp input	1.5	grey/yellow/green
NS	Fog tail lamp unit output	1.5	grey/green
N	Fog lamp output	1.5	grey/green
K	Instrument lamps input	0.5	grey/green/purple
	License plate lamp	0.75	grey/purple
	Ashtray lamp	0.75	grey/purple

54-305 R and R rotary light switch



Connection diagram rotary light switch as of 09/85

Terminal	Designation	Wire cross section	Wire colors
30	Battery plus	2.5	red
K 30	Licence plate illumination input	0.75	grey/red
P 30	Parking light input	0.75	green/white
31	Ground for fog tail lamp	0.75	brown
56	Driving light	2.6	white/yellow
58 L	Parking, tail light left	1.5	grey/white
58 R	Parking, tail light right	1.5	grey
NSE	Fog tail lamp and fog lamp input	1.5	grey/yellow/green
NS	Fog tail lamp output	0.75	grey/green/white
N	Fog lamp output	1.5	grey/green
K	Instrument illumination	0.75	grey/purple