

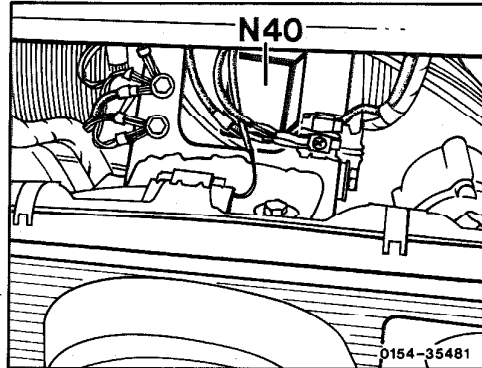
54-262 Instrument illumination intensity control

As of 08/85

The previously used light intensity control via the control resistor in the instrument cluster (terminal 58d) is no longer adequate in capacity if power windows, automatic temperature control, automatic climate control, trip computer, seat heater, auxiliary heater are installed and is therefore replaced by an electronic circuit (terminal 58 D).

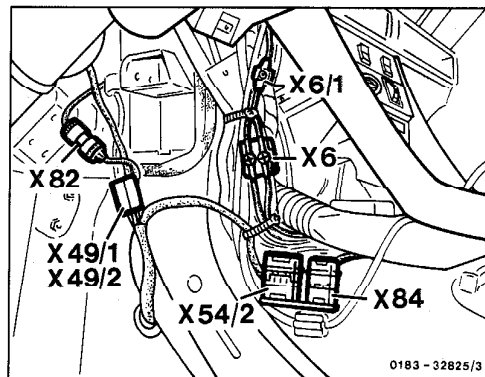
Arrangement

N40 Amplifier control unit 58 D



Arrangement

X6 Terminal block, terminal 58 d (2-pole)
X6/1 Terminal block, terminal 58 D (1-pole)



Wiring diagram

N40 Control unit terminal 58 D
W1 Main ground (behind instrument cluster)
X6 Terminal block terminal 58 d
X6/1 Terminal block terminal 58 D
a To fuse No. 2 (terminal 30)
b To 8-pole coupling jack 8, instrument cluster (terminal 58 d)

