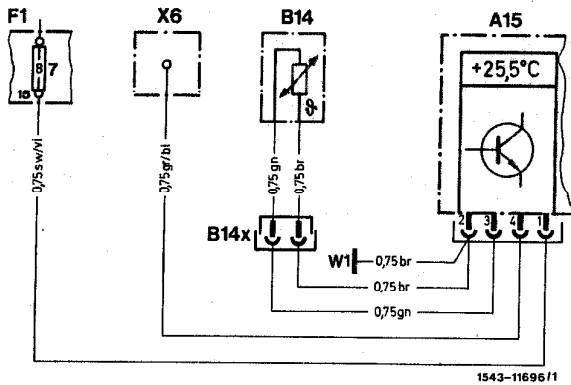


## 54-261 Testing outside temperature gauge



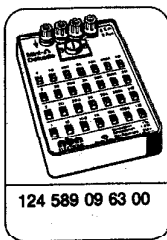
Steering wheel .....	remove, reinstall (merely move out steering column completely on vehicles with electric steering column adjustment)
Instrument cluster .....	remove, reinstall (54-250)
Voltage .....	test on coupling outside temperature gauge A 15, between jack 1 (terminal 15) and jack 2 (ground). (Key position 2 battery voltage)
Lighting .....	test, between jack 4 (instrument illumination) and jack 2 (ground), lighting switched on.
If the values are not attained, contacts and wires .....	check for interruption Fuse and relay box (F1), main ground behind instrument cluster (W1), terminal block terminal 58d (X6) and connectors.
Temperature sensor (B14) .....	check
	°C      Resistance (ohm)
	± 0      9800 ± 100
	+ 20      3750 ± 70
	+ 40      1600 ± 40
Gauge (A15) .....	check
	Plug 1 apply voltage
	Plug 2 apply ground
	Plug 2 and plug 3 enter resistance values with ohm decade
	Resistance (ohm)      Indication
	53 100      -30° ± 2 °C
	9 800      ± 0° ± 0.5 °C
	1 080      + 50° ± 50° ± 1°

Note: Measuring range -38 °C to + 58 °C  
(indication in steps of 0.5 °C)

## 54-261 Testing outside temperature gauge

---

### Special tools



### Commercially available tester

---

Multimeter

e.g. Sun, DMM-5  
or Avometer 2001

---