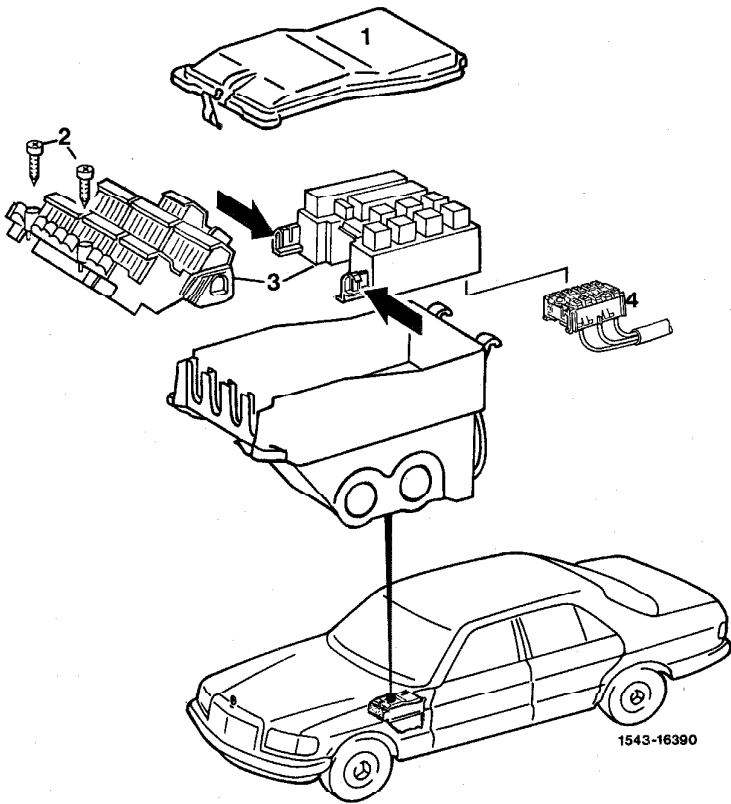


54-160 R and R fuse and relay box

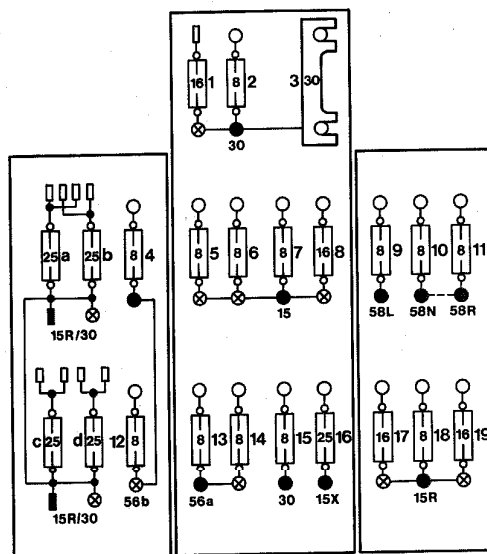


1543-16390

- | | |
|-----------------------------------------|---------------------------|
| Fuse box lid (1) | loosen clasp and remove |
| Screws (2) | loosen and remove |
| Fuse carrier and relay holder (3) | remove |
| Fuse carrier (arrows) | unclip from relay holder |
| Relay couplings (4) | unclip from relay holder |
| Fuse carrier | unscrew electrical cables |
| Fuse and relay box | install in reverse order |

Fuse carrier

- Fuse feed screwed (terminals)
- Fuse feed plugged (coupling)
- Protected fuse connection screwed (terminals)
- Protected fuse connection plugged (coupling)
- ⊕ Without cable connection



1544-13215/3