

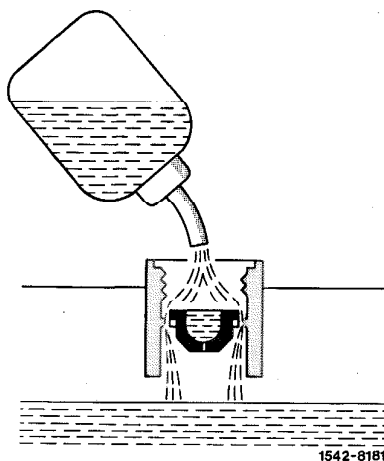
54-001 Filling battery with overfill protection

Note

The battery may only be refilled when the acid level has dropped below „min“.

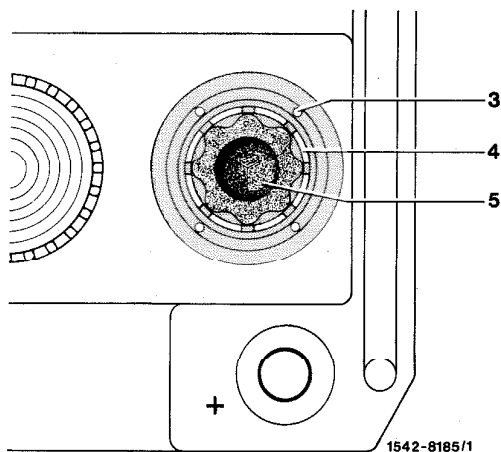
The overfilling protection prevents that the fluid level rises above the „max“ mark during refilling.

The diaphragm may not be perforated or removed when refilling with distilled water. It must also be ensured that batteries with overfilling protection are not closed with cell plugs of previous batteries without overfilling protection. These cell plugs have a ventilation hole in the top cover.

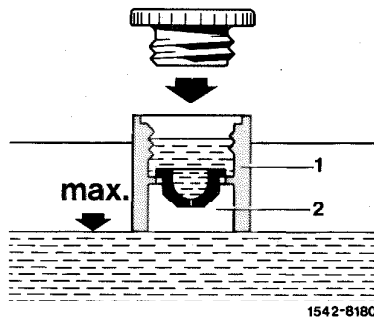


A. Refilling

The distilled water enters the cell through the circular slots (4). The air displaced in the cell escapes into the atmosphere by means of 4 ventilation holes (3).



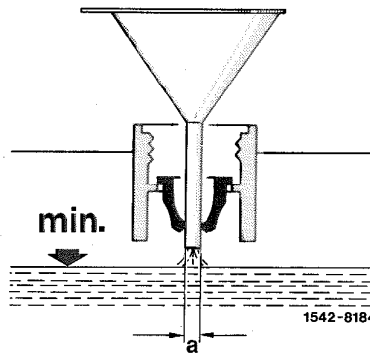
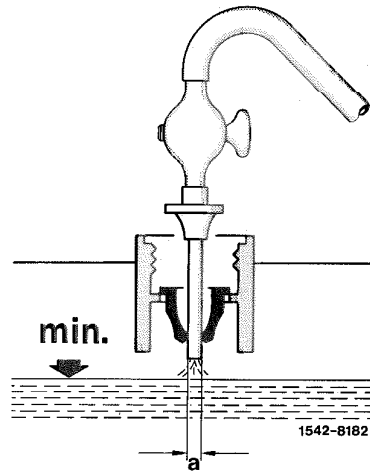
If the filling level reaches the „max“ mark it simultaneously closes the ventilation passages. The air can no longer escape and an air cushion (2) is created in the cell. This air cushion prevents that additional fluid from the filling space can run into the cell. The battery has been filled to the maximum.



54-001 Filling battery with overfill protection

B. Initial filling

During initial filling with acid insert the filling device or a commercially available funnel through the diaphragm and fill the battery up to the „min“ mark.



a = max. 9 mm

Further filling to the „max“ mark is done through the slots with closed diaphragm.

Note: If a battery with overfilling protection is scrapped, remove the rubber diaphragms for emptying.

