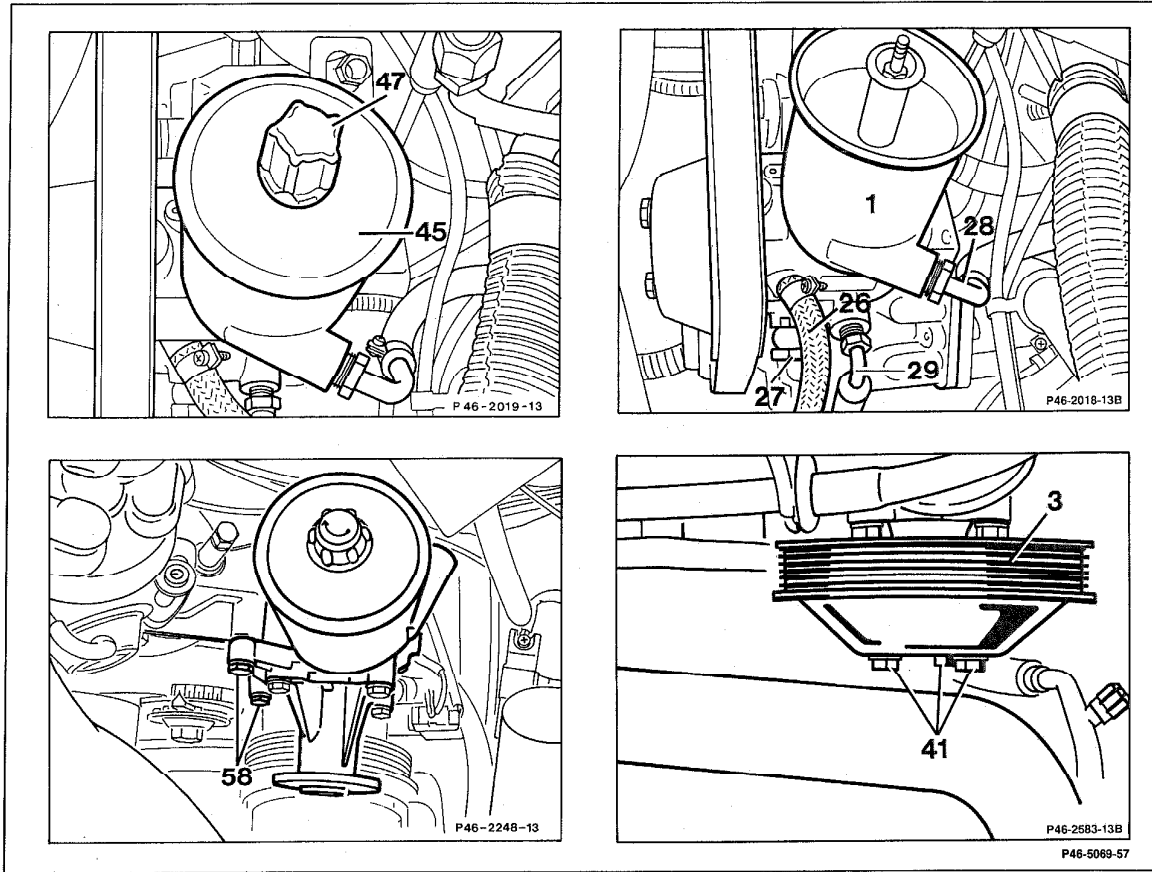


A. Power steering pump with single-belt drive (VT 161, ZL 161 and VTP 162)



P46-5069-57

- | | |
|--|---|
| Cover (45) with bleed cap (47) | screw off, screw on. Extract oil with extraction syringe 112 589 00 72 00. |
| Return line (28) and high-pressure expansion hose (29) | screw off power steering pump (1), screw on.
High-pressure expansion hose 25-30 Nm,
return line 35-45 Nm. |
| On vehicles with level control, ASD | |
| Oil line (26), high-pressure hose (27) | screw off, screw on, 25 Nm. |

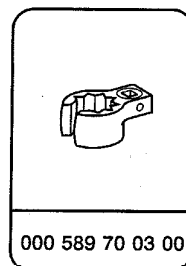
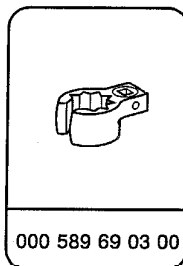
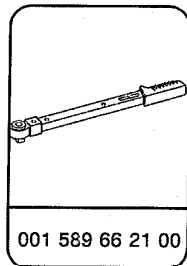
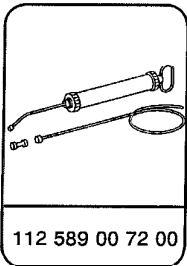
46-710 R and R power steering pump

Poly-V-belt	loosen, release tension, remove and install (13-340).
Pulley (3)	screw off, screw on, 30 Nm.
Bolts (58)	screw out, screw in, 25 Nm.
Power steering pump (1)	remove, install. Plug line connections with stoppers.
Power steering pump (1)	fill and bleed (46-715).

On vehicles with level control, ASD

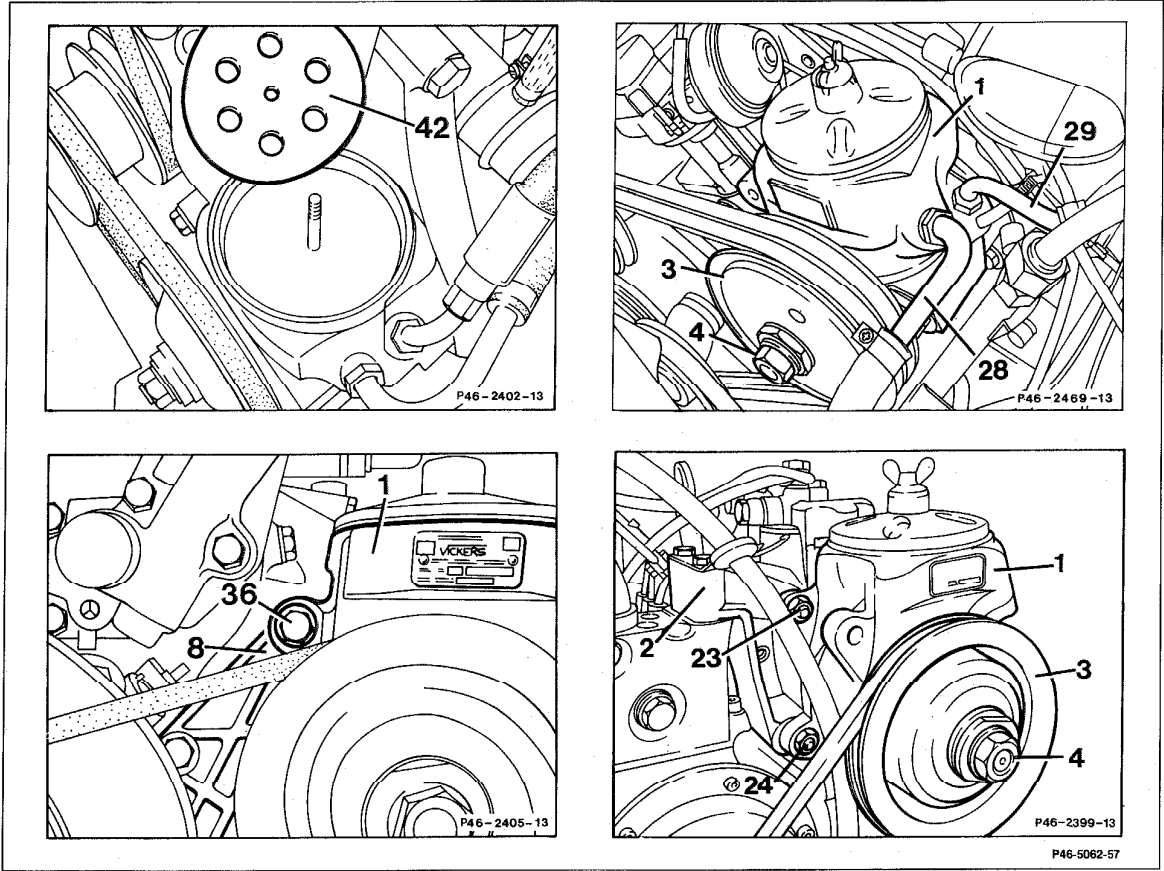
Tandem pump pressurized oil system	bleed (32-630).
--	-----------------

Special tools



46-710 R and R power steering pump

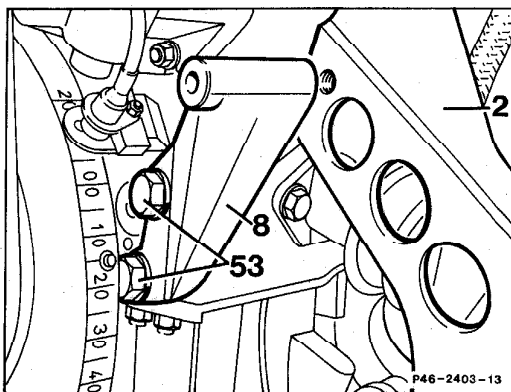
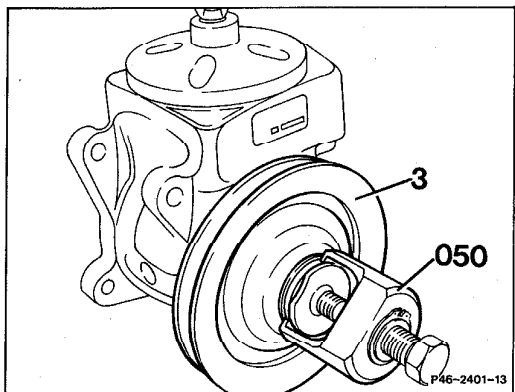
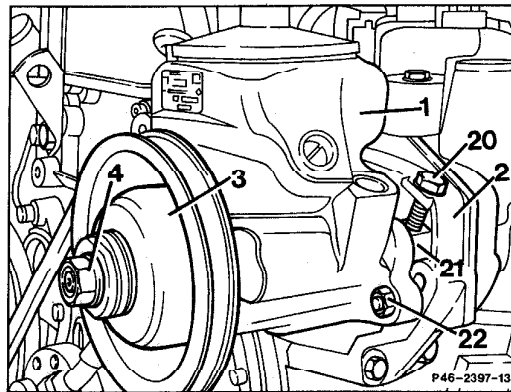
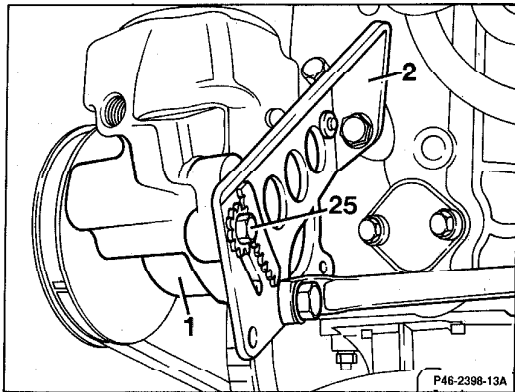
B. Power steering pump with V-belt drive (VT 49, ZL 49)



P46-5062-57

46-710 R and R power steering pump

Sealing cap and top stabilizer plate (42)	remove, install, extract oil from supply reservoir with extraction syringe 112 589 00 72 00.
Hex. nut (4)	on pulley (3) screw off, screw on, 50 Nm.
V-belt	remove, install (13-340).
Return line (28) and high-pressure expansion hose (29)	screw off of power steering pump (1), screw on. High-pressure expansion hose 45-50 Nm, return line 35-45 Nm.
Hex. head bolts (36, 23, 24, 22)	loosen, screw off, screw on, 25 Nm.



P46-5073-57
P46-5073 57

46-710 R and R power steering pump

Tensioning bolt (25)	screw off hex. nut, screw on. Turn tensioning bolt (25) to release tension on V-belt and remove, install. Screw off tensioning bolt (25), screw in.
Power steering pump (1)	remove, install. Plug line connections.
Tensioner (21)	remove, install.
Pulley (39)	remove with puller (050) 108 589 02 33 00, install.
Support (2) and mount (8)	check for tight seat, retighten bolts (53), if required.
Power steering pump (1)	fill and bleed (46-715).

Special tools

