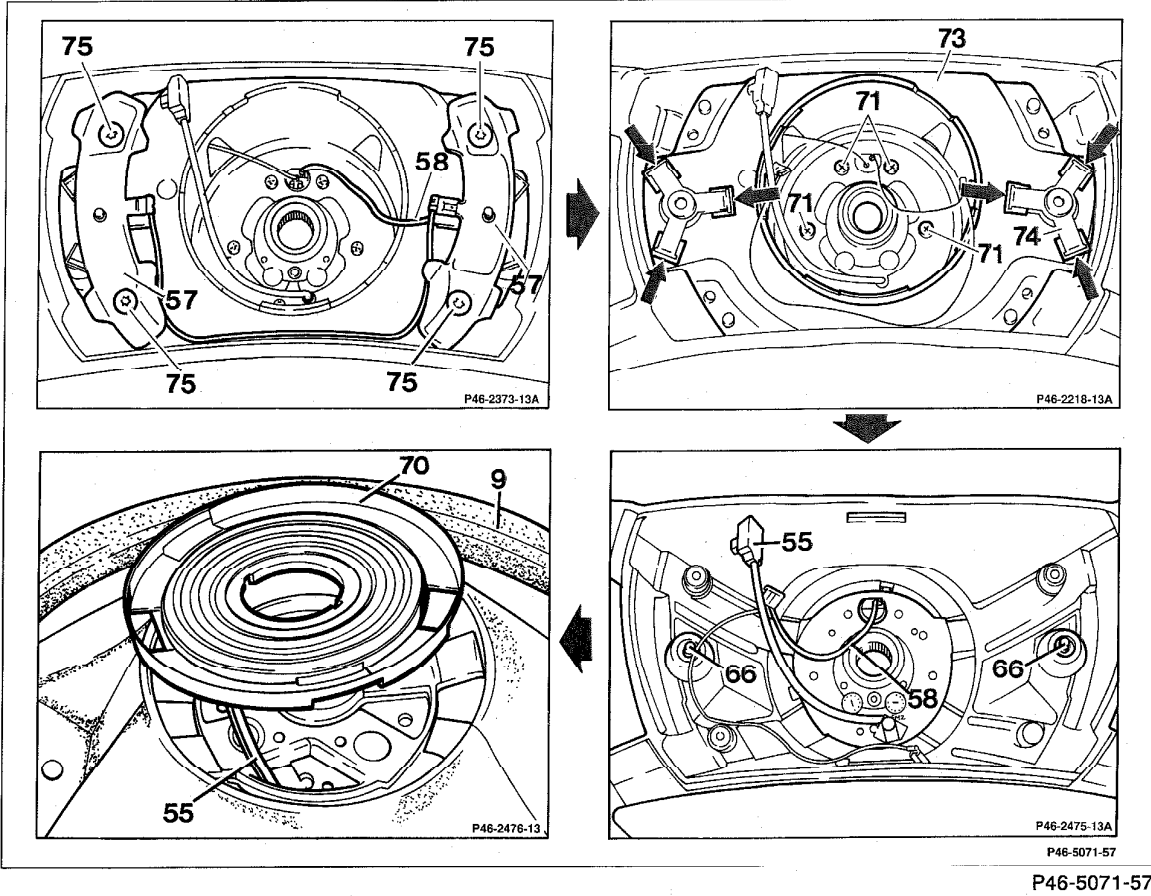


46-612 R and R steering wheel slip ring

Preliminary work:
Steering wheel removed (46-610).



46-612 R and R steering wheel slip ring

Line (58)	disconnect, connect and remove from rubber sleeve in impact absorber (73), install.
Torx head screws (75)	screw out, screw in and remove contact bridges (57), install.
Triangular springs (74)	remove, install.

Note

The insulating plates (arrows) should remain in the impact absorber (73).

Phillips screw (71)	screw out, screw in.
Oval head screws (66)	remove from steering wheel (9), screw in.
Impact absorber (73)	remove, install.
Plug connector (55)	disconnect, reconnect.
Slip ring (70)	remove from steering wheel (9), install.