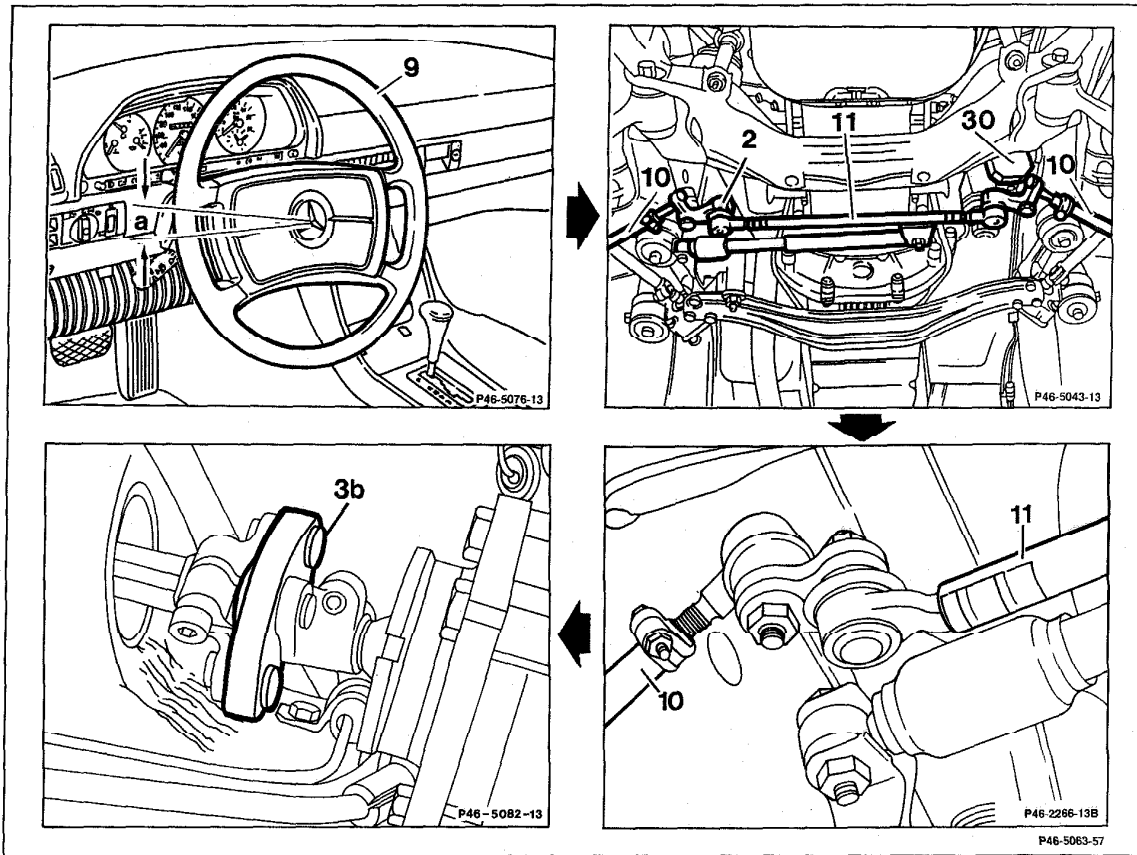


46-110 Checking steering play

Preliminary work:

Wheel bearing axial play checked (33-300).

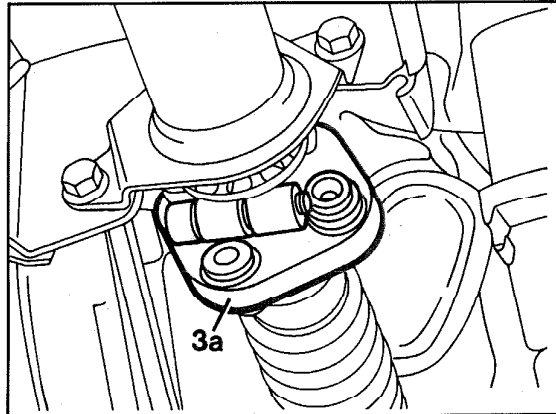


P46-5063-57

Steering wheel (9)	check play with front wheels arrested or loaded. The maximum play at the circumference of the steering wheel in the straight-ahead (center) position with the engine off is 25 mm (a).
Pitman arm (2)	check bearing play (46-520).
Grease seals on center link (11) and tie rods (10)	check for damage, replace center link (11) or tie rod ball joints (10) (46-550 or 46-540).
Flexible joint	check between bottom steering spindle (corrugated tube) and jacket tube as well as between bottom steering spindle and steering gear.

Note

The upper flexible joint (3a) can only be replaced together with the bottom steering spindle.



P46-5078-13

Note

The steering gear has been equipped with automatic play compensation since 08/81. This is only effective in the center position. If abnormal play is not found in the steering linkage and front axle, check and adjust built-in steering gear observing adjustment instructions precisely (46-480).