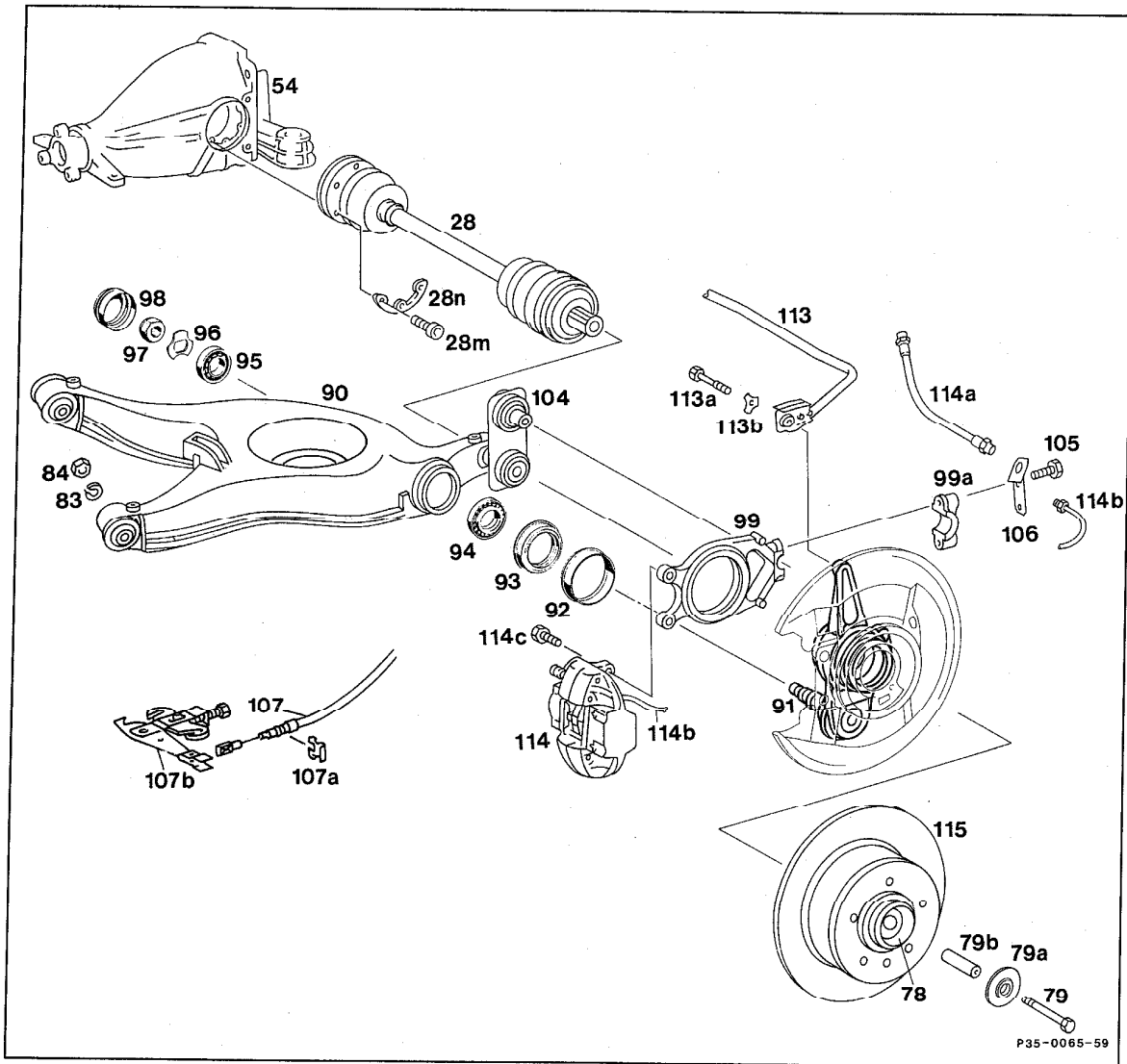


35-0350 R and R and adjust wheel carrier

Preliminary work:
R and R wheels 40-0110

Semi-trailing arm rear suspension with anti-squat geometry



P35-0065-59

- | | | |
|---|-------|---|
| Rear axle shaft (28) | | remove, install (35-0620). |
| Necked down bolt (113a) of stabilizer bar (113) | .. | remove, install, replace. 80 Nm.
Torque wrench 001 589 66 21 00. |
| Brake cable (107) on compensating lever (107b) | . | remove, install (42-0525). |
| Brake hose (114a) | | detach, assemble (Step 4). |

35-0350 R and R and adjust wheel carrier

Caliper (114) and brake disc (115)	remove, install (42-0530).
Cover (98)	pull off with puller 116 589 06 33 00 and drive on with punch 116 589 07 15 00.
Self-locking hexagon nut (97)	unscrew, screw in, replace. Tighten up to 40 - 50 Nm while simultaneously turning wheel carrier. Apply one setting blow each against inside and outside of wheel carrier bearing pin with a brass or aluminum mandrel. Tighten again to 40 - 50 Nm. Torque wrench 001 589 66 21 00 (Step 8).
Washer (96)	remove, put on.
Caliper carrier (99 and 99a)	detach from link pivot shaft, tighten up. 25 Nm. Torque wrench 001 589 66 21 00 (Step 9).
Wheel carrier (91)	pull out, insert at coupled semi-trailing arm (90).
Taper roller bearing inner race (95)	remove, put on.
Seal (93)	press on with installer 201 589 01 43 00 (Step 12).
Outer race of taper roller bearing (94)	pull out coupled semi-trailing arm with puller 201 589 00 33 00.
Outer race of taper roller bearing (95)	knock out of coupled semi-trailing arm with puller 116 589 04 15 00. Pull on both bearing outer races with installer 201 589 01 43 00. Fill cavity with 55 g of grease, refer to specifications for service products page 266.2 (Step 14).
Protective ring (92)	remove, drive on with suitable tool (Step 15).
Inner race of taper roller bearing (94)	pull off with puller 001 589 36 33 00 and collet 00 589 01 34 00 and drive on with suitable tube (only in event of damage, Step 16).

35-0350 R and R and adjust wheel carrier

Adjustment of wheel bearing

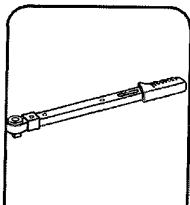
Wheel carrier	Bearing pin for inner taper roller bearing	19.050
		19.041
	Tightening torque of self-locking hexagon nuts	40 + 10 Nm

Lubricants/grease capacity

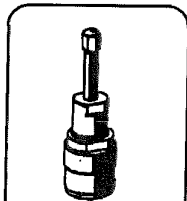
Lubricants	Long-life lubricant Long term 1 produced by Dow Corning GmbH, Munich or Olistamoly 1 produced by Optimol-Ölwerke GmbH, Munich (refer to factory approved service products list)	
------------	---	--

Quantity per side	45 g
-------------------	------

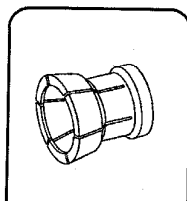
Special tools



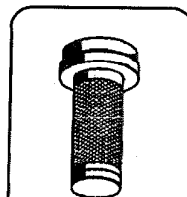
001 589 66 21 00



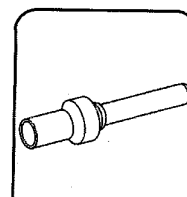
001 589 36 33 00



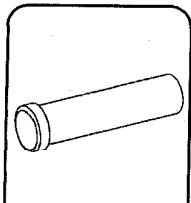
000 589 01 34 00



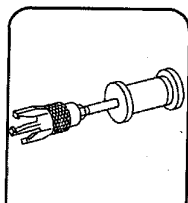
116 589 03 15 00



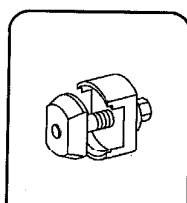
116 589 04 15 00



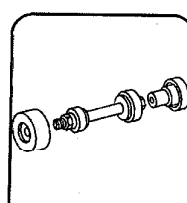
116 589 07 15 00



116 589 06 33 00



201 589 00 33 00



201 589 01 43 00

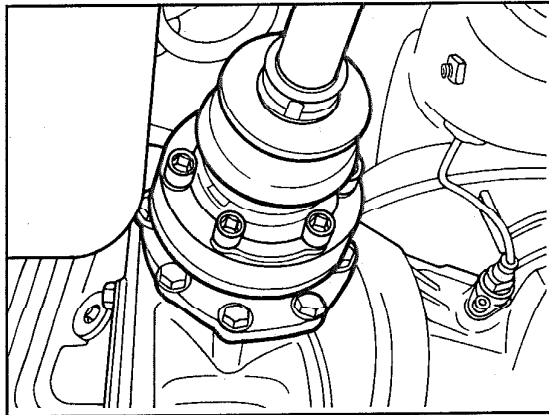
Note

The wheel carrier can be stripped down, assembled and adjusted on vehicle with the coupled semi-trailing arm installed.

Removal and installation

Preparatory work with coupled semi-trailing arm installed.

1 Removal and installation of rear axle shaft (35-0620).

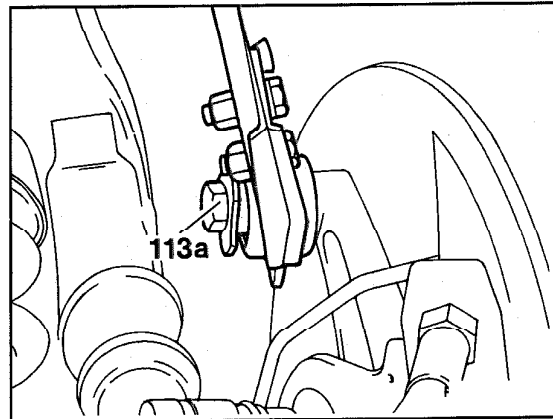


P35-2106-13

2 Detach and tighten necked down bolt (113a) for attaching stabilizer bar to the wheel carrier (32-0325).

Note

Replace necked down bolt, 80 Nm.
Torque wrench 001 589 66 21 00.

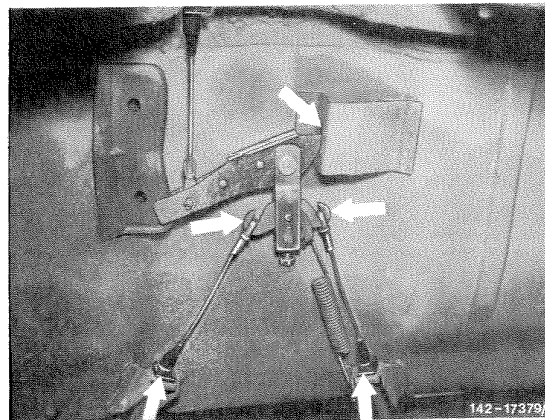


P35-2165-10

3 Detach, assemble brake cable on compensating lever of parking brake (42-0525).

Note

Adjust parking brake (42-0525).



142-17379/1

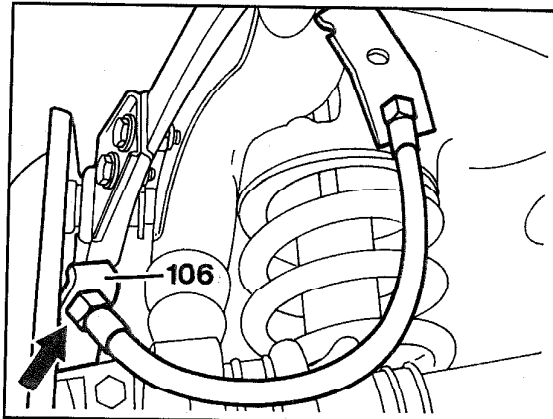
35-0350 R and R and adjust wheel carrier

4 Detach, assemble brake hose on bracket of caliper carrier (106) and brake line at caliper (arrow).

Seal brake lines or hose against entry of contaminant.

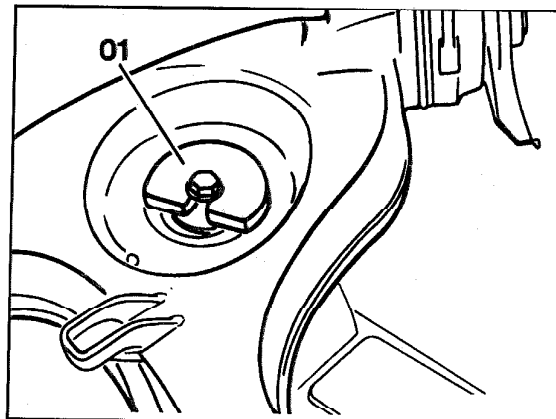
Note

Ensure brake line and hose are correctly routed.
Bleed brake system (42-0010).



P35-2166-13

5 Clamp coupled semi-trailing arms into vise with clamping fixture (01, if available 116 589 03 31 00).



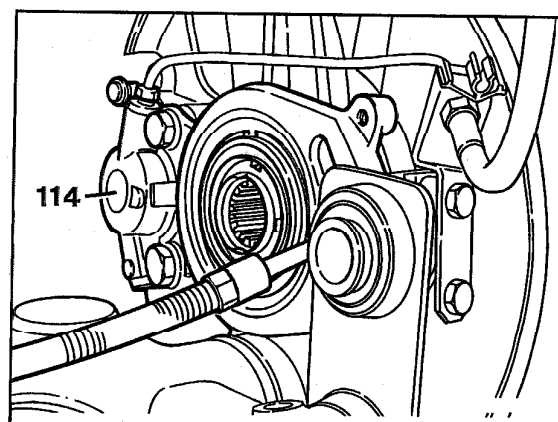
P35-2446-13

The following work is identical whether coupled semi-trailing arm is installed or removed.

6 Remove, install caliper (114) and brake disc (42-0530).

Note

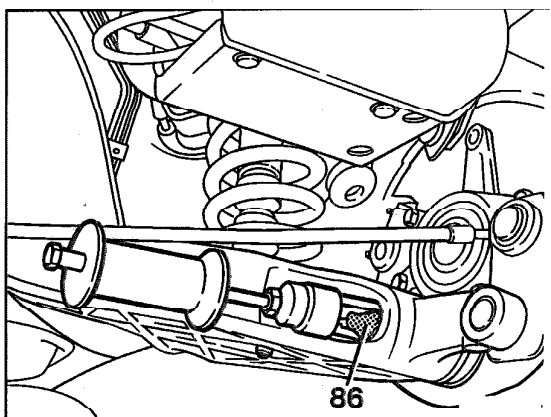
Replace self-locking hexagon bolts or hexagon socket bolt. Tightening torque of hexagon bolts, 90 Nm. Torque wrench 001 589 66 21 00.



P35-2172-13

35-0350 R and R and adjust wheel carrier

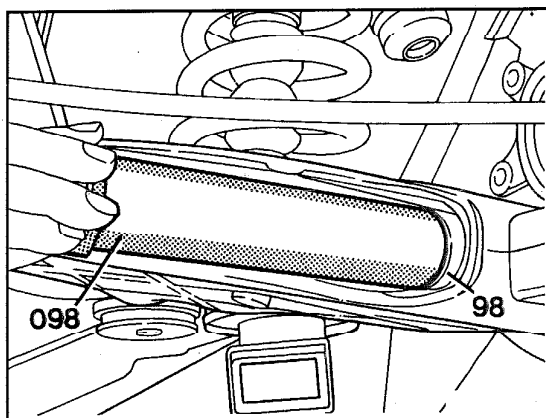
7 Pull cover (86) of wheel carrier bearing out of coupled semi-trailing arm with puller 116 589 06 33 00.



P35-2173-13

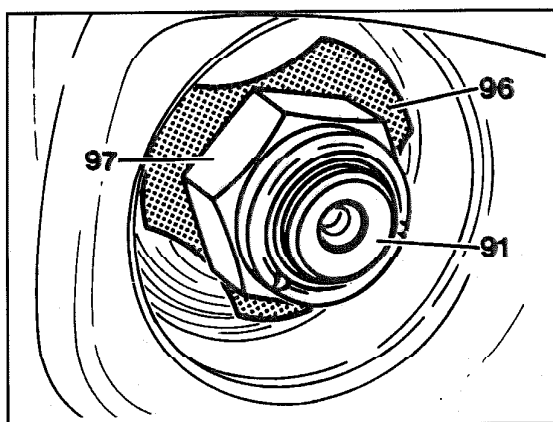
Note

Drive on cover (98) of the wheel carrier bearing with punch 116 589 07 15 00 (098).



P35-2170-13

8 Unscrew, screw in self-locking hexagon nuts (97) on the bearing pin (91) and remove together with washer (96).



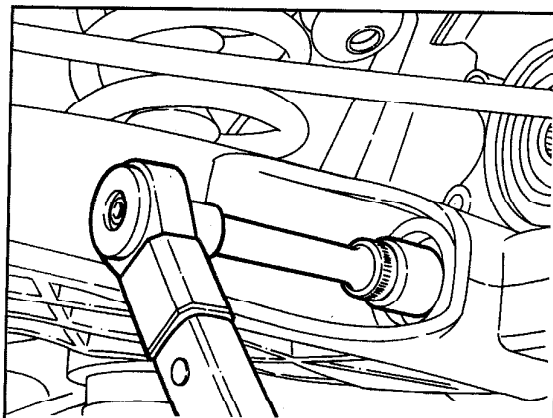
P35-2440-13

35-0350 R and R and adjust wheel carrier

Note

Ensure that respective surfaces of the disc and the wheel carrier spigot align. Replace self-locking hexagon nuts after one-time use.

Tighten up self-locking hexagon nuts to 40 - 50 Nm while simultaneously turning the wheel carrier. Torque wrench 001 589 66 21 00.



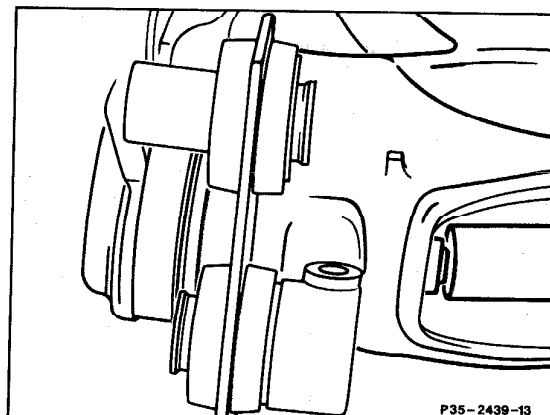
P35-2171-13

Apply one blow each against inside and outside of wheel carrier bearing pin.

Note

Apply settling blow only using a brass or aluminum mandrel.

Then check the tightening torque again of 40 - 50 Nm and retighten, if required.



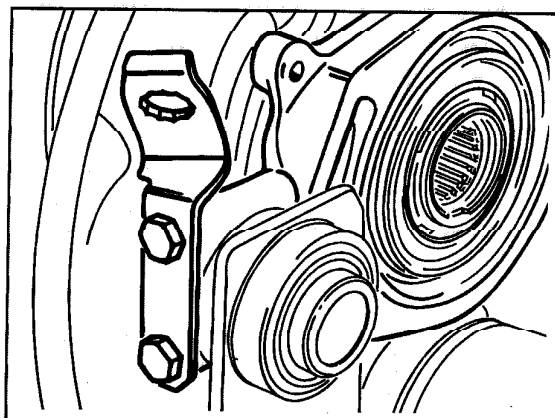
P35-2439-13

P35-2439-13

9 Unscrew, screw in caliper carrier to link pivot shaft.

Note

Tightening torque 25 Nm. Torque wrench 001 589 66 21 00.

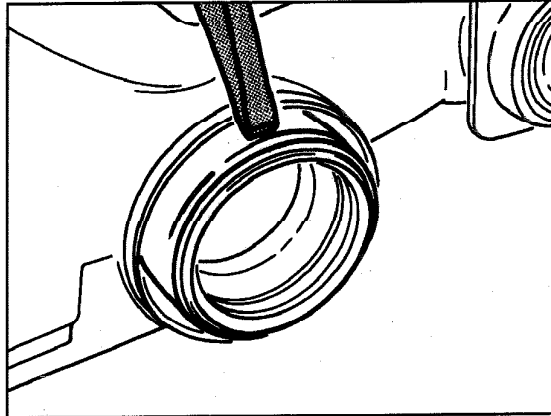


P35-2438-13

10 Pull out, insert wheel carrier bearing pin out of the coupled semi-trailing arm.

11 Remove, put on taper roller bearing inner race (small).

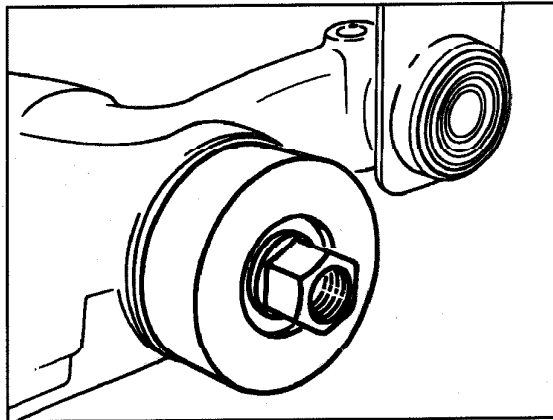
12 Drive seal out of coupled semi-trailing arm.



P35-2441-13

Note

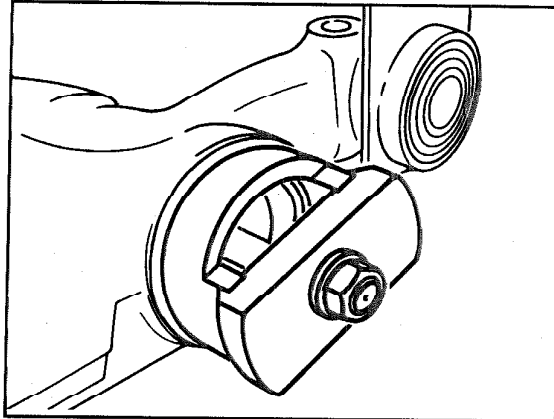
Pull seal onto coupled semi-trailing arm with installer 201 589 01 43 00.



P35-2444-13

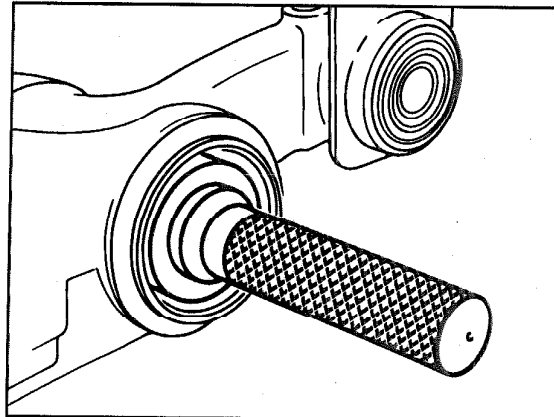
35-0350 R and R and adjust wheel carrier

13 Pull outer race of outer taper roller bearing out of coupled semi-trailing arm with puller 201 589 00 33 00.



P35-2442-13

14 Drive outer race of inner taper roller bearing out of coupled semi-trailing arm with punch 116 589 04 15 00.

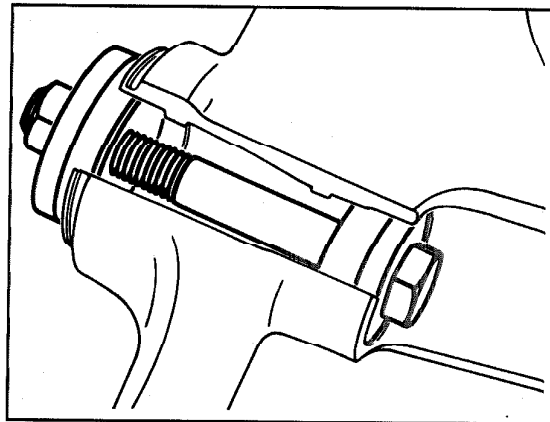


P35-2443-13

Note

Pull both bearing outer races into the coupled semi-trailing arm with installer 201 589 01 43 00. Ensure correct seating of the thrust pads and pull in bearing outer races up to the contact face on coupled semi-trailing arm.

Fill cavity between the bearing outer races in the coupled semi-trailing arm with approx. 45 g of specified grease (refer to factory approved service products list).

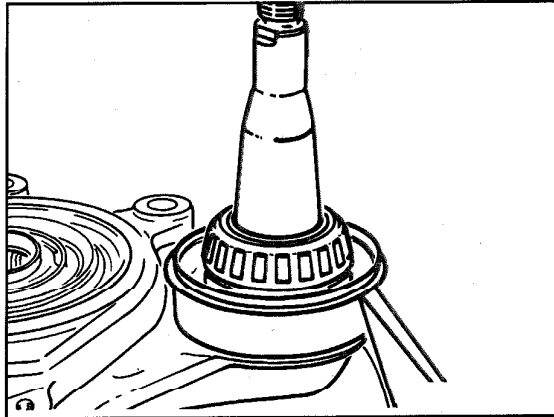


P35-2445-13

15 Drive protective ring out of wheel carrier.

Note

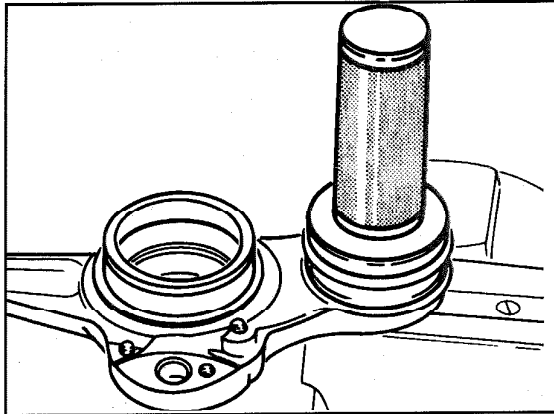
Is only required if the protective ring is damaged.



P35-2447-13

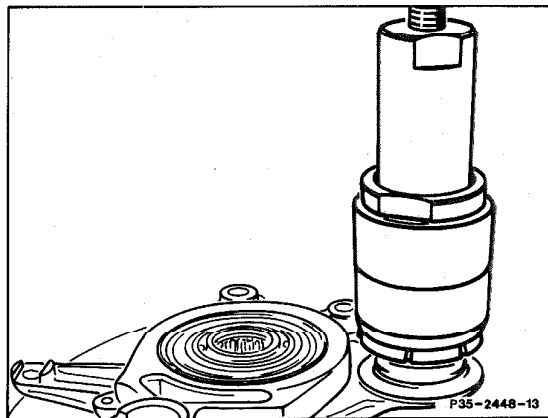
Note

Drive new protective ring onto the wheel carrier with punch (if still available 116 589 03 15 00) or suitable tube.



P35-2456-13

16 Pull inner race of the outer taper roller bearing off the bearing pin with puller 001 589 36 33 00 and collet 000 589 01 34 00.

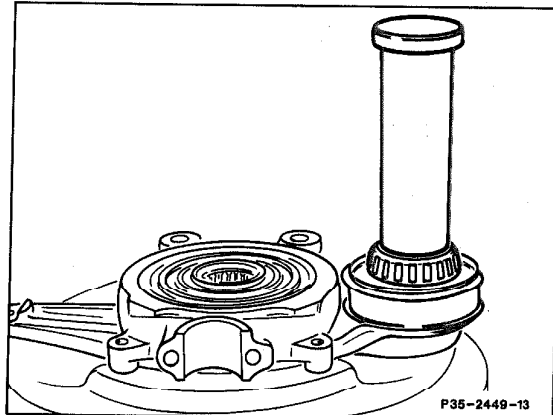


P35-2448-13

35-0350 R and R and adjust wheel carrier

Note

Drive inner race of the outer taper roller bearing onto the bearing pin with suitable tube.



P35-2449-13

P35-2449-13

17 Check all individual parts for re-use. Replace worn and damaged parts.

18 Installation takes place in the reverse sequence.