

33-440 Replacing lower ball joint

Special tool

Pressing-in tool



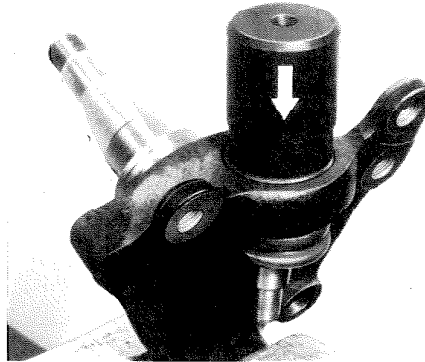
116 589 04 62 00

Removal

1 Remove steering knuckle (33-400), unscrew cover plate.

2 Knock supporting joint with suitable mandrel out of steering knuckle while **clamping** steering knuckle into vise by means of **light alloy jaws**.

Note: The supporting joint is destroyed when knocked out.

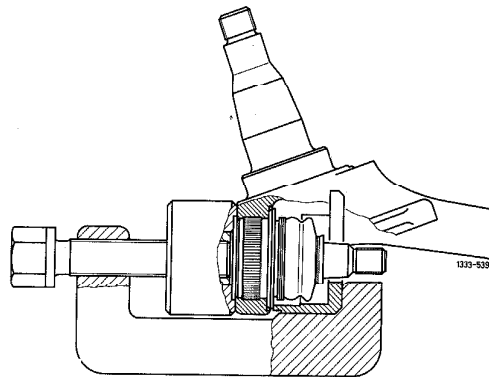


133-6791

Installation

3 Check steering knuckle (33-410).

4 Press supporting joint into steering knuckle with tool.



133-5309

5 Check supporting joint (7) for correct seat in steering knuckle (5).

