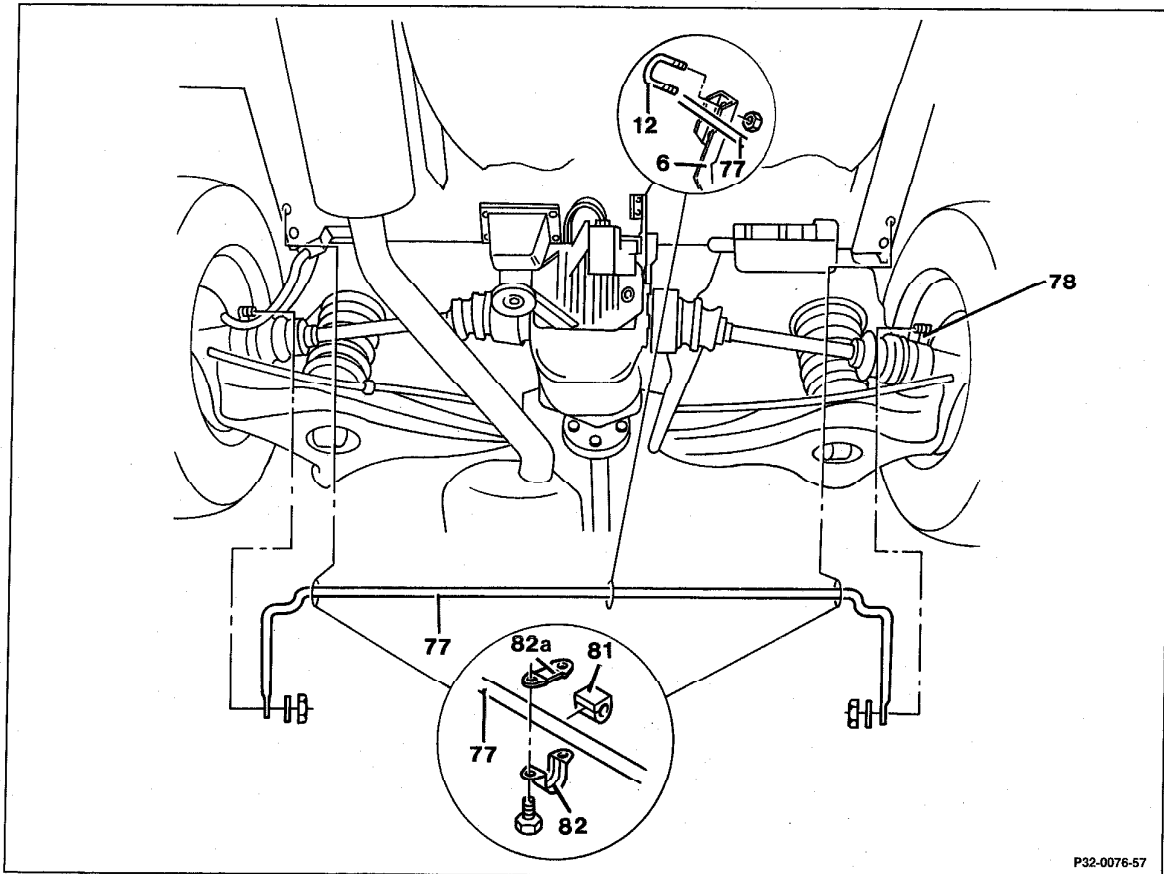


32-310 R and R rear stabilizer bar



P32-0076-57

P32-0076-57

- | | |
|---|---|
| Vehicle | jack up at rear, lower. Remove rear wheels (wheel lug bolts 110 Nm). |
| On vehicles with level control | loosen bracket (12) and remove lever (6) from stabilizer bar (77). After assembly check control point, adjust (40-310). |
| Stabilizer bar links (78) | disconnect on left and right sides of anti-sway bar (77), 30 Nm. |
| Retaining bracket (82) for stabilizer bar mount ... | remove on left and right sides on frame floor, install. Replace self-locking bolts, 30 Nm. |
| Retaining plates (82a) and rubber bushings (81) | remove from stabilizer bar, install. |

32-310 R and R rear stabilizer bar

Rear exhaust mount unhook, lower exhaust lines slightly and support.
 Stabilizer bar (77) remove to right, install.

Data

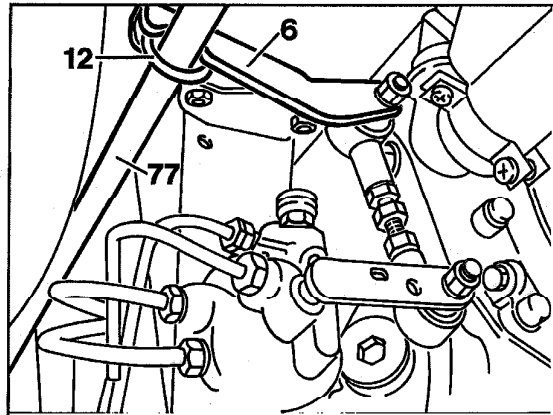
| Stabilizer bar Part number | Diameter | Rubber bushings for stabilizer bar | |
|--------------------------------------|----------|------------------------------------|---------------|
| | | Part number | Bore diameter |
| 126 326 19 65 1) 126 326 48 65 2) | 14 | 126 326 04 81 | 12.5 |

- 1) 1st version up to 8.85
 2) 2nd version as of 9.85

Removal

1 Jack up vehicle at rear and remove rear wheels.

2 On vehicles with automatic level control remove bracket (12) and separate lever (6) from stabilizer bar (77).

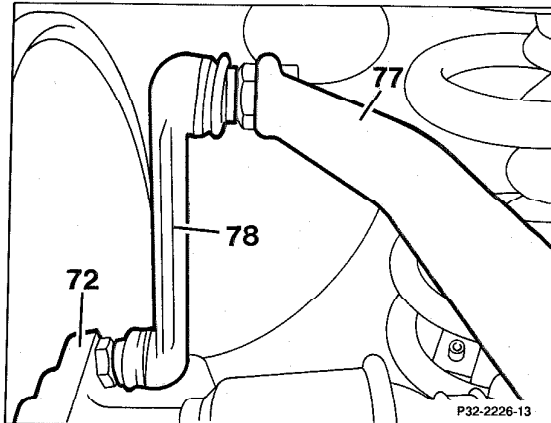


Illustrated on rear axle with anti-squat geometry and automatic level control 2nd version as of 9.85

P32-5295-13A

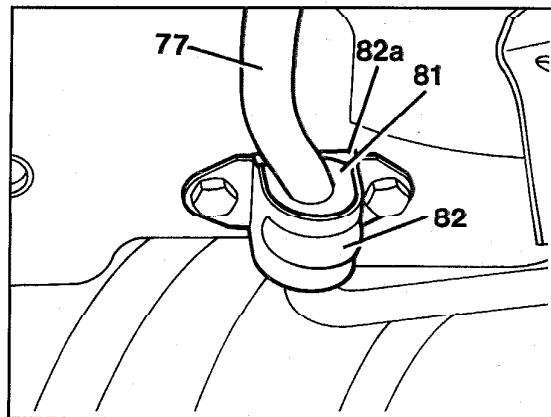
32-310 R and R rear stabilizer bar

- 3 Remove stabilizer bar links (78) on left and right sides of stabilizer bar (77).



P32-2226-13

- 4 Remove retaining brackets (82) for stabilizer bar mount on left and right sides on frame floor. Remove retaining plates (82a) and rubber bushings (81) from stabilizer bar.



P32-2227-13

- 5 Unhook rubber rings for rear exhaust mount, lower exhaust pipes slightly and support.

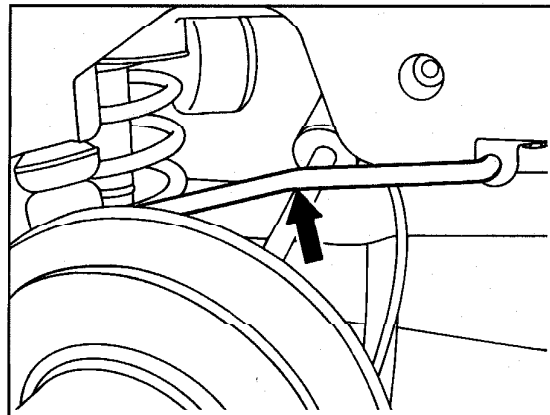
- 6 Remove stabilizer bar toward right.

- 77 stabilizer bar
81 Rubber mount
82 Retaining bracket
82a Retaining plate

Installation

- 7 Check rubber bushings for stabilizer bar mounts and links, replace, if required.

- 8 Position stabilizer bar so that stabilizer bar arm offset points upward (arrow). Attach rubber bushings to stabilizer bar.

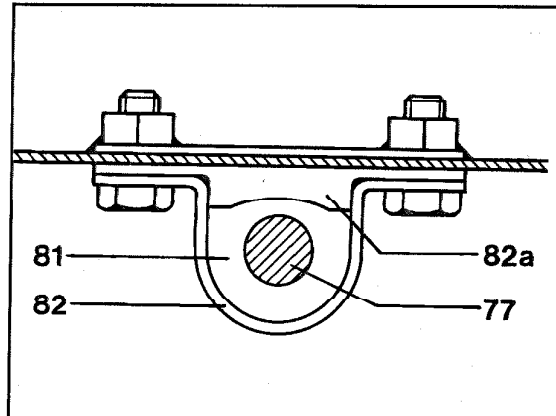


P32-2235-13

32-310 R and R rear stabilizer bar

9 Position retaining plates (82a) and fasten stabilizer bar to frame floor on left and right with retaining brackets (82); use new self-locking bolts, 30 Nm.

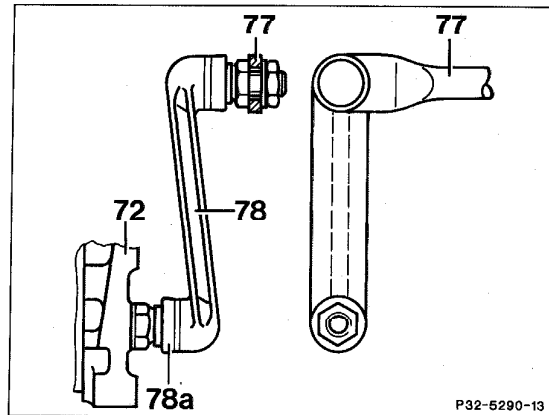
- 77 Stabilizer bar
- 81 Rubber bushing
- 82 Retaining bracket
- 82a Retaining plate



P32-5289-13

Fasten left and right stabilizer bar links (78) to stabilizer bar (77), 30 Nm.

11 Install rear exhaust pipe.

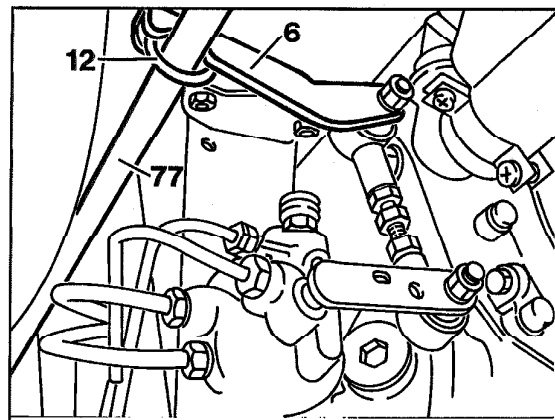


P32-5290-13
P32-5290-13

12 Additional work on vehicles with automatic level control:

- a) Fasten lever (6) to stabilizer bar (77) by attaching bracket (12).
- b) Vehicle level at rear axle: Check control point, adjust (40-310).

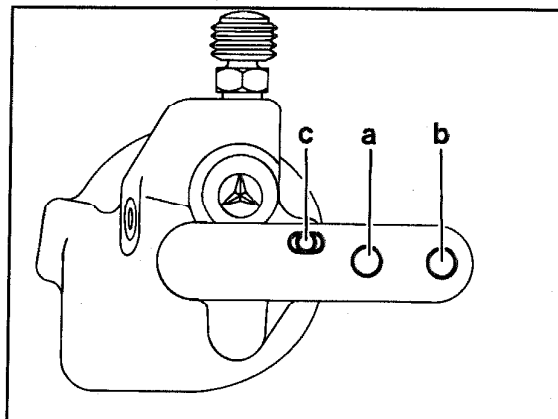
Illustrated on rear axle with anti-squat geometry and automatic level control 2nd version as of 9.85



P32-5295-13A

32-310 R and R rear stabilizer bar

The stabilizer bar link is inserted into hole "a" on vehicles without anti-squat geometry, into hole "b" on vehicles with anti-squat geometry.



P32-5543-13

c = Locating holes in lever and in housing with automatic level control shaft in center position for 4 mm dia. pin

13 Mount rear wheels (wheel lug bolts 110 Nm).
Lower vehicle.