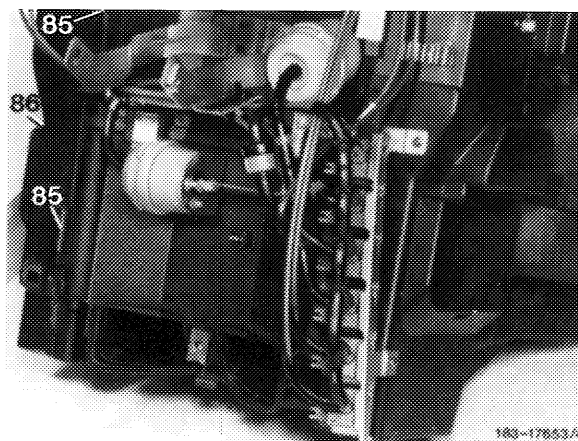


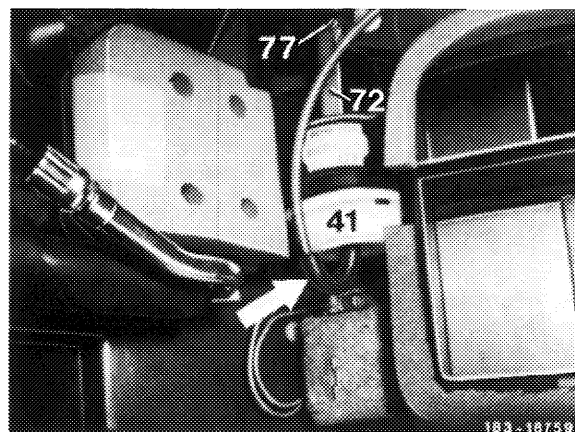
Removal

1 Remove heater box (refer to air conditioning system I, model 126, 83-536).

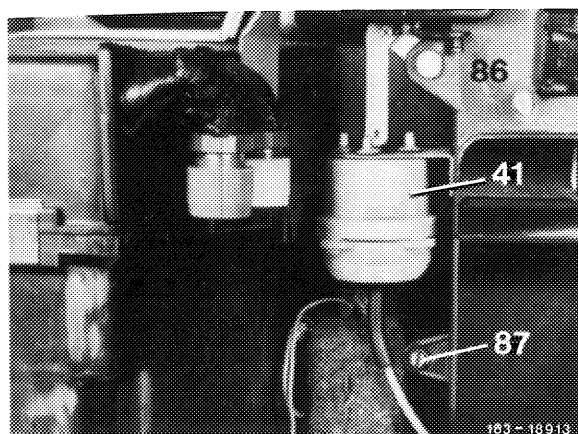
2 Lift off two clamps (85) on lateral member (86) by means of a screwdriver.



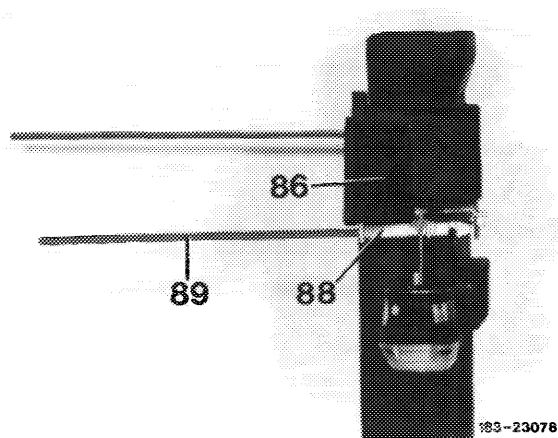
3 Pull vacuum line (arrow) from vacuum element (41).



4 Unscrew screw (87) and completely pull side member (86) from air-conditioning cabinet.



5 Pull bearing shaft (89) out of plastic shaft (88).

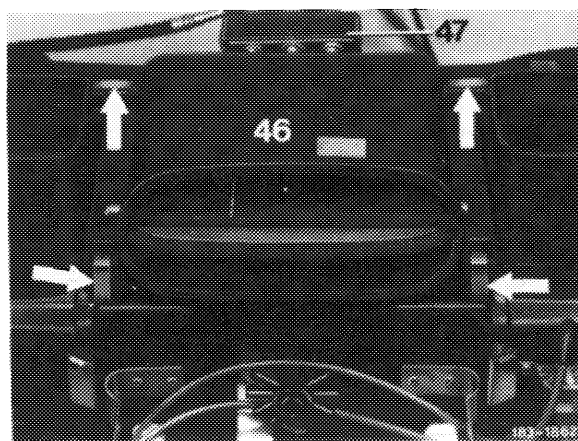


6 Remove clamps (arrow) on cover (46) for air outlet-center by means of a screwdriver and lift cover (46) from heater box.

7 Remove sealing rubber (47) from water pipes.

8 Unscrew holder for heat exchanger pipes (49) from evaporator housing.

9 Remove center part (60) above scoop water flap and lift out heat exchanger, while slightly opening legroom flaps.

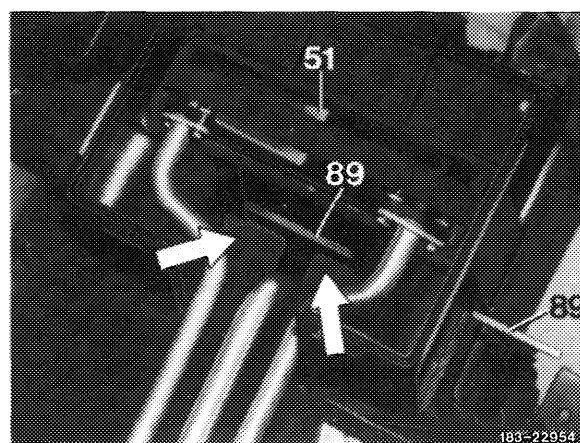
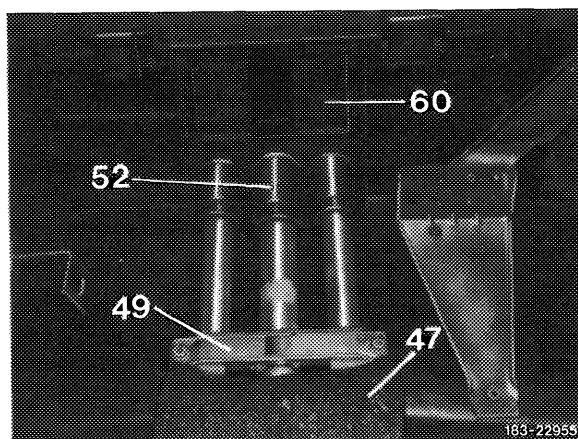


Installation

10 Open legroom flaps and install heat exchanger (51). Attach holder (49) for pipes.

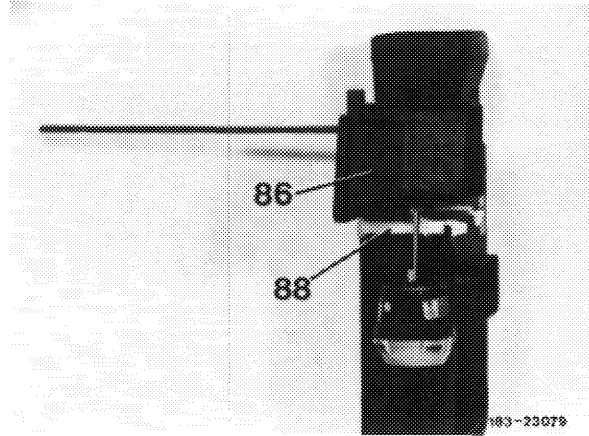
11 Insert bearing shaft (89) in scoop water flap in such a manner that both parts of this flap are flush with each other (e.g. vertical).

12 Turn scoop water flap into horizontal position, that is "closed" (arrows).

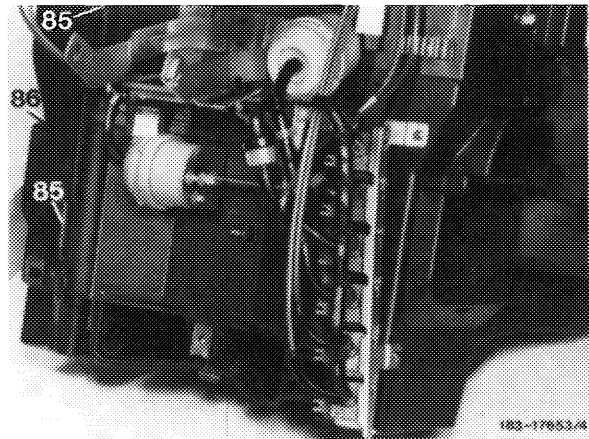


13 Attach side member (86) to air-conditioning cabinet, while paying attention to flap positions during insertion into plastic shaft (88).

Note: Defroster nozzle flaps: Position "open". Scoop water flap: Position "closed".



14 Fasten side member with two clamps (85) to air-conditioning cabinet.

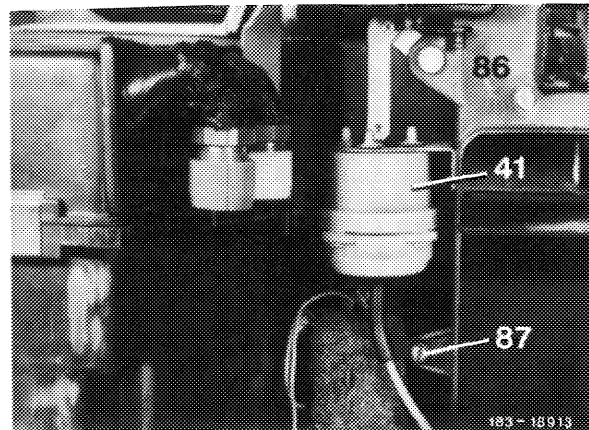


15 Fasten side member with screw (87) to air-conditioning cabinet.

16 Plug-in center part (60) above scoop water flaps.

17 Insert gasket into grooves, attach cover for air outlet-center and fasten with clamps.

Note: Rubber on heat exchanger pipes and center section must be mounted tightly in grooves and webs of heater box.



18 Plug vacuum line (arrow) on vacuum element (41).

19 Install air-conditioning cabinet (83-536, air conditioning system I).

20 Check automatic climate control system for function (83-603).

