

83–130 Removal and installation of interior temperature sensor

Data

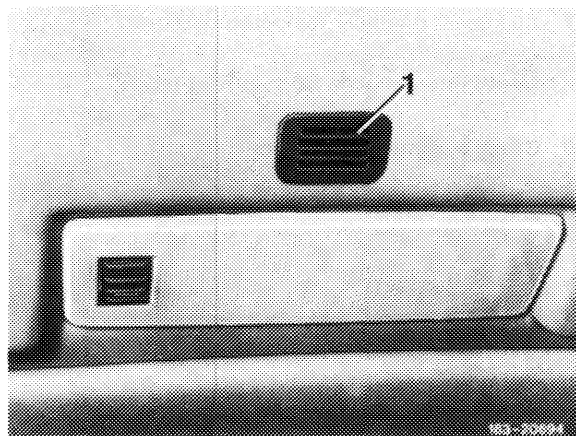
Resistance at room temperature	15 °C	15,7 kΩ ± 0,5 kΩ
	25 °C	10 kΩ ± 0,5 kΩ
	35 °C	6,5 kΩ ± 0,5 kΩ

B. Starting 07/81

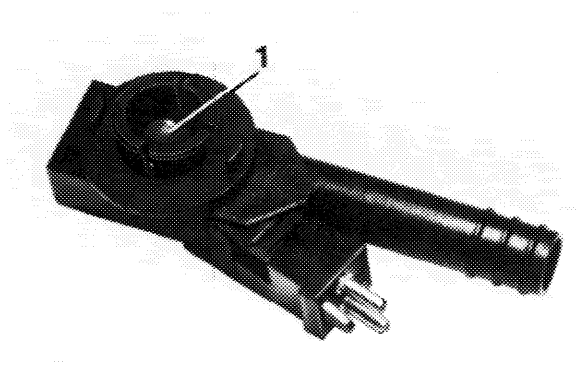
Removal

- 11 Remove interior lamp at front in roof frame.
- 12 Unclip cover from in-car temperature sensor.
- 13 Pull 2-pole coupler from in-car temperature sensor (1).

Layout starting 07/81



- 14 Pull vent hose from sensor and remove in-car temperature sensor through opening for interior lamp.



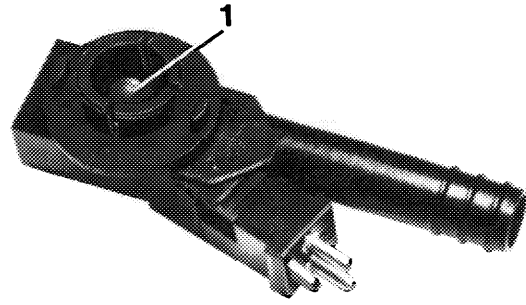
In-car temperature sensor starting 07/81

83-22100/1

Installation

15 Install in-car temperature sensor (1) through opening of interior lamp and slip-on vent hose.

16 Plug-on 2-pole coupler on sensor.



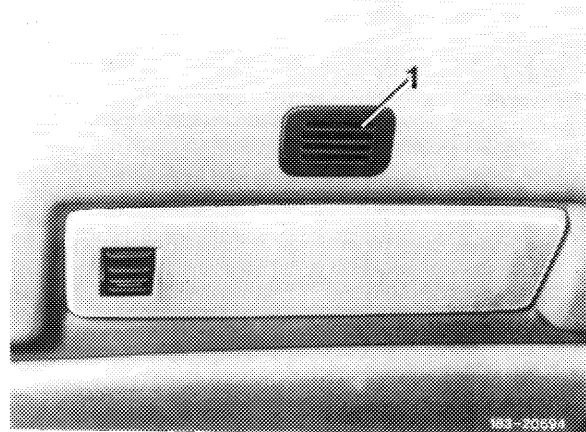
In-car temperature sensor starting 07/81

183-22100/1

17 Clip cover on in-car temperature sensor.

18 Install interior lamp front in roof frame.

19 Check automatic heater for function.



183-20094