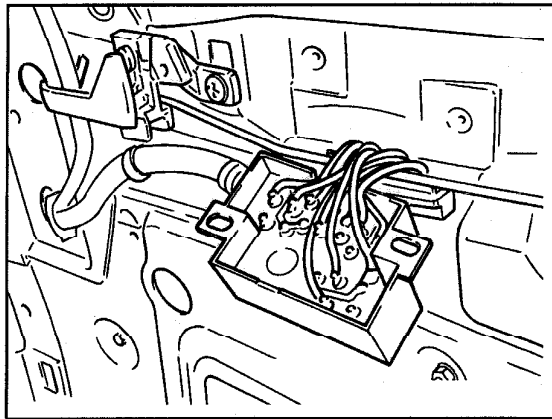


## 82-0865 R and R front power seat switch

### A. Switch with soldered cable harness

1 Disconnect battery. Remove handles from switch of seat adjustment and remove door trim panel (72-100). Pull off covering foil in the area of the switch.

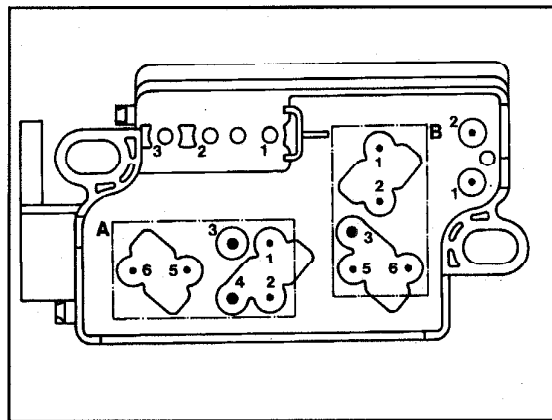
2 Unscrew switch, unclip cover on the back and unsolder wiring.



P82-2820-13

3 Solder sleeves of suitable diameters (2.5 and 4.0 mm) to the wires and connect to connectors.

Switch left	
Connector A	Connector B
1 blue	1 grey
2 purple	2 orange
3 brown	3 red/white*)
4 red	5 yellow
5 white	6 green
6 black	

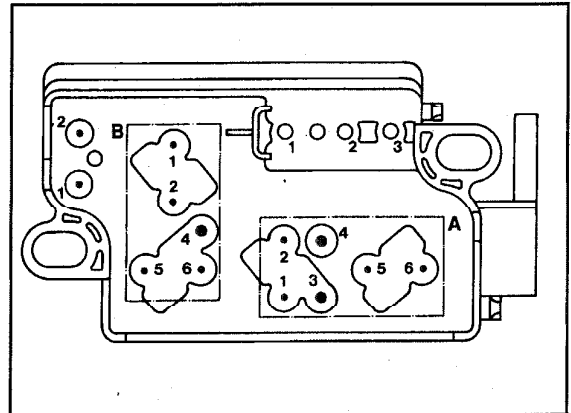


P82-0390-13

\*) For cable harness without red/white wire (1st version) a bridge is required between connector A and B. On the left switch from connector A (No. 4) to connector B (No. 3) on the right switch from connector A (No. 3) to connector B (No. 4).

Switch right	Connector A	Connector B
1 purple	1 purple	1 grey
2 blue	2 blue	2 orange
3 red	3 red	4 red/white*)
4 brown	4 brown	5 green
5 white	5 white	6 yellow
6 black	6 black	

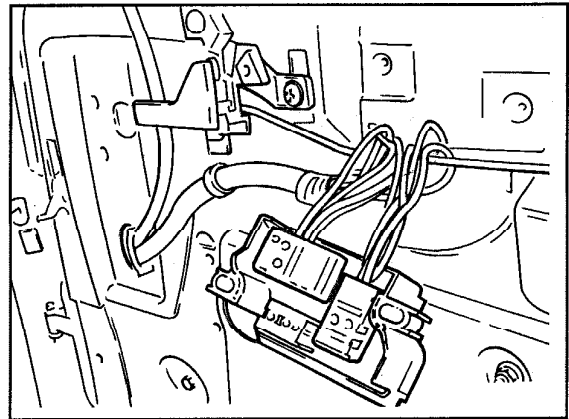
\*) For cable harness without red/white wire (1st version) a bridge is required between connector A and B. On the left switch from connector A (No. 4) to connector B (No. 3) on the right switch from connector A (No. 3) to connector B (No. 4).



P82-0391-13

4 Fit connectors to the switch, connect battery and check function of seat adjustment.

5 Screw on switch, stick on covering foil and mount door trim panel.



P82-2821-13

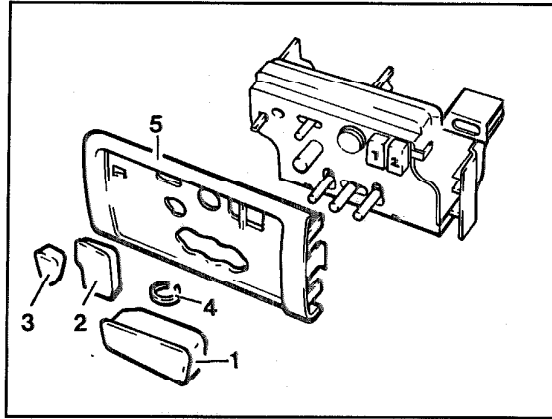
**Replacement parts**

Quantity	Designation	Part No.
1	Switch left	002 820 61 10
1	Switch right	002 820 63 10
1	Cover left	126 766 41 91
1	Cover right	126 766 30 91
1	Adjusting knob left	000 821 07 58
1	Adjusting knob right	000 821 08 58
1	Connector	126 545 38 28 per switch
1	Connector	126 545 40 28 per switch
8	Sleeve 2.5 mm dia.	001 545 28 26 per switch
3	Sleeve 4.0 mm dia.	001 545 35 26 per switch
1	Locking ring	000 821 04 34 per switch
2	Screw	914127 004218 per switch

## 82-0865 R and R front power seat switch

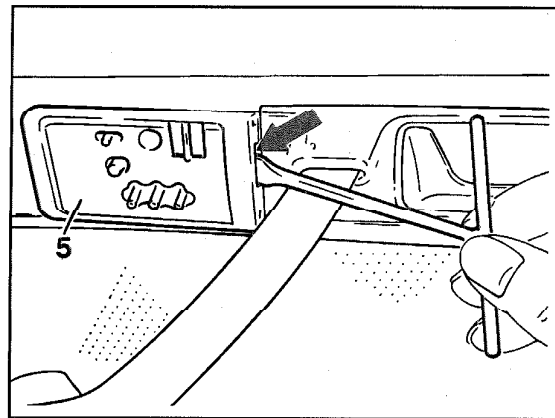
### B. Switch with plug-type cable harness

- 1 Pull off handles (1, 2, 3) and lock (4).



P82-2741-13

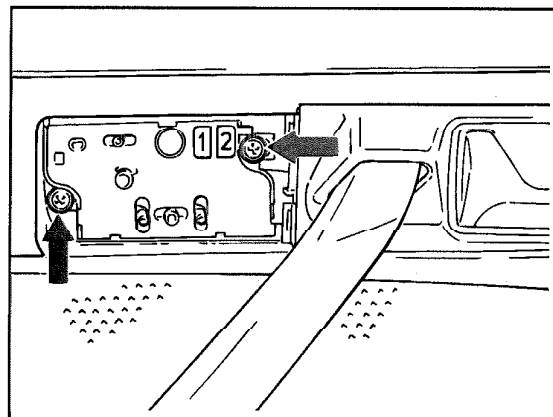
- 2 Unclip cover (5) (arrow) and remove.



P82-2822-13

- 3 Unscrew switch (arrow) and pull connectors of wiring set off switch.

- 4 Install new switch in reverse order. Connect battery and check seat adjustment operation.



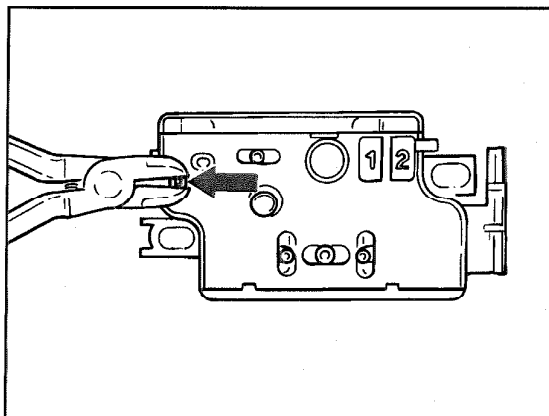
P82-2823-13

## 82-0865 R and R front power seat switch

---

### Note

Only switches for seat and head restraint adjustment are available as replacement parts. If a switch without head restraint is required, the pin (arrow) must be cut off.



P82-2824-13