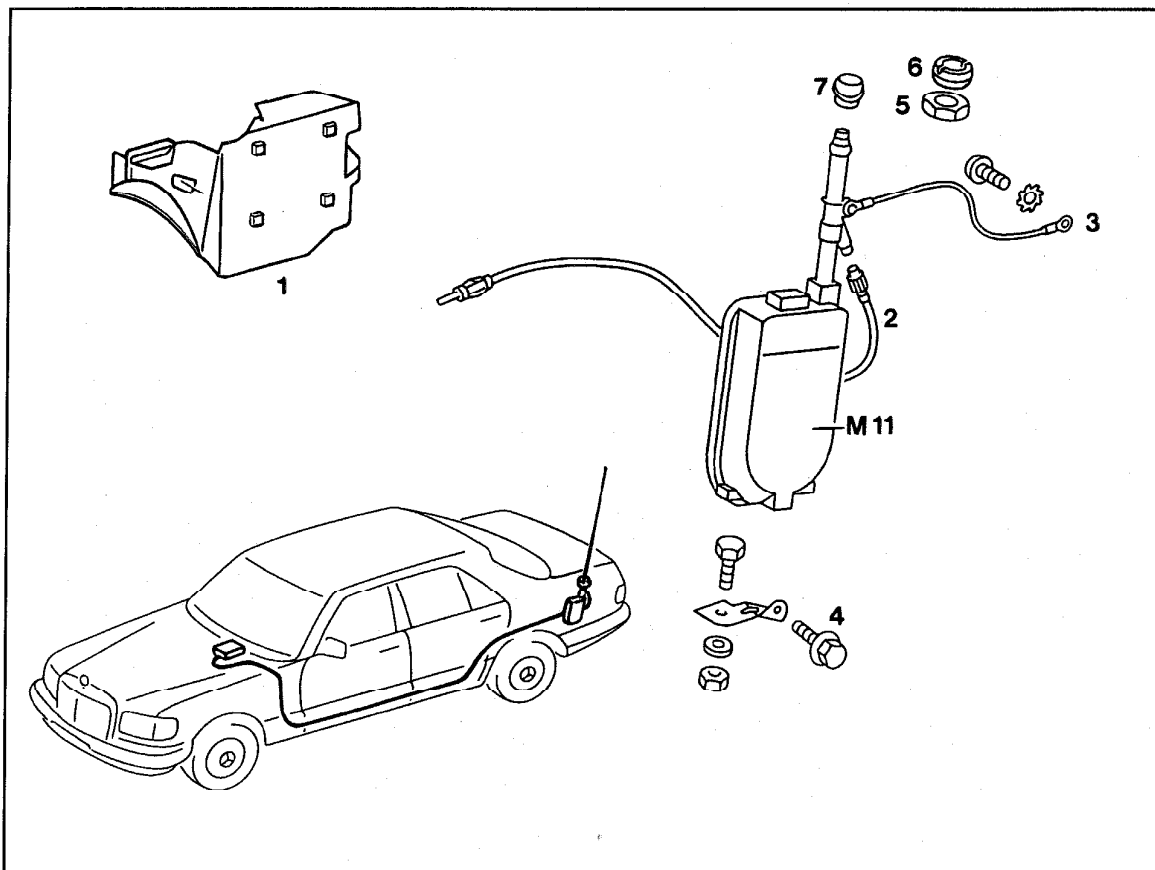


B. Automatic antenna



P82-0137-57

Battery	disconnect, reconnect.
Trunk lining (1)	left remove, reinstall (68-0480).
Wire (2)	disconnect, reconnect.
Electric wiring (coupling)	pull off, refit.
Ground lead (3)	disconnect, reconnect.
Mounting screw (4)	screw out, screw in.

82-0537 R and R antenna

Mounting of antenna head

1st version: hex. nut (5)	unscrew, screw in.
2nd version: slotted nut (6)	unscrew, screw in (special tool 126 589 00 07 00).
3rd version: antenna	inserted in rubber grommet (7).
Antenna (M11)	pull out downwards, push in upwards.

Special tool

