

1824-15475

A2	Radio	H4/9	Left front speaker
H4/1	Left front door speaker group	H4/10	Right front speaker
H4/2	Right front door speaker group	N40/1	Left speakers audio power amplifier
H4/7	Left rear speaker	N40/2	Right speakers audio power amplifier
H4/8	Right rear speaker	R26	Fader switch

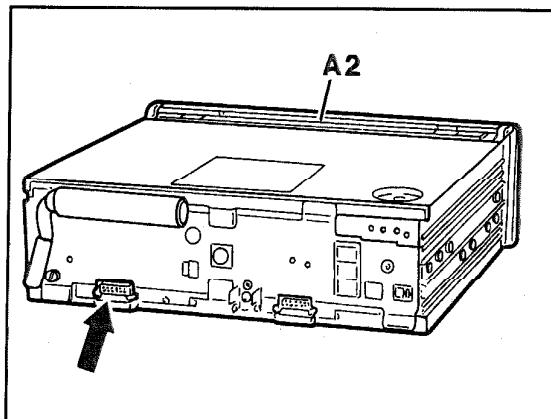
## 82-0513 M-B sound system

### A. General

The M-B sound system can only be connected to specially equipped radio receivers (e.g. Becker Mexico Diversity type 830). These radio receivers are provided with a connection (arrow) to which a coupling amplifier is fitted. In addition to this, two digital amplifiers are activated. The M-B sound system is a sound system specially matched to the respective vehicle interior.

The amplifiers are distinguished by different colors.

Coupe: Code color grey.  
Sedan: Code color black.



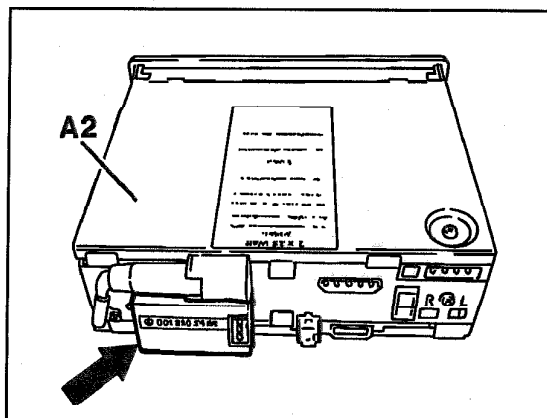
P82-2555-13

### B. Arrangement of components

#### Becker radio with coupling amplifier

##### Note

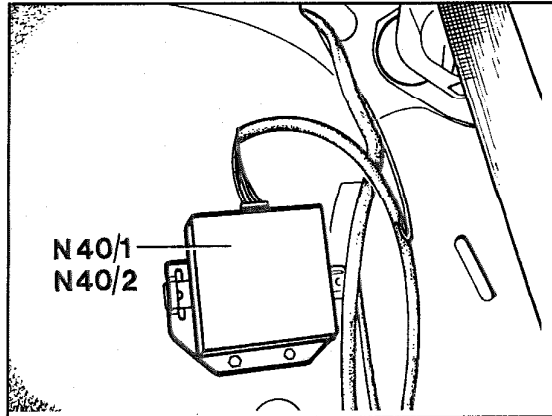
When replacing the radio receiver ensure that the coupling amplifier is transferred.



P82-2283-13

A2 Radio  
A2/1 Line-out unit (Sound System)

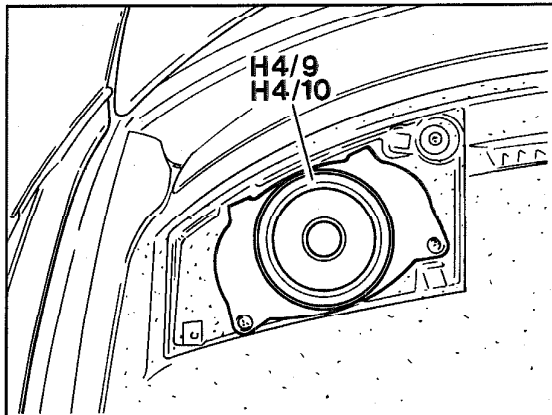
**Two double amplifiers**



- N40/1 Left speakers audio power amplifier
- N40/2 Right speakers audio power amplifier

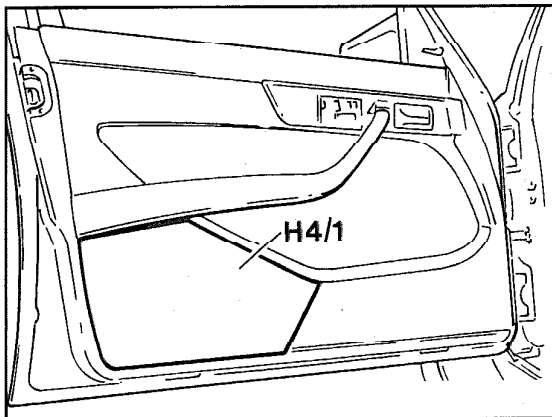
P82-2538-13

**Ten loudspeakers combined in two assemblies**



- H4/9 Left front speaker
- H4/10 Right front speaker

P82-2280-13



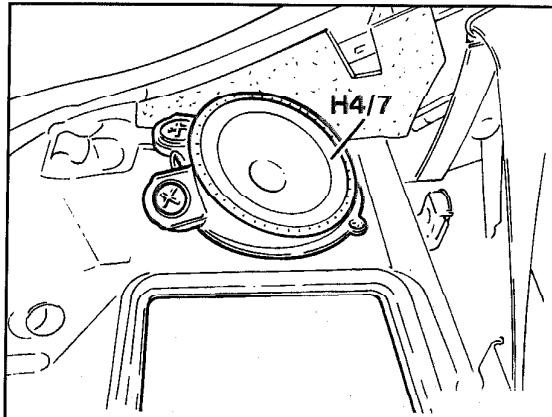
- H4/1 Left front door speaker group
- H4/2 Right front door speaker group

P82-2273-13

# 82-0513 M-B sound system

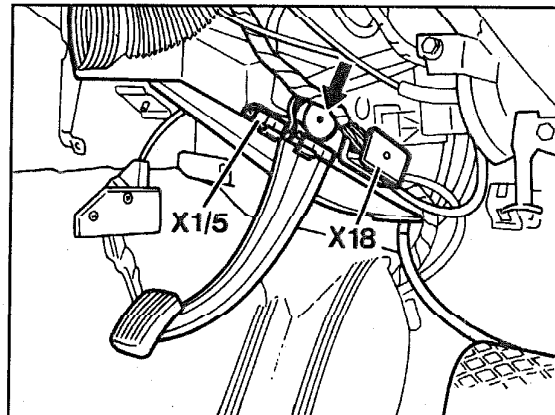
---

- H4/7 Left rear speaker group
- H4/8 Right rear speaker group



P82-2281-13

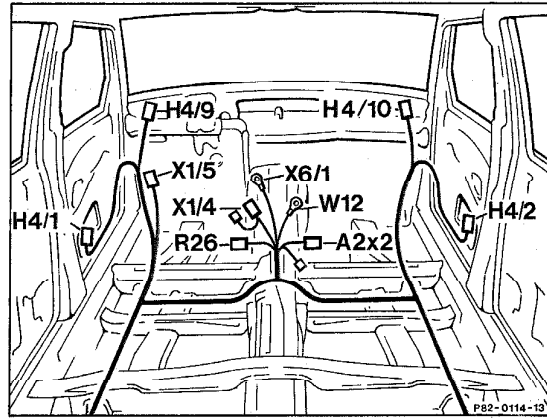
Interference suppression choke (arrow)



P82-2568-13

**C. Installation of wiring harness**

- A2x2 Connector radio/sound 3-pole
- H4/1x1 Left front door speaker connector
- H4/2x1 Right front door speaker connector
- H4/9 Left front speaker
- H4/10 Right front speaker
- R26 Fader
- W12 Ground center console
- X1/4 Connector automatic antenna
- X1/5 Connector sound system feed (amplifier), terminal 30
- X6/1 Terminal block terminal 58D, 2-pole



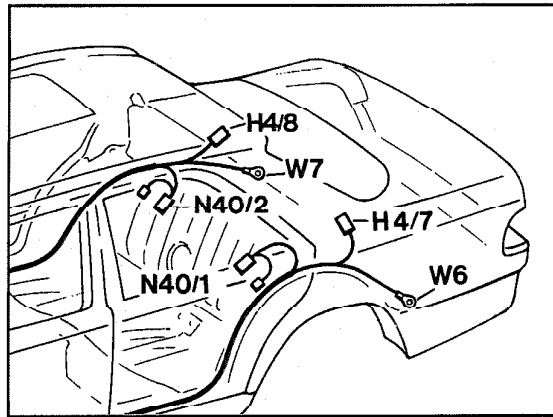
P82-0114-13

**Note**

shielded wiring harness was installed as of vehicle ident end no.

- for coupe A 430 736
- for sedan A 434 233

- H4/7 Left rear speaker
- H4/8 Right rear speaker
- N40/1 Left speakers audio power amplifier
- N40/2 Right speakers audio power amplifier
- W6 Ground (left wheelhousing in trunk)
- W7 Ground (right wheelhousing in trunk)



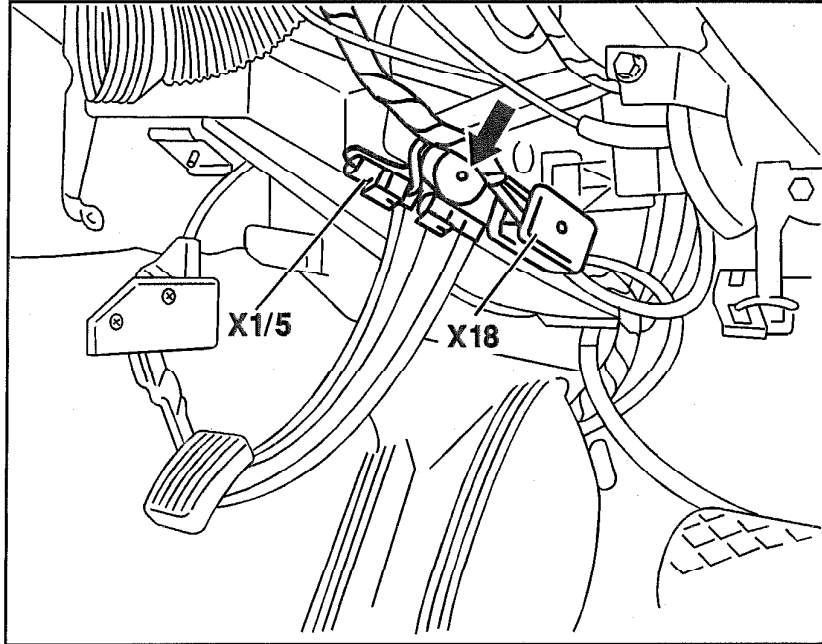
P82-0115-13

### D. Function

From the radio the signal is guided via a high-resistance fader (identification: yellow base and white dot on knurled wheel) to the left side to the amplifier for the left loudspeakers (N40/1) and to the right side to the amplifier for the right loudspeakers (N40/2).

The amplifiers for the left and right loudspeakers are double amplifiers. One amplifier supplies the front loudspeaker assembly (in the instrument panel and in the door) and one amplifier supplies the rear loudspeakers. Each amplifier has an output of approx. 25 W per loudspeaker group. Total output approx. 100 W sinus.

E. Installation of Interference choke



P82-6847-35

Ground lead on battery .....	disconnect, reconnect.
Cover below instrument panel .....	remove, install (68-160).
Plug connector (power supply) .....	disconnect.
Interference choke (arrow) .....	install and fasten with clamps.
Sound system .....	check for proper function.