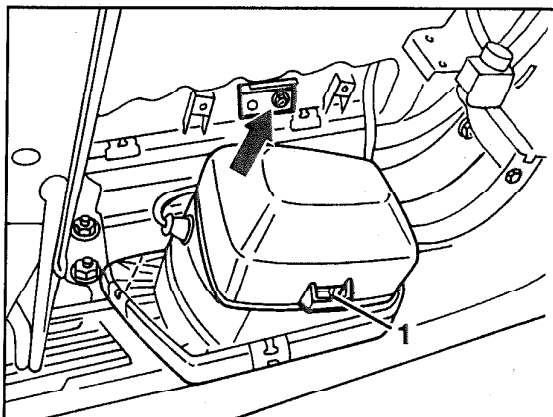


82-0063 R and R fog lamp bulb (coupe)

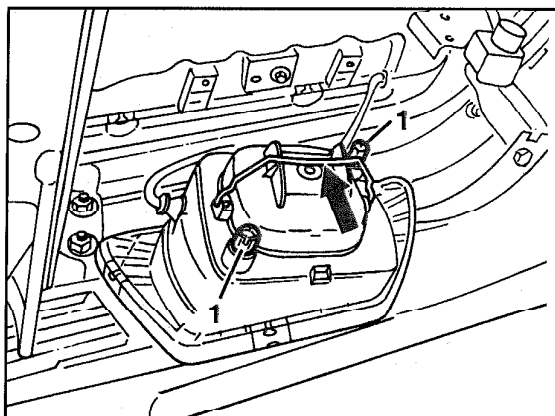
Removal, reinstallation

1 Unclip protective cap from the lug (1) and remove.



P82-3045-13

2 Push clip (arrow) down so that the cap can be removed.



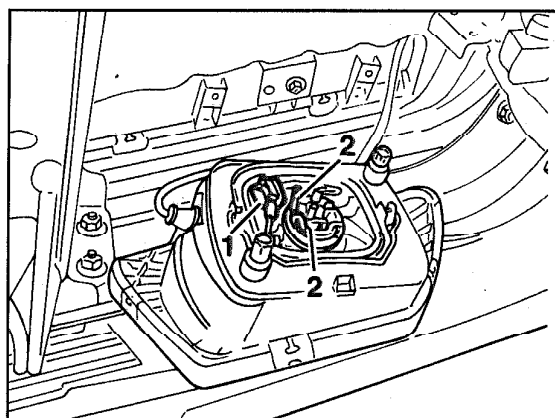
P82-3044-13

3 Pull off electrical connection (1), unclip retaining clips (2) and remove H3 bulb.

Installation instructions

Ensure proper seating of bulb during installation. Do not touch the glass part of the bulb with bare fingers, but use a grease free, soft cloth. Install only bulb with specified voltage.

4 Installation is carried out in reverse order.



P82-3042-13