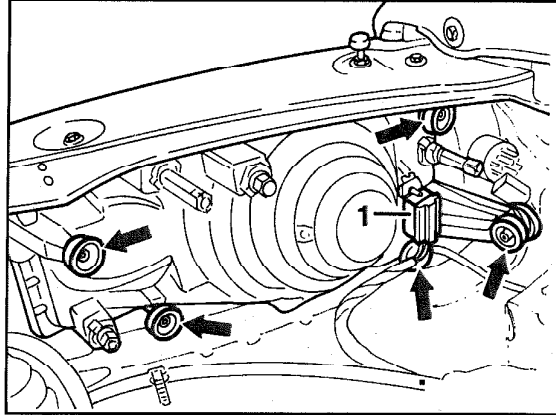


As of 1981 through model year 1985 (sealed-beam unit)

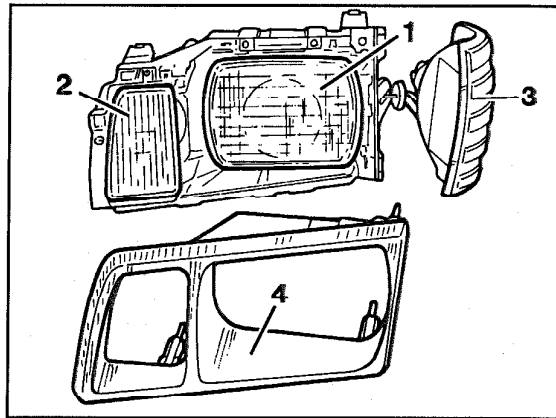
Headlamp with bulb

- 1 Unscrew knurled nuts of cover frame (arrows).



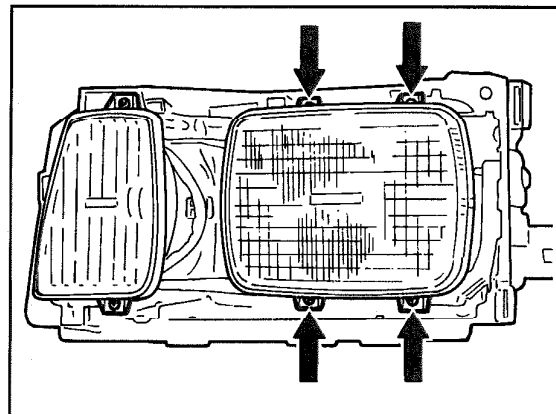
P82-3040-13

- 2 Remove cover frame (4) to the front.



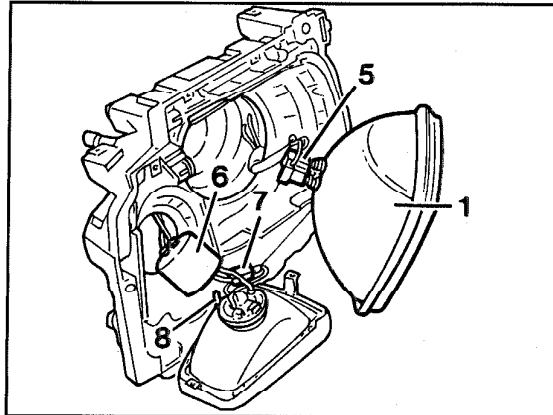
P82-3037-13

- 3 Unscrew mounting screws (arrows).



P82-3039-13A

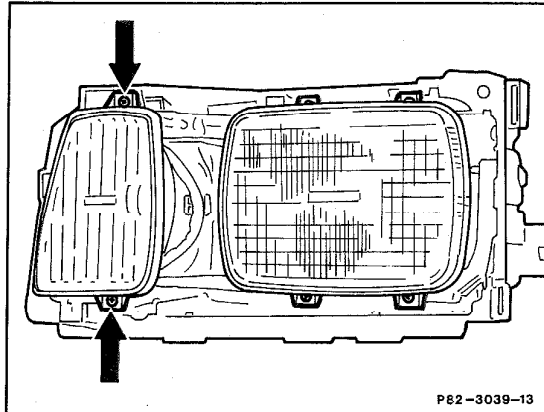
- 4 Pull off electrical connections (5) and remove headlamp insert with bulb (1).



P82-3038-13

Bulb for fog lamp

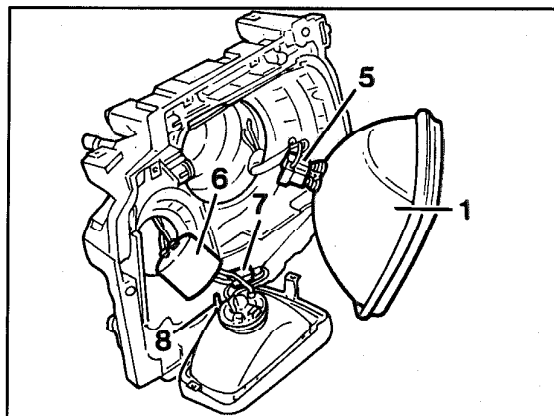
- 5 Unscrew mounting screws (arrows).



P82-3039-13

P82-3039-13

- 6 Remove rubber cap (6). Disconnect electrical connection (7) and remove H3 bulb after unclipping the mounting clip (8).



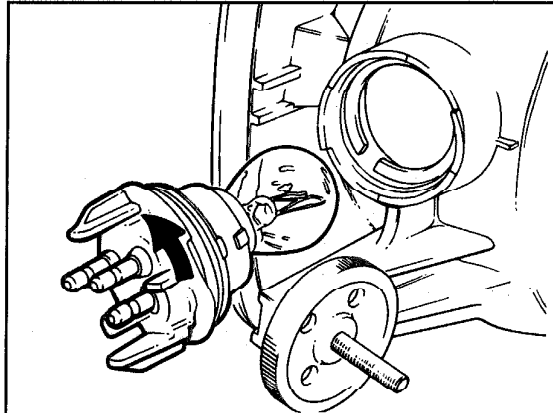
P82-3038-13

82-0062 R and R lamp unit bulbs

Bulb for turn-signal and side marker lamps

7 Pull off electrical connection.

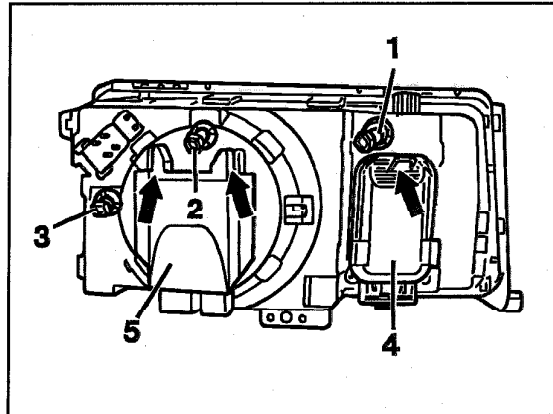
8 Loosen holder by turning to the left and remove. Turn bulb (12 V 21/5 W) out of the bayonet of the holder.



P82-2337-13

Bulb of main headlamp

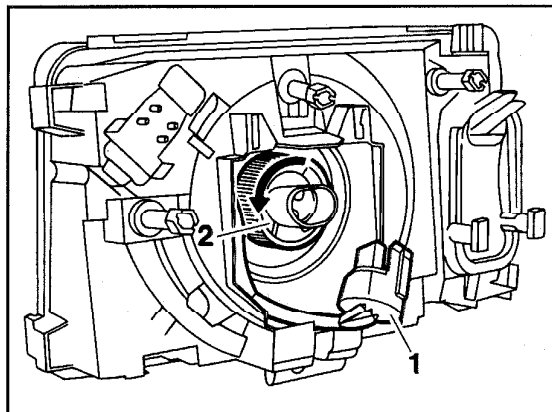
9 Push cover (3) up in direction of arrow.



P82-3050-13

As of 1986 through model year 1991

10 Pull off plug (1) and turn retaining ring (2) to the left in the direction of the arrow.

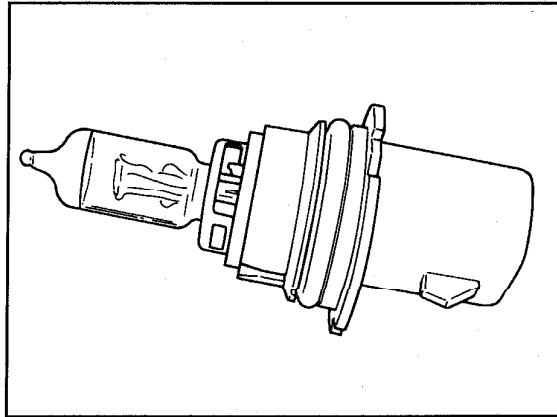


P82-2489-13

11 Pull bulb out to the rear.

Installation instructions

Ensure that the bulb is pushed in fully before mounting the retaining ring.

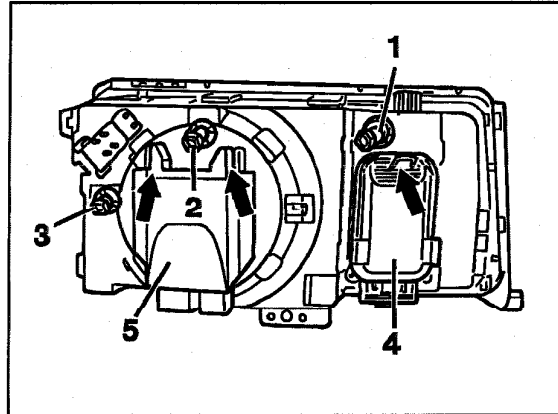


P82-2491-13

Bulb for fog lamp

12 Loosen cover (4) by pushing in direction of arrow and pull out from the top.

13 Disconnect electrical connection, unclip mounting clips and remove H3 bulb.



P82-3050-13

Installation instructions

When installing, ensure proper seating of the bulb. Do not touch the glass part of the bulb with bare fingers, but use a grease free soft cloth.

14 Installation is carried out in reverse order.