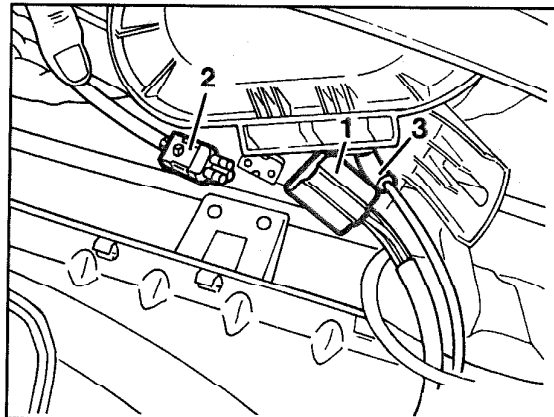


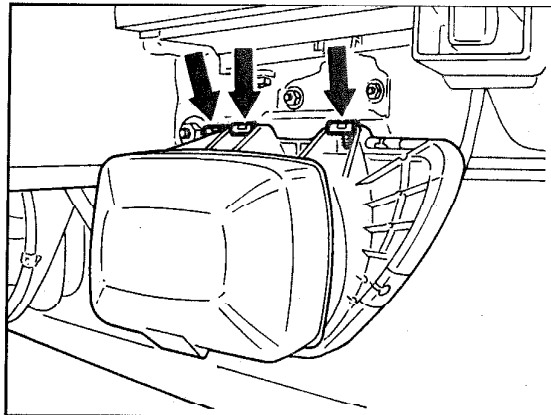
Removal, reinstallation

1 Pull off electrical connection (2, 2-pole coupling) from lamp unit.



P82-3046-13

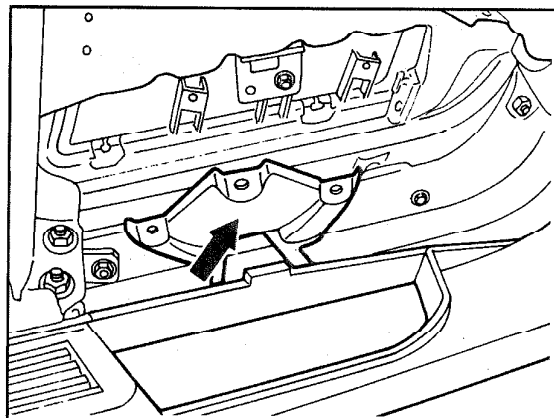
2 Unscrew 3 top mounting screws (arrows) on fog lamp and remove lamp from the rear.



P82-3041-13

3 Bracket for fog lamp (arrow).

4 The installation is carried out in reverse order.



P82-3043-13