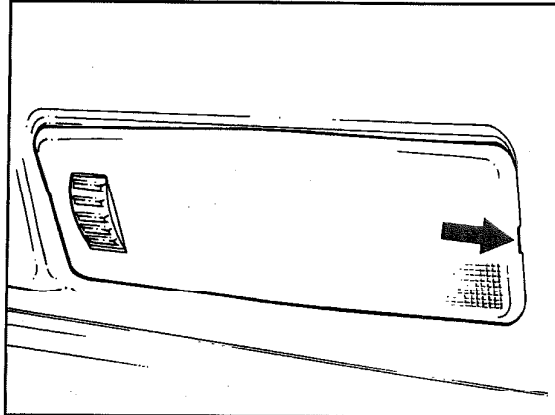


Removal, reinstallation

Front dome lamp (up to August 1985)

- 1 Disengage retaining spring of dome lamp from recess (arrow).



P82-2332-13

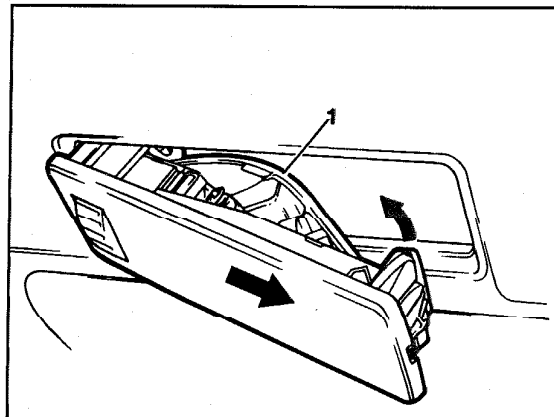
- 2 Slightly pull out dome lamp and remove to the right.

- 3 Pull off electrical connections.

Note

The delay switch is installed in the dome lamp. It cannot be replaced separately. After approx. 6 seconds the light will be switched off automatically after the driver's door has been closed.

For replacing the bulb, pull up reflector (1) on the right-hand side and fold over to the left.



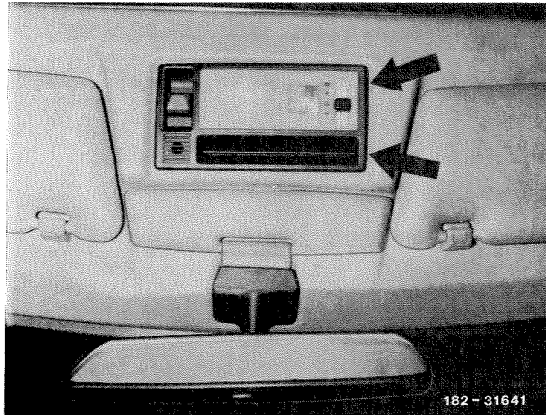
P82-2334-13

- 4 Installation is carried out in reverse order.

82-0010 R and R front and rear dome lamps

Dome lamp control module (as of 09/85)

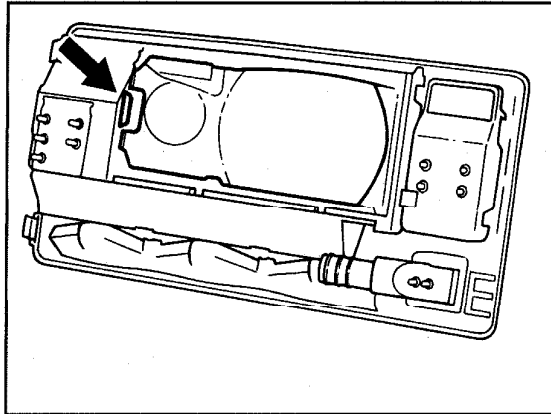
- 1 Unclip control module (arrows).
- 2 Remove control module.
- 3 Pull off electrical connections and air hose for inside temperature sensor.



182-31641

Note

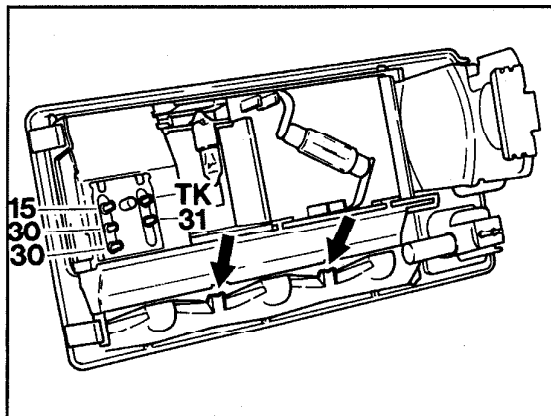
For replacing the bulbs for the dome and reading lamp, pull up reflector (arrow).



P82-2483-13

Note

For replacing the bulbs for the belt warning lamp, unclip the cover (arrows).

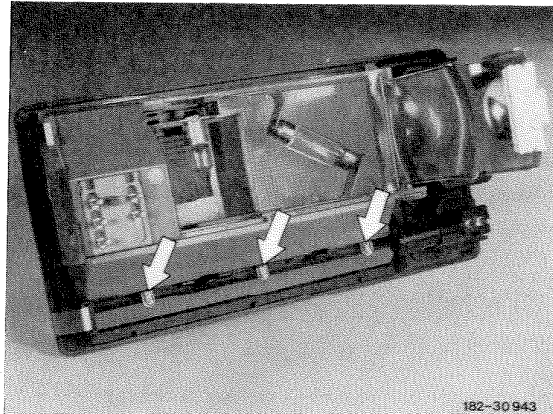


P82-2482-13

82-0010 R and R front and rear dome lamps

Pull off bulbs (arrows).

4 The installation is carried out in reverse order.



182-30 943

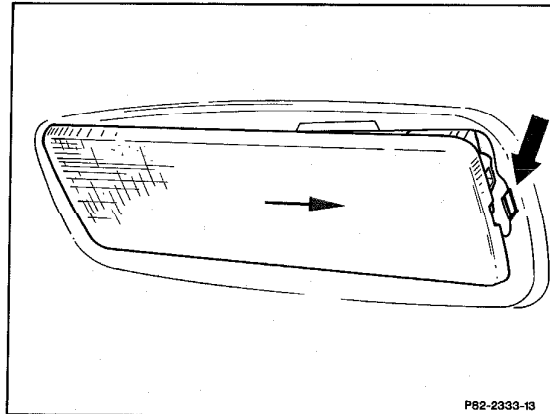
182-30943

Rear dome lamp

1 Disengage the retaining spring of the dome lamp from the recess (arrow). Slightly pull out dome lamp and remove from the right.

2 Pull off electrical connections.

3 The installation is carried out in reverse order.



P82-2333-13

P82-2333-13