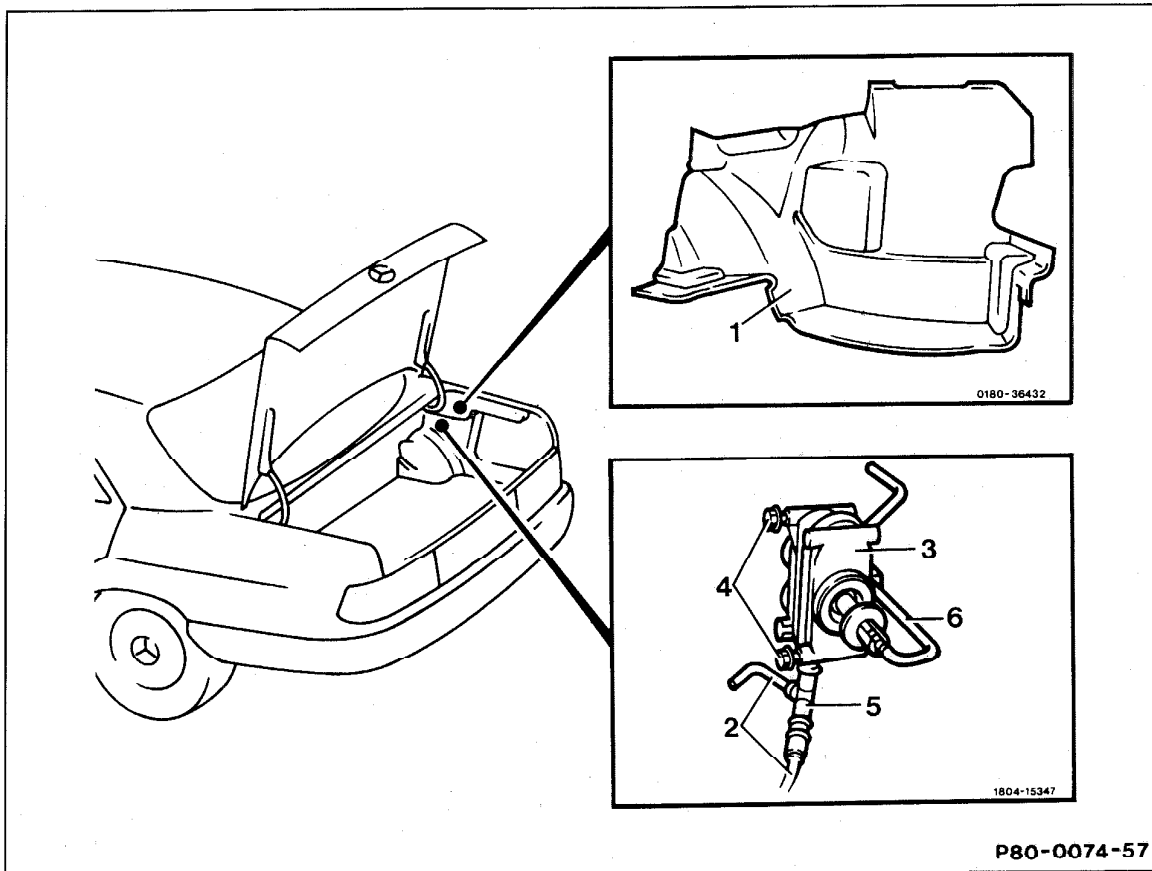


Preliminary work:
 Checking central locking system for leaks (80-120)

A. 1st and 2nd version up to vehicle identification end no.: 354 452

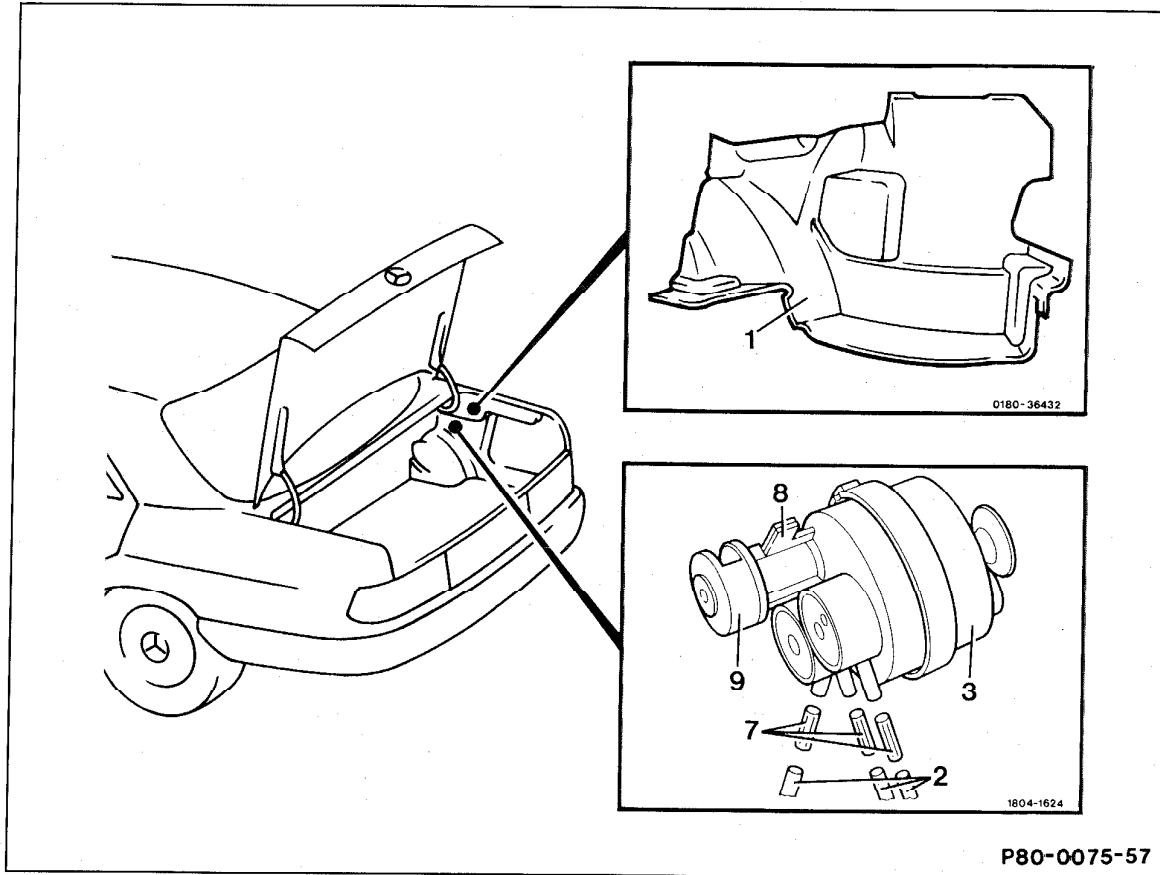


P80-0074-57

Lining (1) in the right trunk	Remove, install.
Pneumatic pipes (2)	Pull off, fit.
Screws (4)	Loosen, tighten.
Distribution fitting (5)	Check for damage.
Pneumatic function of the actuator (3)	Check (80-116).
Control rod (6)	Adjust, until the tip is at the same level as the control rod guide.

80-230 R and R tank flap actuator

B. 3rd version as of vehicle identification end no.: 354 453



P80-0075-57

P80-00/5-57

Lining in the trunk right	Remove, install.
Pneumatic pipes (2)	Pull off, fit.
Connection fittings (7)	Check for damage.
Attaching strap (8)	Push away for removal.
Pneumatic function of the actuator (3)	Check (80-116).
Actuator (3)	For installation engage in guide sleeve (9).