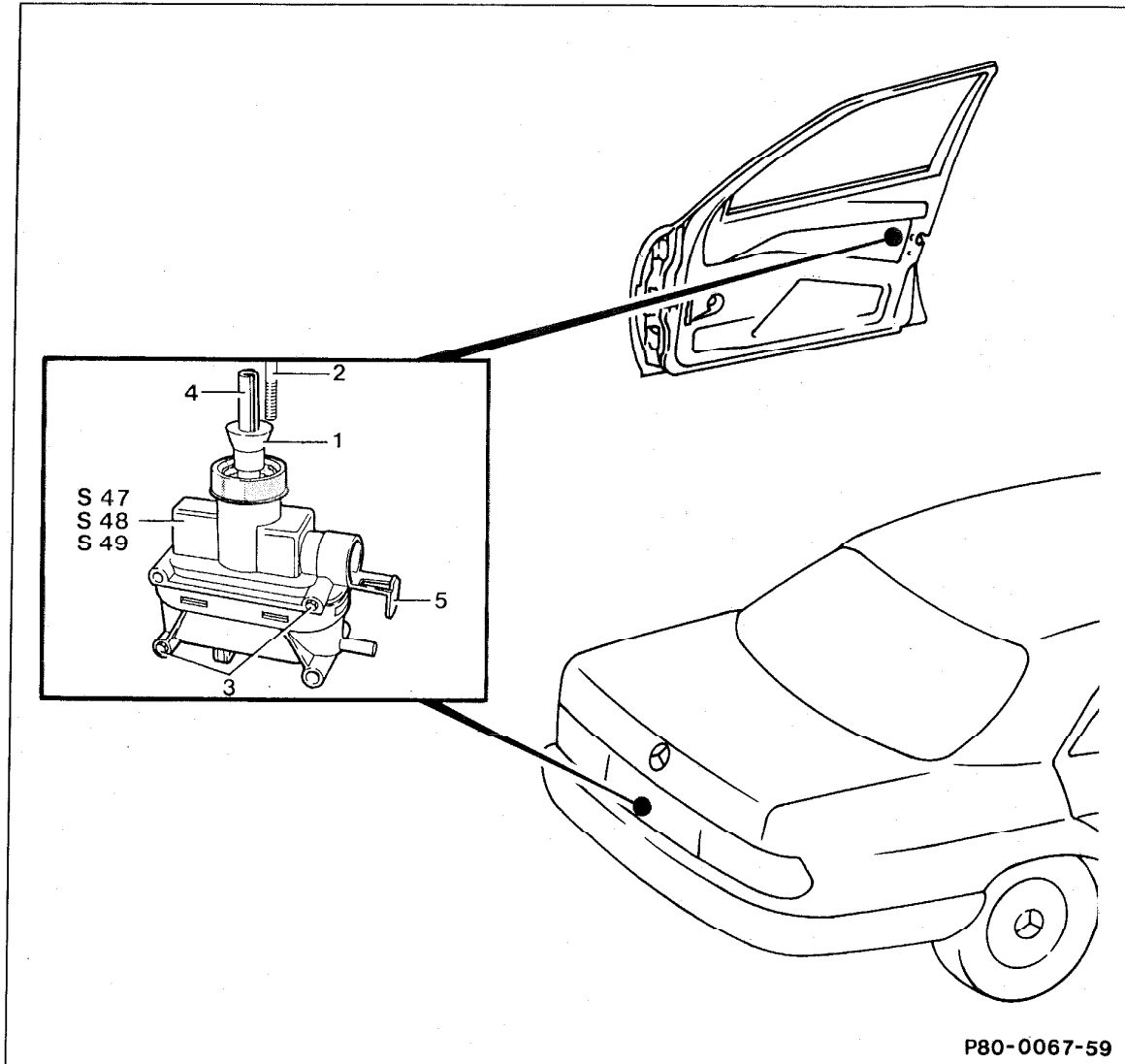


80-215 R and R door and trunk actuators (S47, S48, S49)

Preliminary work:

Checking electrical function of the central locking system(80-104)

Checking central locking system for leaks(80-120)



P80-0067-59

P80-0067-59

80-215 R and R door and trunk actuators (S47, S48, S49)

Door lining or trunk lining	Remove and install.
Sliding sleeve (1)	Push back.
Control rod (2)	Push out, push in.
Screws (3)	Loosen, tighten.
Actuator (S47, S48, S49)	Disconnect, connect.
Tension unloading lever (5)	Push away.
Electric cable and pneumatic pipe	Remove, fit.
Electric or pneumatic function of the actuator (S47, S48, S49)	Check (80-112) or (80-116).

Bring actuator (S47, S48, S49)

in installation position	Push sliding sleeve (1) fully back and pull control rod attachment (4) out until it engages. On the actuator for the trunk lid lock (S49), push control rod (2) fully away from the element.
Install	in reverse order.