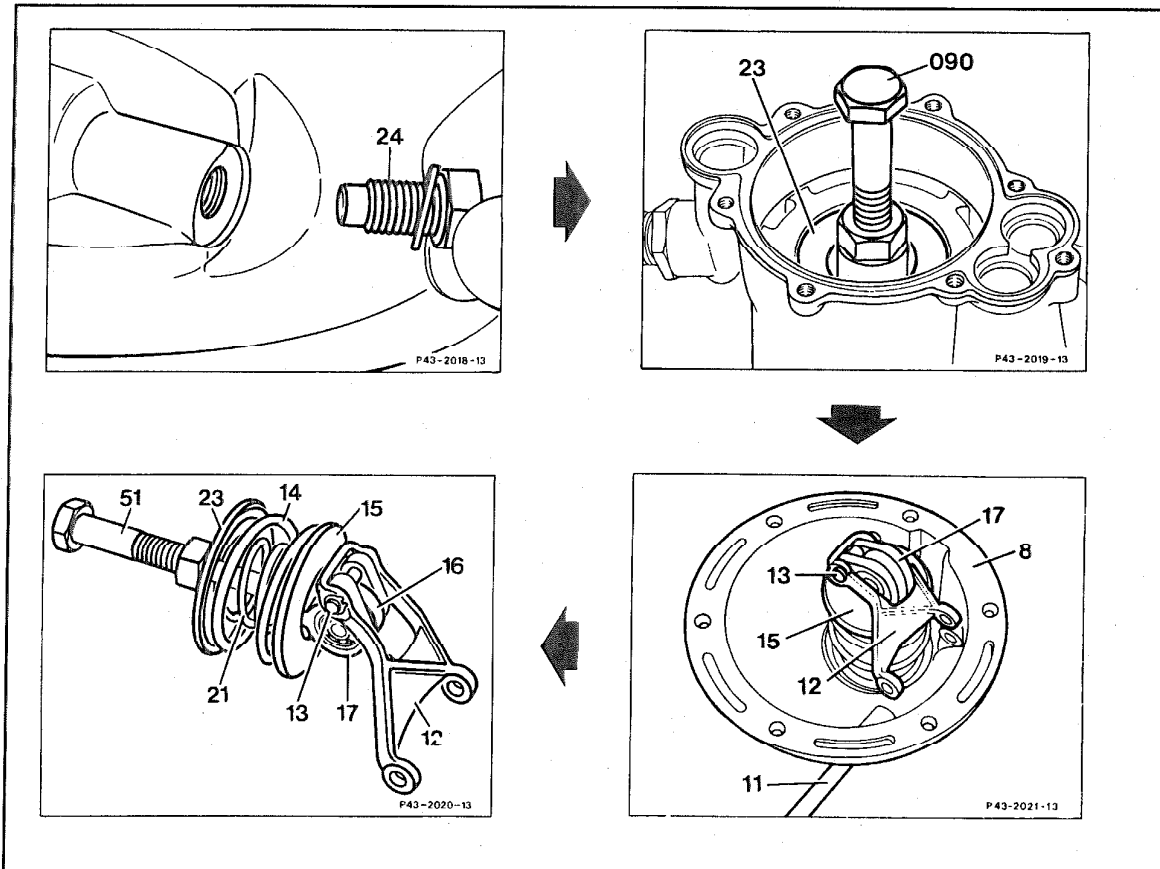


43-0635 Replacement of piston vacuum pump swing arm

Preliminary work:
Remove, install piston (42-0628).



P42-0253-57

- | | |
|---------------------------|---|
| Plug (24) | for swing arm, screw out, screw in. Use new sealing ring, coat plug with Loctite, 8-10 Nm. |
| Clamping tool (090) | screw onto piston rod. Turn threaded bushing down until spring package is compressed far enough to remove the pump from the assembly plate. |
| Shaft (11) | remove, install. |

43-0635 Replacement of piston vacuum pump swing arm

Piston rod (17), spring package (14, 15, 21, 23),
swing arm (12) and
clamping tool (51)

remove completely from pump housing.

Clamping tool (51)

screw off of piston rod (17), screw on. Remove
springs (14, 21) and spring plate (15, 23),
install. The swing arm with piston rod is
available only as a complete replacement part.
For this reason disassembly is not necessary.