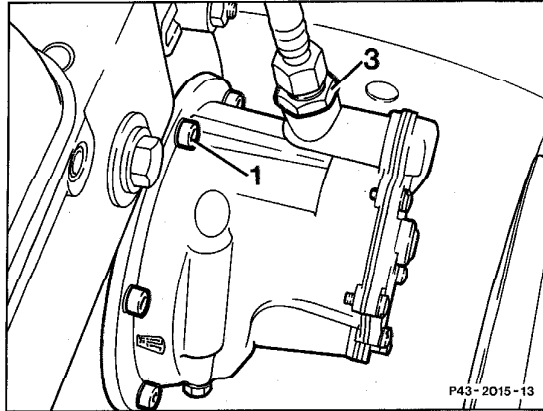


43-0618 R and R piston vacuum pump

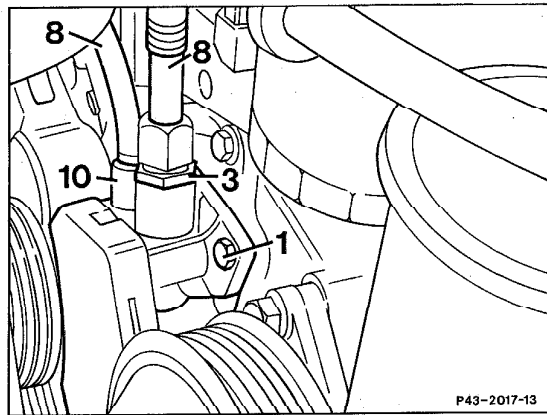
Preliminary work:
Remove visco-drive fan coupling (20-0312).

Piston vacuum pump
Engine 617.951



P43-2015-13

Piston vacuum pump
Engine 603.961



P43-2017-13

P43-2017-13

V-belts	remove (only on engine 603.961).
Vacuum line (8)	screw off, screw on, counterhold on threaded fitting (3).
Hex. head bolts (1)	screw out, screw in. Remove vacuum pump together with seal.
Vacuum pump	check for proper function (42-0660).