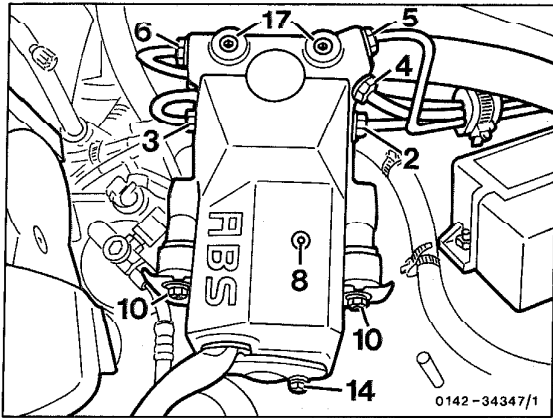
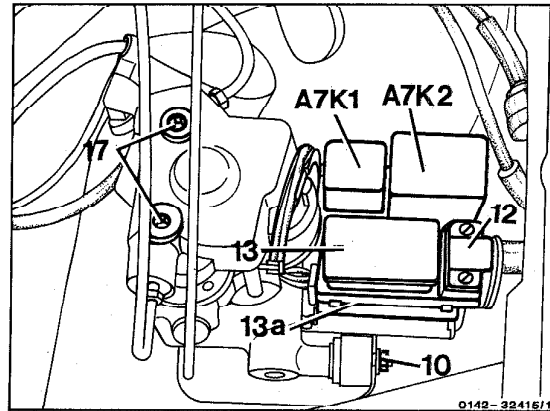


42-710 R and R motor and valve relays



0142-34347/1
0142-34347/1



0142-32415/1
0142-32415/1

⚠ CAUTION!

Only remove and install relays with the ignition switched off.

Hexagon socket screw (Torx) (8)

unscrew, remove plastic cover.

Valve relay (A7K1)

detach, install.

Motor relay (A7K2)

detach, install.

Note

Phased in as of the beginning of 1986 a modified hydraulic unit has been installed. The valve relay (A7K1) has six contact pins (previously 5) and contains the diode previously located in the plug socket of the hydraulic unit.

Commercially available tool

Screwdriver (Torx)

e. g. Hazet
D-5630 Remscheid
837 IT 15