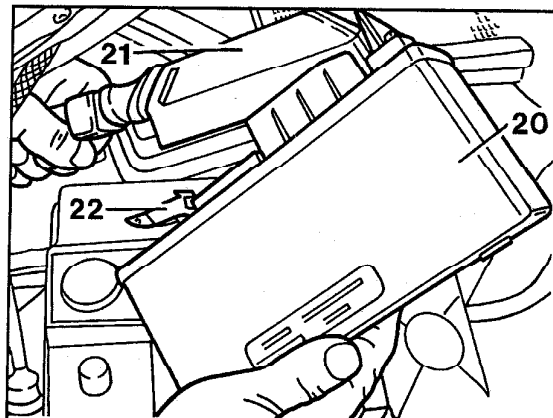
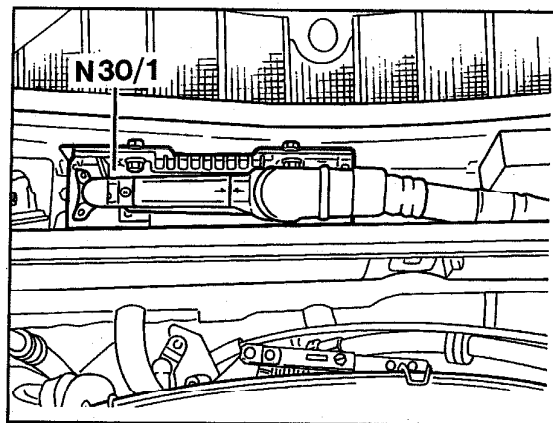


42-708 R and R ABS control module (N30)



P42-2328-13



P42-2101-13

⚠ CAUTION!	Only remove and install ABS control module (N30) with the ignition switched off.
Catch (22)	operate and detach plug from ABS control module. When the plug is fitted to the ABS control module (N30) ensure that it engages audibly in the catch.
ABS control module (N30)	remove from the bracket, install.
Test program	perform (42-720).

Note

Phased in as of 04/86 the ABS control modules are enclosed in a plastic housing instead of an aluminum housing. The control modules are interchangeable.