

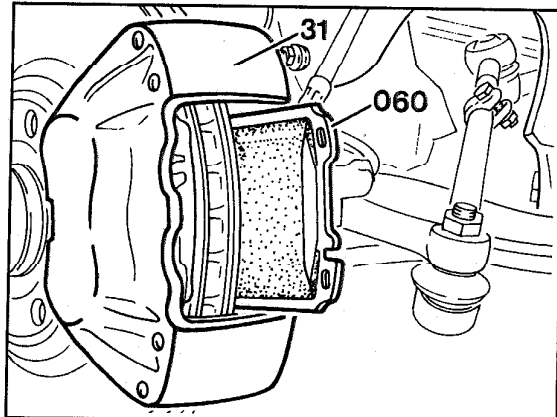
42-0260 Cleaning brake discs with cleaning pads

Preliminary work:

Remove brake pads on front axle or rear axle (42-0160).

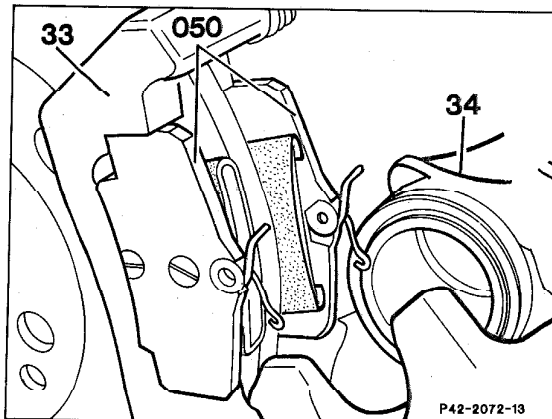
A. Front axle

Fixed caliper



P42-2047-13

Floating caliper



P42-2072-13

P42-2072-13

Cleaning pads (060 or 050)

install.

116 589 00 28 00 (fixed caliper)

126 589 00 28 00 (floating caliper)

⚠ WARNING!

It is no longer permissible to use cleaning pads with backing plate containing asbestos. Dispose of such pads immediately according to regulations.

It is now only permissible to use asbestos-free cleaning pads (code number next to part no.)

42-0260 Cleaning brake discs with cleaning pads

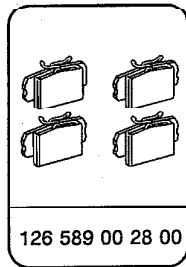
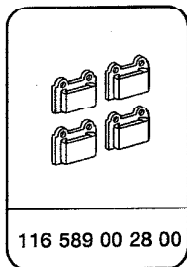
Brake disks (61) clean. Drive vehicle at speed of 30 km/h for a distance of 300 meters while pressing cleaning pads for a short time against the brake discs a number of times with slight foot pressure, not jerky, of approx. 50 N on brake pedal. Observe warning!

⚠ WARNING!

Optimum braking effect not present.

Cleaning pads replace with brake pads.

Special tools



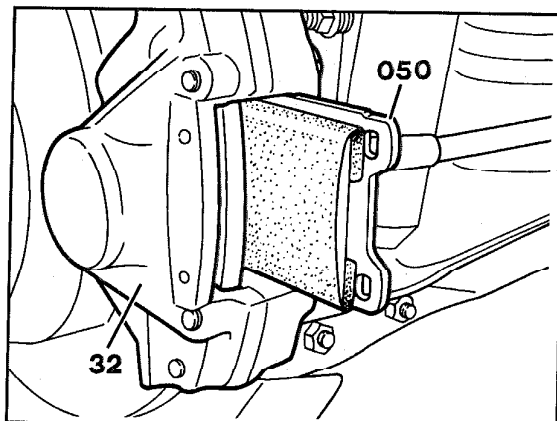
Note

When cleaning the brake discs while driving equip one axle only at a time with cleaning pads.

Dynamometers and brake testing equipment are not suitable due to the low speed and therefore insufficient cleaning effect.

42-0260 Cleaning brake discs with cleaning pads

B. Rear axle



P42-2040-13

Cleaning pads (050) 115 589 01 28 00 install.

⚠ WARNING!

It is no longer permissible to use cleaning pads with backing plate containing asbestos. Dispose of such pads immediately according to regulations.

Brake discs (62)

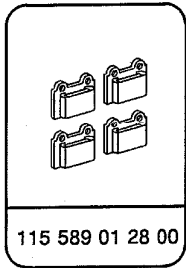
It is now only permissible to use asbestos-free cleaning pads (code number next to part no.) clean. Drive vehicle at speed of 30 km/h for a distance of 300 meters while pressing cleaning pads for a short time against the brake discs a number of times with slight foot pressure, not jerky, of approx. 50 N on brake pedal. Do not drive rear wheels with engine or other drive unit when car is jacked up under any circumstances. Observe warning!

⚠ WARNING!

Optimum braking effect not present.

42-0260 Cleaning brake discs with cleaning pads

Special tools



Note

When cleaning the brake discs while driving equip one axle only at a time with cleaning pads.

Dynamometers and brake testing equipment are not suitable due to the low speed and therefore insufficient cleaning effect.